

## Trapped Single Key Bolt Interlocks

The single key bolt interlock is used to lock on or off host electrical equipment such as large isolators or grounding units and as an interlock on sliding gates or hatches where part body access only is required.

- Direct drive push/pull operation
- 316 Stainless steel construction
- Fitted with tamper resistant screws
- Virtually maintenance free
- Weatherproof stainless steel dust cap as standard
- Screws may be applied from the rear for increased tamper resistance
- Conforms to EN292, EN1088 & GS ET 19



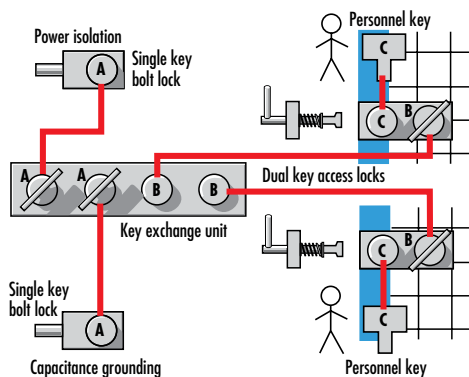
## Specifications

Ambient Temperature:	-40 to 200°C (-40 to 392°F)
Mechanical Operations:	>10 <sup>6</sup>
Max. Shear Force to Key:	15.1 kN
Max. Torque to Key:	14 Nm
Relative Operating Humidity:	25% to 95%
Weight:	SBL: (0.60 kg) 1.32 lb.)
Material:	316L stainless steel
Mounting:	SBL: 2 x 3/8 in. SBL: 2 x 3/8 in.
Code Barrels:	Tested to 1,000,000 operations
Bolt:	15 mmØ
Conforms to Standards:	Relevant clauses EN292, EN1088 & GS ET 19

Specifications are subject to change without notice.

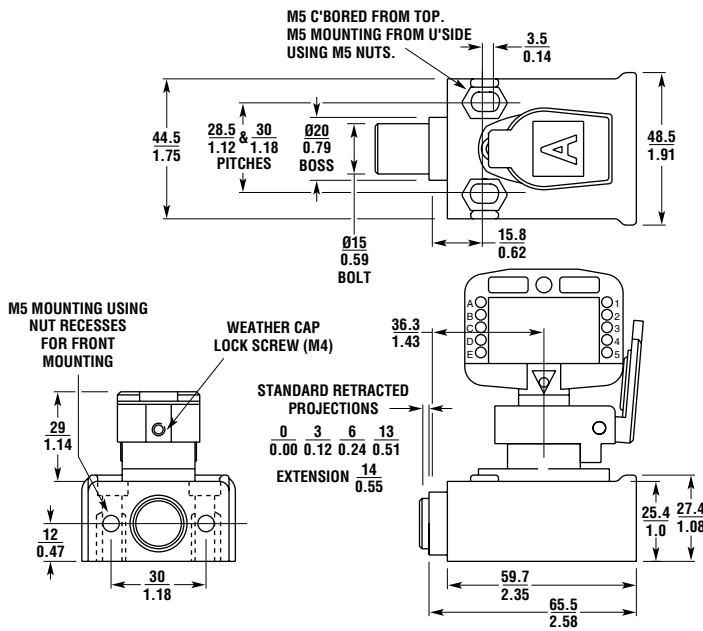
M

## Applications



# Dimensions

(mm/in.)



## Ordering

### Single Key Bolt Interlock

Type/Bolt Part No.	Projection	
	(Retracted)	(Extended)
SBL 10	0 mm (0 in.)	14 mm (0.55 in.)
SBL 11	3 mm (0.12 in.)	17 mm (0.67 in.)
SBL 12	6 mm (0.24 in.)	20 mm (0.79 in.)
SBL 13	13 mm (0.51 in.)	27 mm (1.06 in.)

Codes 'A' to 'Z' available excluding the letter 'Q'. To specify coding, add the key code of your choice from the Key Code Table to the part no. from the Ordering Table, i.e. SBL11(A) is a single key bolt interlock with primary 'A' key. **Key ordered separately.**

### Key Codes

(....) = Primary key / key free  
[....] = Secondary key / key trapped

Codes						
A	Aa	Ab	Ac	Ad	Ae	Af
B	Ba	Bb	Bc	Bd	Be	Bf
C	Ca	Cb	Cc	Cd	Ce	Cf
D	Da	Db	Dc	Dd	De	Df
E	Ea	Eb	Ec	Ed	Ee	Ef
F	Fa	Fb	Fc	Fd	Fe	Ff
G	Ga	Gb	Gc	Gd	Ge	Gf
H	Ha	Hb	Hc	Hd	He	Hf
I	Ia	Ib	Ic	Id	Ie	If
J	Ja	Jb	Jc	Jd	Je	Jf
K	Ka	Kb	Kc	Kd	Ke	Kf
L	La	Lb	Lc	Ld	Le	Lf
M	Ma	Mb	Mc	Md	Me	Mf
N	Na	Nb	Nc	Nd	Ne	Nf
O	Oa	Ob	Oc	Od	Oe	Of
P	Pa	Pb	Pc	Pd	Pe	Pf
R	Ra	Rb	Rc	Rd	Re	Rf
S	Sa	Sb	Sc	Sd	Se	Sf
T	Ta	Tb	Tc	Td	Te	Tf
U	Ua	Ub	Uc	Ud	Ue	Uf
V	Va	Vb	Vc	Vd	Ve	Vf
W	Wa	Wb	Wc	Wd	We	Wf
X	Xa	Xb	Xc	Xd	Xe	Xf
Y	Ya	Yb	Yc	Yd	Ye	Yf
Z	Za	Zb	Zc	Zd	Ze	Zf

For coding details and referencing, see page M5.

To order keys, see Accessories on page M30.

**OMRON AUTOMATION AND SAFETY • THE AMERICAS HEADQUARTERS** • Chicago, IL USA • 847.843.7900 • 800.556.6766 • [www.omron247.com](http://www.omron247.com)

**OMRON CANADA, INC. • HEAD OFFICE**

Toronto, ON, Canada • 416.286.6465 • 866.986.6766 • [www.omron247.com](http://www.omron247.com)

**OMRON ELECTRONICS DE MEXICO • HEAD OFFICE**

México DF • 52.55.59.01.43.00 • 01-800-226-6766 • [mela@omron.com](mailto:mela@omron.com)

**OMRON ELECTRONICS DE MEXICO • SALES OFFICE**

Apodaca, N.L. • 52.81.11.56.99.20 • 01-800-226-6766 • [mela@omron.com](mailto:mela@omron.com)

**OMRON ELETRÔNICA DO BRASIL LTDA • HEAD OFFICE**

São Paulo, SP, Brasil • 55.11.2101.6300 • [www.omron.com.br](http://www.omron.com.br)

**OMRON ARGENTINA • SALES OFFICE**

Cono Sur • 54.11.4783.5300

**OMRON CHILE • SALES OFFICE**

Santiago • 56.9.9917.3920

**OTHER OMRON LATIN AMERICA SALES**

54.11.4783.5300

**OMRON EUROPE B.V.** • Wegalaan 67-69, NL-2132 JD, Hoofddorp, The Netherlands. • +31 (0) 23 568 13 00 • [www.industrial.omron.eu](http://www.industrial.omron.eu)

*Authorized Distributor:*

**Automation Control Systems**

- Machine Automation Controllers (MAC) • Programmable Controllers (PLC)
- Operator interfaces (HMI) • Distributed I/O • Software

**Drives & Motion Controls**

- Servo & AC Drives • Motion Controllers & Encoders

**Temperature & Process Controllers**

- Single and Multi-loop Controllers

**Sensors & Vision**

- Proximity Sensors • Photoelectric Sensors • Fiber-Optic Sensors
- Amplified Photomicrosensors • Measurement Sensors
- Ultrasonic Sensors • Vision Sensors

**Industrial Components**

- RFID/Code Readers • Relays • Pushbuttons & Indicators
- Limit and Basic Switches • Timers • Counters • Metering Devices
- Power Supplies

**Safety**

- Laser Scanners • Safety Mats • Edges and Bumpers • Programmable Safety Controllers • Light Curtains • Safety Relays • Safety Interlock Switches