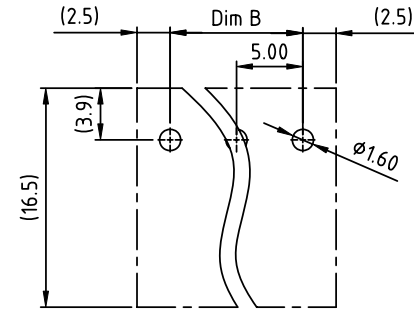
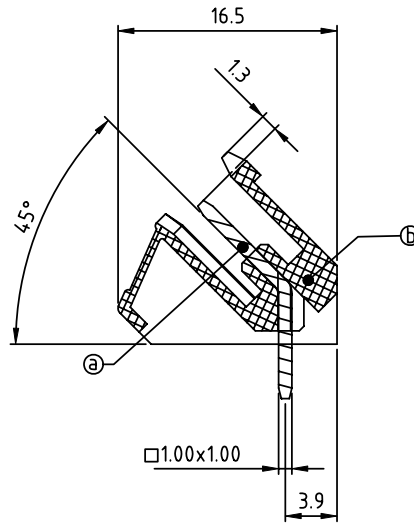
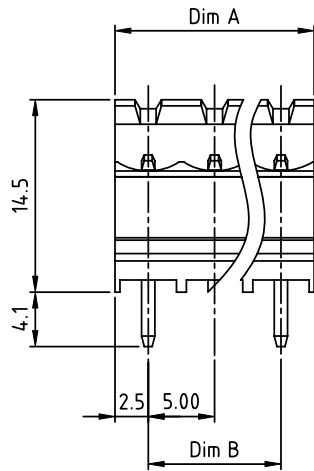
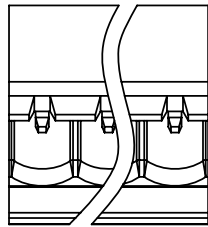


PRODUCT NUMBER	PITCH
VKxx70x000J0G	5.00 mm



RECOMMENDED P.C.B LAYOUT  
TOP VIEW

Material:

- Item ① Male contact pin: Copper Tin plated
- Item ② Terminal (housing): Thermoplastic (UL94V-0)

Electrical:

- cULus /VDE/TUV
- Voltage rating: 300V/300V/300V
- Current rating: 15A/17A/20A
- Withstanding Voltage: 1.6 KV/2.5KV/2.5KV
- Operating temperature: -40°C to +115°C
- Soldering temperature: 260°C±5°C/5 Sec
- Safety Approval:

N = Number of poles  
Dim A=Nx5.0  
Dim B=(N-1)x5.0

Poles	Tolerance
2-6p	±0.15
7-12p	±0.20
13-18p	±0.30
19-24p	±0.40

PART NO.: VK xx 70 x 0 00J0 G

Solid block	No. of poles	Color	RoHS compliant
0	2	Black (RAL9005)	(lead<4%) In copper Alloy
02	2 poles	Red (RAL3001/D)	
03	3 poles	Orange(RAL2011/P)	
...	...	4 Yellow(RAL1018/A)	
...	...	5 Green(RAL6018/T)	
24	24 poles	6 Blue (RAL5015/A)	
		8 Grey(RAL7035/D)	
		9 White(RAL1102)	
		C Green(RAL6018/U)	

mat'l. code		surface ASME Y14.5	tolerance ASME Y14.5	projection 	product family TERMINAL BLOCK
ltr	ecn no	dr	date		title TERMINAL BLOCK
				tolerances unless otherwise specified	PLUGGABLE SOCKET, OPEN, 45DEGREE, WITHOUT FLANGE
				angles X±0.5	scale
				flatness X.X±0.3	MM
				total run out X*±1*	X.XX±0.1
		dr	EVIN ZHONG	042214	FCI
		enrg	EVIN ZHONG	042214	dwg no
		chr	HANKE FENG	042214	VKxx70x000J0G
		appd	SHI JUN	042214	sheet 1 of 1
					size A4
sheet index	revision	A			type CUSTOMER Drawing
	sheet	1			