

4

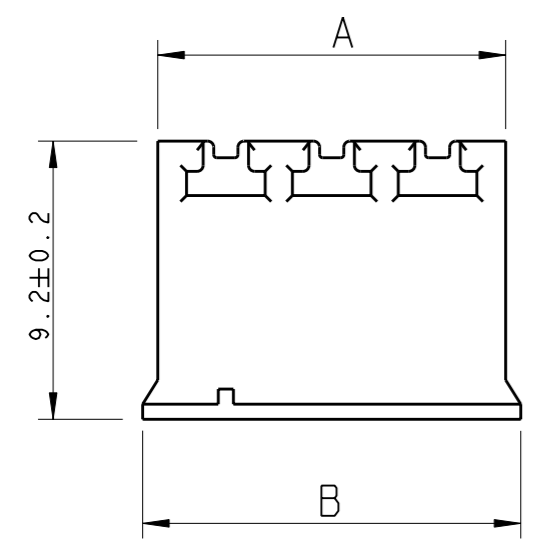
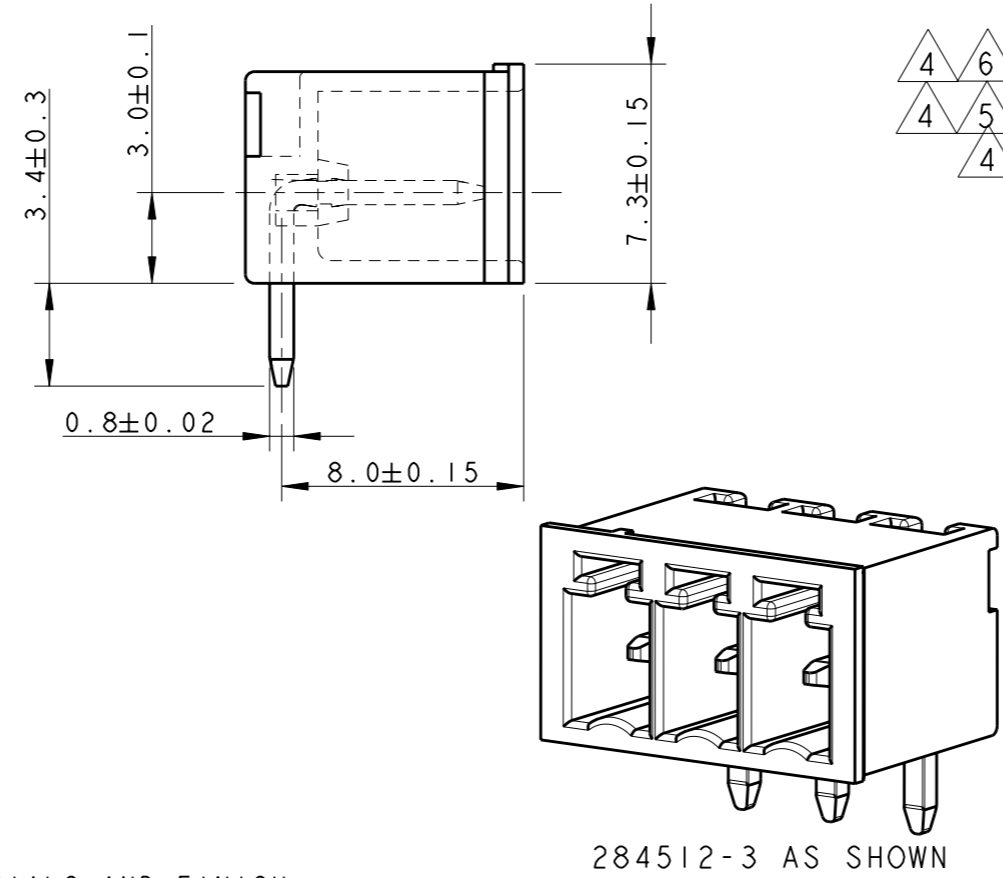
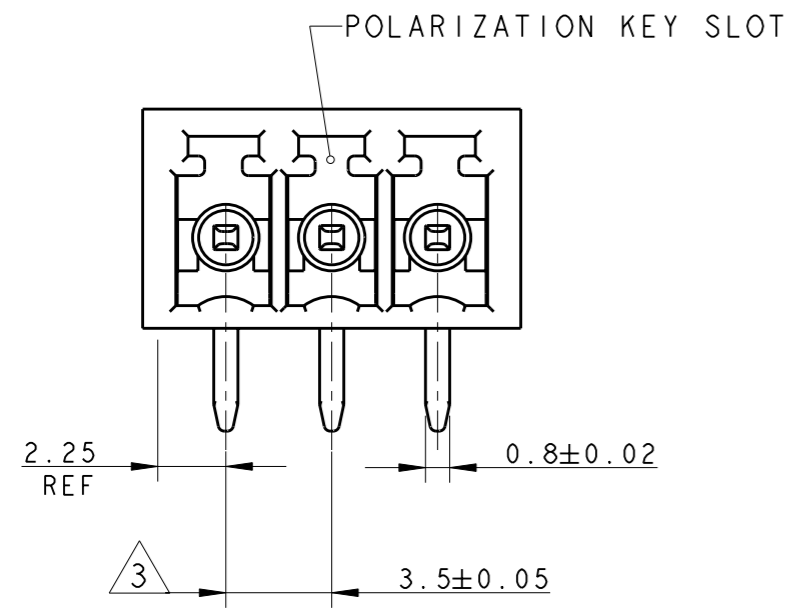
3

2

1

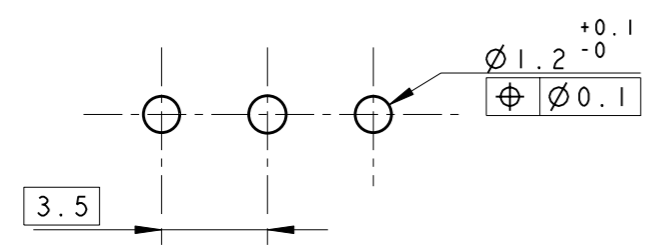
THIS DRAWING IS UNPUBLISHED. RELEASED FOR PUBLICATION 20
 © COPYRIGHT 20 BY - ALL RIGHTS RESERVED.

LOC	DIST	REVISIONS			
P	LTR	DESCRIPTION	DATE	DWN	APVD
FT	0	E3	REVISED PER ECO-11-004587	11MAR2011	RK HMR



- 1 MATERIALS AND FINISH
HOUSING : PA 6.6, UL 94-V0, COLOR GREEN
TERMINAL : PHOSPHOR BRONZE, PLATING: SEE TABLE.
- 2. SUITABLE FOR 1.6-2.4 mm. PC BOARD THICKNESS
- 3 NOT CUMULATIVE TOLERANCE
- 4 PRELIMINARY - NOT FOR PRODUCTION.
- 5 SPECIAL CODING LOCATED AT POSITION 2.
PART TO BE MATED WITH 2-284506-9.
- 6 SPECIAL CODING LOCATED AT POSITION 1 AND 2.
PART TO BE MATED WITH 3-284506-0.

LOC	DIST	DESCRIPTION	DATE	DWN	APVD	
4	6	TIN	12.5	11.5	3	3-284512-9
4	5	TIN	12.5	11.5	3	3-284512-8
4	4	GOLD FLASH	26.5	25.5	7	3-284512-6
		0.2 MICRON GOLD	44.0	43.0	12	3-284512-5
		TIN	16.0	15.0	4	3-284512-4
		TIN	12.5	11.5	3	3-284512-3
		TIN	89.5	88.5	25	2-284512-5
		TIN	86.0	85.0	24	2-284512-4
		TIN	82.5	81.5	23	2-284512-3
		TIN	79.0	78.0	22	2-284512-2
		TIN	75.5	74.5	21	2-284512-1
		TIN	72.0	71.0	20	2-284512-0
		TIN	68.5	67.5	19	1-284512-9
		TIN	65.0	64.0	18	1-284512-8
		TIN	61.5	60.5	17	1-284512-7
		TIN	58.0	57.0	16	1-284512-6
		TIN	54.5	53.5	15	1-284512-5
		TIN	51.0	50.0	14	1-284512-4
		TIN	47.5	46.5	13	1-284512-3
		TIN	44.0	43.0	12	1-284512-2
		TIN	40.5	39.5	11	1-284512-1
		TIN	37.0	36.0	10	1-284512-0
		TIN	33.5	32.5	9	284512-9
		TIN	30.0	29.0	8	284512-8
		TIN	26.5	25.5	7	284512-7
		TIN	23.0	22.0	6	284512-6
		TIN	19.5	18.5	5	284512-5
		TIN	16.0	15.0	4	284512-4
		TIN	12.5	11.5	3	284512-3
		TIN	9.0	8.0	2	284512-2
TERMINAL PLATING		B	A	NO OF POSN	PART NUMBER	



THIS DRAWING IS A CONTROLLED DOCUMENT.

DIMENSIONS: mm	TOLERANCES UNLESS OTHERWISE SPECIFIED:	DWN E. ZANOLINI 06FEB2002	TE Connectivity TERMINAL BLOCK, HEADER ASSEMBLY 90 DEGREE, CLOSED ENDS 3.5mm PITCH
	0 PLC ±.3	CHK E. ZANOLINI 06FEB2002	
	1 PLC ±.25	APVD D. BIEVENOUR 06FEB2002	
	2 PLC ±.25	PRODUCT SPEC 108-20166	
	3 PLC ±.	APPLICATION SPEC 114-20079	SIZE A3
	4 PLC ±.	WEIGHT -	CAGE CODE 00779
	ANGLES ±2		DRAWING NO C-284512
MATERIAL 1	FINISH 1	CUSTOMER DRAWING	RESTRICTED TO -
SCALE 4:1			SHEET 1 OF 1
			REV E3