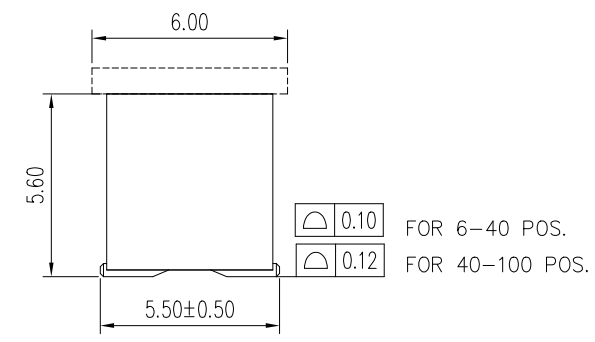


TABLE 1 ,DIM INFORMATION

DASH No.	Dim.	Amount of Pins	Dim.A	Dim.B
-00X 06 XX LF	06	06	2.54	10.11
-00X 08 XX LF	08	08	3.81	11.38
-00X 10 XX LF	10	10	5.08	12.65
-00X 12 XX LF	12	12	6.35	13.92
-00X 14 XX LF	14	14	7.62	15.19
-00X 16 XX LF	16	16	8.89	16.46
-00X 20 XX LF	20	20	11.43	19.00
-00X 22 XX LF	22	22	12.70	20.27
-00X 26 XX LF	26	26	15.24	22.81

DASH No.	Dim.	Amount of Pins	Dim.A	Dim.B
-00X 30 XX LF	30	30	17.78	25.35
-00X 34 XX LF	34	34	20.32	27.89
-00X 40 XX LF	40	40	24.13	31.70
-00X 44 XX LF	44	44	26.67	34.24
-00X 50 XX LF	50	50	30.48	38.05
-00X 60 XX LF	60	60	36.83	44.40
-00X 64 XX LF	64	64	39.37	46.94
-00X 68 XX LF	68	68	41.91	49.48
-00X 80 XX LF	80	80	49.53	57.10
-00X A0 XX LF	100	100	62.23	69.90

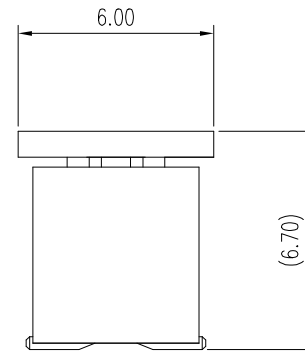
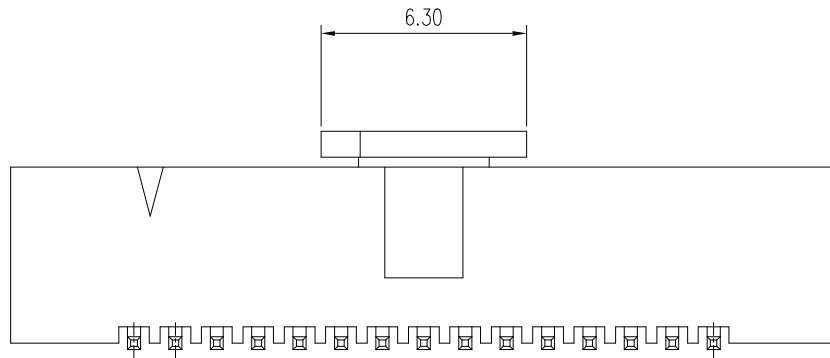
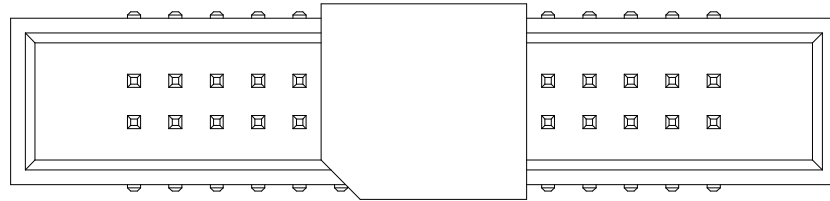


DIM. A	2-60 PINS	± 0.20
	62-100 PINS	± 0.30

mat'l. code		surface ISO 1302 ✓		tolerance ISO 406 ISO 1101		projection		product family	
ltr		ecn no		dr		date		MINITEK	
H		ELX-N-011951		ZK		2012-06-15		title	
J		ELX-N-14099		TIM		2013-02-25		1.27X1.27MM BTB HEADER SHROUDED SMT	
K		ELX-N-17601		TIM		2014-04-30		dwg no	
L		ELX-N-19182		TIM		2014-10-24		sheet 1 of 2	
M		ELX-N-28314		TONY		2017-10-31		size	
N		ELX-N-28945		TONY		2018-03-13		A3	
				appd		JOSEPH		2009-09-15	
sheet index		revision sheet		N N		1 2		type Product Customer Drawing	

NOTE:

- 1. MATERIAL:
HOUSING: HIGH TEMP PLASTIC, UL94-V0, BLACK
TERMINAL: COPPER ALLOY, SQ=0.40±0.03MM
- 2. FINISH:
TERMINAL: SEE PN STRUCTURE.
- 3. SPEC.:
PRODUCT SPEC: GS-12-629
PACKING SPEC: GS-14-1420
- 4. THE HSG. WILL WITHSTAND EXPOSURE TO 260C
PEAK TEMP. FOR 10 SEC. IN A CONVECTION, INFRA-RED
OR VAPOR PHASE REFLOW OVEN.
- 5. PRODUCT NUMBERING:
20021521 - 0 0 X XX X X LF



- LEAD FREE
- PLATING:
1: GOLD FLASH, ALL OVER
4: 0.25um(10U")GOLD AT CONTACT
8: 0.76um(30U")GOLD AT CONTACT
9: 1u" GOLD OVER 30u" PdNi AT CONTACT
- PACKING
T: TUBE
D: TUBE+CAP
C: TAPE&REEL+CAP(P:12mm)
E: TAPE&REEL+CAP(P:16mm)
Q: TAPE&REEL W/O CAP(P:12mm)
- PIN COUNT
SEE TABLE 1
- CONFIG
0: NO CAP OR WITH NYLON CAP
1: WITH LCP CAP

CONFIG 1: 20021521-001XXXXLF
WITH EDGE CUT CAP, OTHER DIMENSIONS SEE SHEET 1

mat'l. code		surface ISO 1302 ✓		tolerance ISO 406 ISO 1101		projection		product family	
ltr		ecn no		dr		date		MINITEK	
								title	
								1.27X1.27MM BTB HEADER SHROUDED SMT	
								dwg no	
								sheet 2 of 2	
								size	
								A3	
								type	
								Product Customer Drawing	
sheet index		revision sheet		N N		1 2			