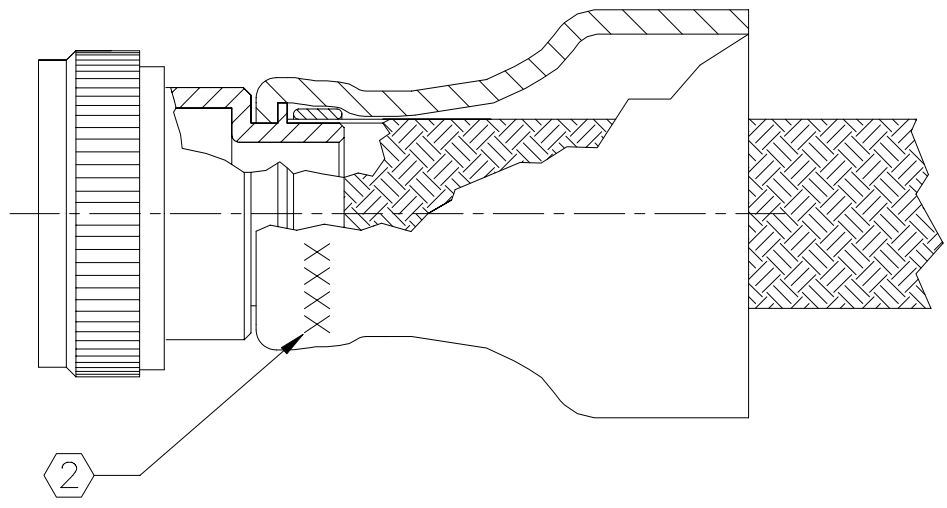


REVISIONS			
LTR	DESCRIPTION	DATE	APPROVED
C	REVISED AND REDRAWN ON CAD PER DCR NO.AD97010	4/11/97	GMR



STRAIGHT ADAPTER  
WITH BOOT ATTACHED

NOTES:

- FOR ADDITIONAL DIMENSIONS, ORDERING INFORMATION AND MODIFICATIONS, SEE CH00-0250-010.
- ADAPTER/BOOT ASSEMBLY TO BE PERMANENTLY MARKED IN AREA SHOWN WITH CODE IDENT. NO. AND PART NO. (E.G. 06090-HWS-38-16) IN ACCORDANCE WITH MIL-STD-130.
- ADAPTER MATES TO MIL-C-38999 SERIES I (17 SHELL) AND SERIES II (16 SHELL) MS27474-T16 CONNECTORS.
- ADAPTER MATERIAL: ALUMINUM ALLOY PER QQ-A-225.
- ADAPTER FINISH: ELECTROLESS NICKEL PER MIL-C-26074, CLASS 3 OR 4, GRADE A.

If this document is printed it becomes uncontrolled.  
Check with document control for latest revision.

SPECIFICATION CONTROL DRAWING

UNLESS OTHERWISE SPECIFIED  
DIMENSIONS ARE IN INCHES.  
METRIC DIMENSIONS ARE  
IN BRACKETS.

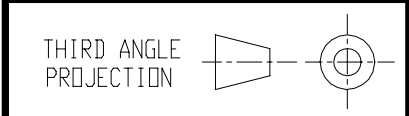
DECIMALS  
.XXX ± — [ mm]  
.XX ± — [ mm]  
.X ± — [ mm]

ANGLES  
.X ± —

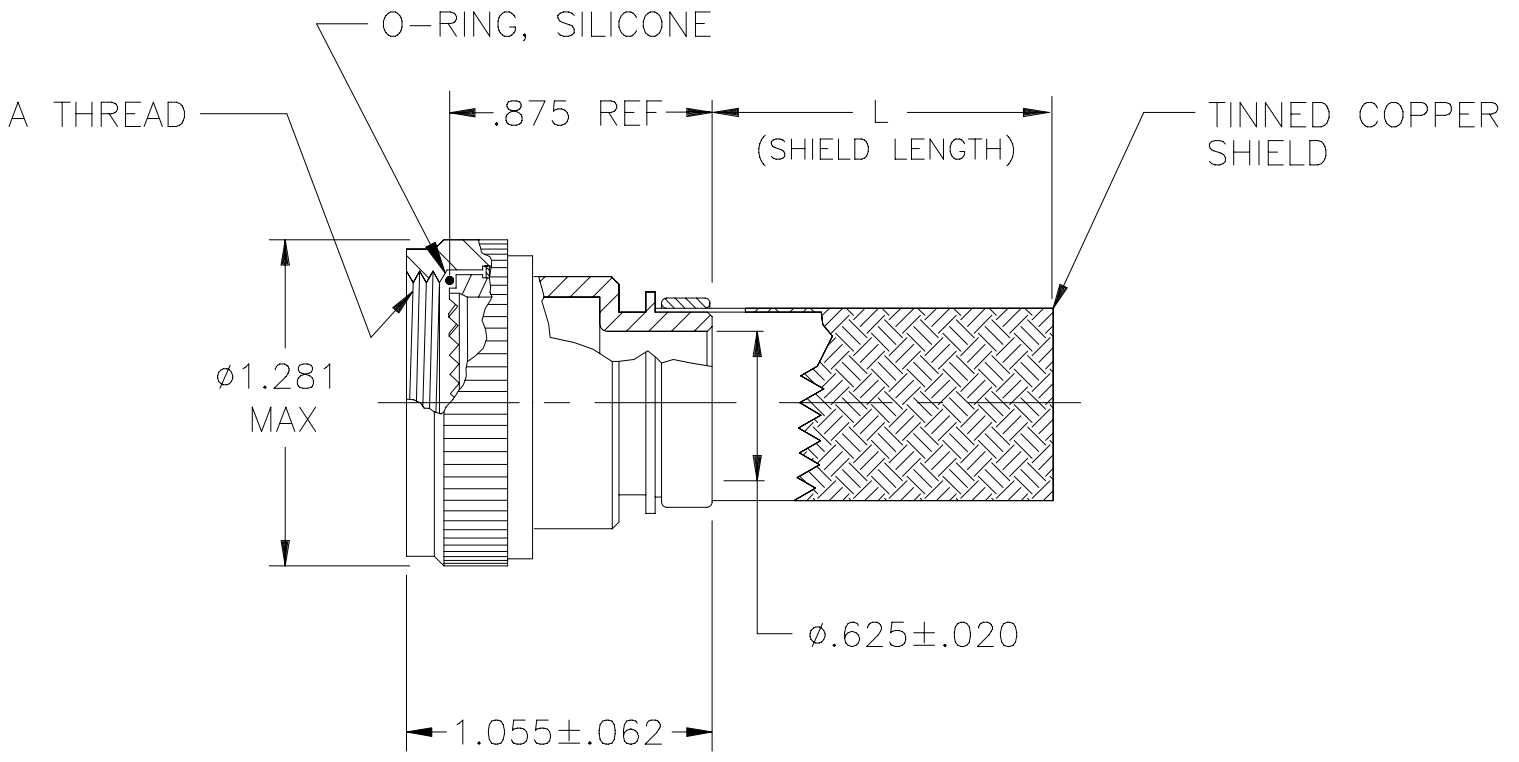
DRAWN G. ROSITANO	DATE 4/8/97
CHECKED	DATE
APPROVED	DATE
APPROVED W.C. GAY	DATE 4/11/97
CAD NAME ADAPTERS\HWS38-1	

**Raychem** RAYCHEM CORPORATION  
300 CONSTITUTION DRIVE  
MENLO PARK, CALIFORNIA 94025

TITLE ADAPTER, SHIELD, STRAIGHT WITH HEAT SHRINKABLE BOOT			
---	--	--	--



SIZE A	CODE IDENT. NO. 06090	DWG. NO. HWS-38-16-S	REV C
DO NOT SCALE THIS DWG		SHEET 1 OF 2	



RAYCHEM ADAPTER  
(RAYCHEM BOOT OMITTED FOR CLARITY)

RAYCHEM PART NUMBER	SHELL SIZE $\text{\textcircled{3}}$		RAYCHEM ADAPTER PART NUMBER	RAYCHEM BOOT PART NUMBER	L MIN	A R.H. THREAD CLASS 2B
	SER I	SER II				
HWS-38-16-S	17	16	204M016-19D10	202D232-4	6	.938-20 UNEF
HWS-38-16-S-12	17	16	204M016-19D1012	202D232-4	12	.938-20 UNEF
HWS-38-16-S-48	17	16	204M016-19D1048	202D232-4	48	.938-20 UNEF

If this document is printed it becomes uncontrolled.  
Check with document control for latest revision.

SIZE	CODE IDENT. NO.	DWG. NO.	REV
A	06090	HWS-38-16-S	C
DO NOT SCALE THIS DWG		CAD NAME ADAPTERS\HWS38-2	SHEET 2 OF 2