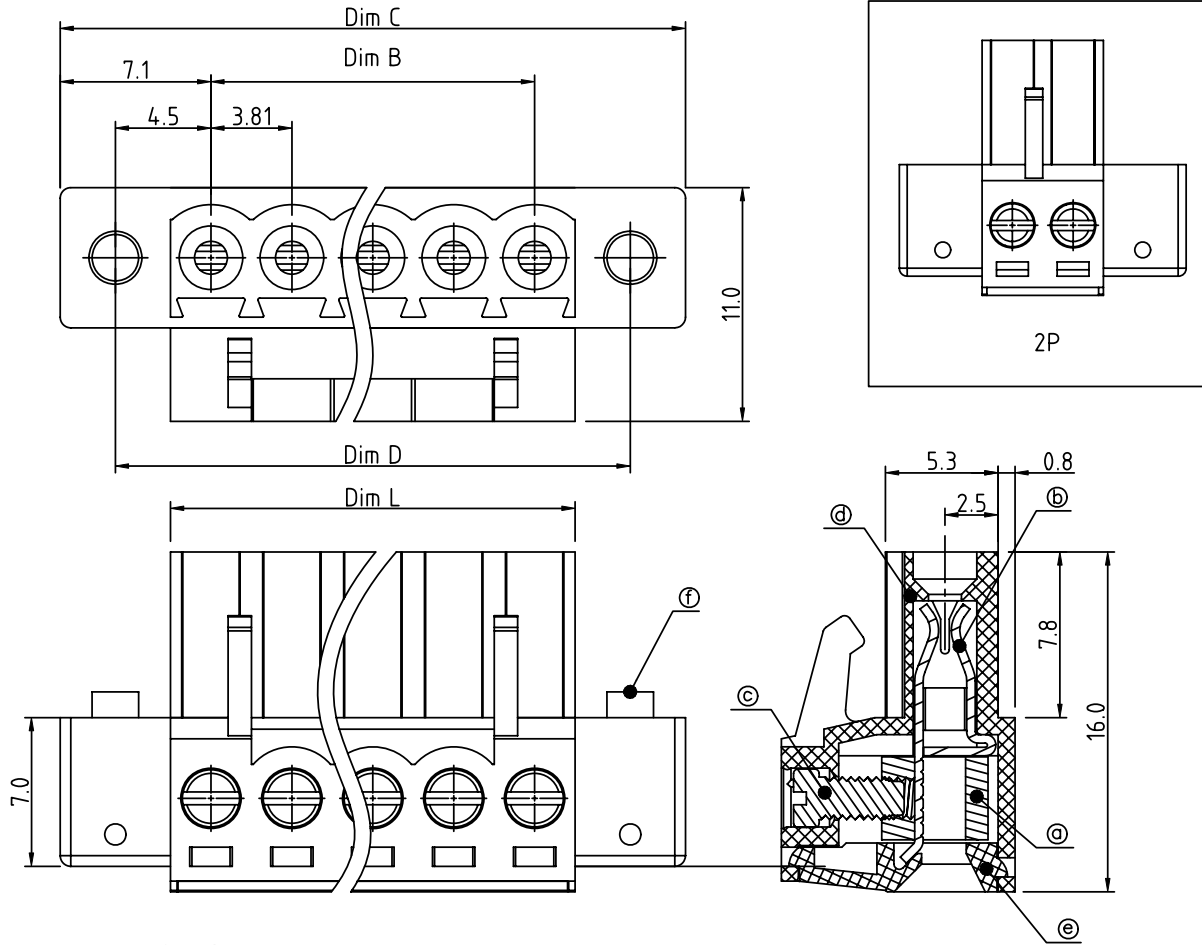


PRODUCT NUMBER	PITCH
VDxx31x200J0G	3.81 mm



Material

- Item ① Clamp: Brass (CuZn) Ni plated
- Item ② Female contact :PhBz(CuSn) Tin plated
- Item ③ Terminal screw:Steel Zinc plating"-slot type
- Item ④ Terminal (housing):Thermoplastic (UL94V-0)
- Item ⑤ Terminal cover:Thermoplastic (UL94V-0)
- Item ⑦ With flange screw: Steel Zinc plating "+/-"slot type M2.5

Electrical cULus

- Voltage rating:300V
- Current rating:8A
- Wire range:
- Solid wire(AWG):16-28
- Stranded wire(AWG):16-28
- Torque(Lb-In):1.7
- Screw:M2
- Wire strip length:6-7mm
- Withstanding Voltage:1.6KV
- Operating temperature:-40°C to +115°C
- Safety Approval:

N=NUMBER OF POLES

Dim L=N×3.81
Dim B=(N-1)×3.81
Dim C=(N-1)×3.81+14.2
Dim D=(N-1)×3.81+9.0

POLES	Tolerance
2P-5P	±0.15
6P-10P	±0.20
11P-15P	±0.25
16P-20P	±0.30
21P-24P	±0.35

PART NO.: VD xx 31 x 2 00J0 G

Solid block	0	Black (RAL9005)	RoHS compliant (lead<4%) In copper Alloy
No. of poles	2	Red (RAL3001/D)	
02	2 poles	3 Orange(RAL2011/P)	
03	3 poles	4 Yellow(RAL1018/A)	
...	...	5 Green(RAL6018/T)	
24	24 poles	6 Blue (RAL5015/A)	
		8 Grey(RAL7035/D)	
		9 White(RAL1102)	
		C Green(RAL6018/U)	

mat'l. code	surface ASME Y14.5	tolerance ASME Y14.5	projection 	product family TERMINAL BLOCK
ltr	ecn	no	dr	date
tolerances unless otherwise specified			title TERMINAL BLOCK PLUGGABLE PLUG, WITH FLANGE	
angles	0	X.±0.5	scale MM	
0	1	X.X±0.3	scale	
X°±1'		X.XX±0.1	scale	
dr	EVIN ZHONG	041714		dwg no sheet 1 of 1
engr	EVIN ZHONG	041714		size A4
chr	HANKE FENG	041714		type CUSTOMER Drawing
appd	SHI JUN	041714		
sheet index	revision	A		
	sheet	1		