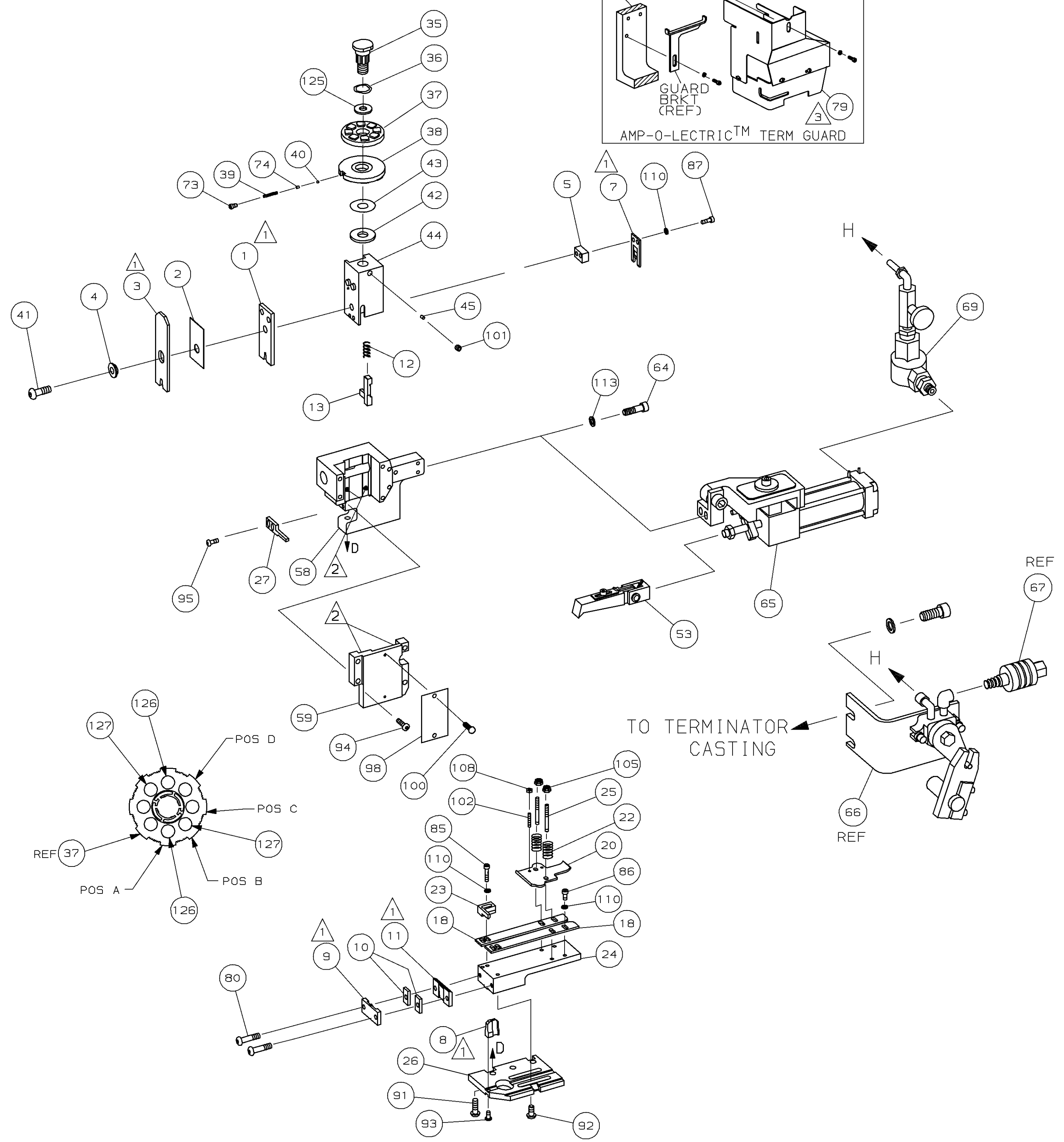
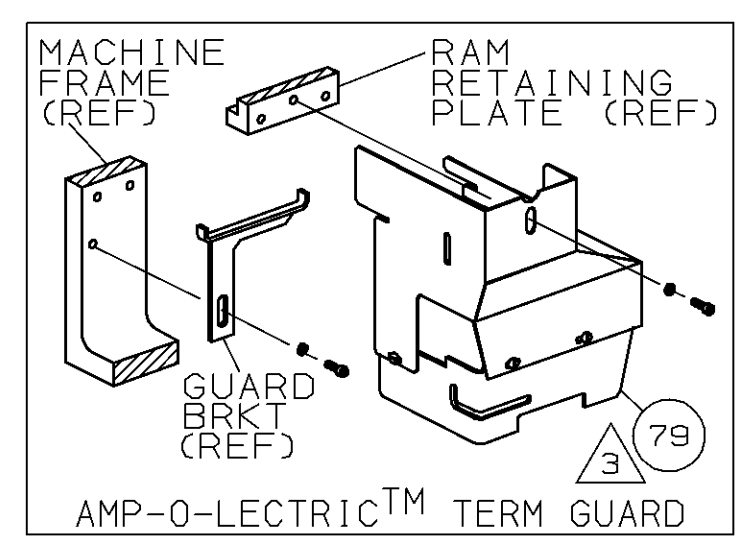


PART NUMBER	REV	FIRST USED
466307-5	H	565435-5



- 1 RECOMMENDED SPARE PARTS.
- 2 GREASE LIGHTLY.
- 3 GUARD MUST BE IN PLACE WHEN OPERATING APPLICATOR IN A BENCH MACHINE.
- 4 SEE DRAWING FOR COMPONENTS
- 5 DO NOT USE LUBRICANT ON TERMINAL STRIP.
- 6 FEED ON INSULATION BARREL.

TERMINAL NAME: CLUSTER PIN RECEPTACLE			
42670			
42072			
PAD LTR	CRIMP HEIGHT	WIRE SIZE	
A	.065 ± .002 [1.65 ± 0.05mm]	16	
B	.058 ± .002 [1.47 ± 0.05mm]	18	
C	NOT	USED	
D	NOT	USED	
CRIMP	SIZE	TYPE	RANGE
WIRE	.090 [2.29mm]	F	18-16
INSUL	.155 [3.94mm]	F	.070-.160
WIRE STRIP LENGTH	TERM APPL SPEC	FEED	APPL INSTRUCTION
-	-	.810	458638-1
			280

QTY	REV	DESCRIPTION	ITEM NO
			129
			128
2	-	C 354779-6 PIN, WIRE DISC (.3020)B	127
2	-	C 9-354778-1 PIN, WIRE DISC (.2950)A	126
1	-	A 986950-1 WASHER, FLAT PRECISION	125
			124
			123
			122
			121
			120
			119
			118
			117
			116
			115
			114
2	-	A 21024-5 WASHER, LOCK (#10) AIR ASSY	113
			112
			111
7	-	A 21024-4 WASHER, LOCK (NO. 8) SHEAR BL	110
			109
2	-	A 21018-4 NUT, HEX (4-40) DRAG	108
			107
			106
2	-	A 21022-2 NUT, HEX SL (8-32) DRAG STUD	105
			104
			103
2	-	A 2-21006-6 SCR, SKT SET (4-40x.62) DRAG	102
1	-	A 21009-2 SCR, SKT SET (1/4-20x.25)RAM	101
2	-	A 21017-2 SCR, DRIVE (#2x.19) ID PLATE	100
			99
1	-	B 461264-1 PLATE, IDENTIFICATION	98
			97
			96
2	-	A 2-21002-2 SCR, BHC (8-32x.50) STRIPPER	95
4	-	A 2-21002-9 SCR, BHC (10-32x.75) CAP	94
1	-	A 22733-8 SCR, BHC (8-32x.38 LW) ANVIL	93
4	-	A 3-21002-3 SCR, BHC (1/4-20x.50) ST 6D PL	92
3	-	A 2-22733-8 SCR, BHC (1/4-20x.62) HSG	91
			90
			89
			88
2	-	A 2-21000-7 SCR, SHC (8-32x.50) SLUG BLADE	87
3	-	A 2-21000-6 SCR, SHC (8-32x.38) STRIP GUIDE	86
2	-	A 2-21000-9 SCR, SHC (8-32x.75) R STRIP GUIDE	85
			84
			83
			82
			81
2	-	A 3-21002-0 SCR, BHC (10-32x.88) SHEAR PL	80
1	-	A 455750-8 GUARD ASSY	79
			78
			77
			76
			75
1	-	A 690603-1 SPRING, ASSIST	74
1	-	A 23030-1 SCR, SKT CAP (6-32x.25) CP DSC	73
			72
			71

QTY REQD PER ASSY	U/M	DWG SIZE	PART NO	DESCRIPTION	ITEM NO

PARTS LIST		REVISION RECORD	
H	0150-8753-98	TB	9-98
G	0150-6779-96, 085	EB	4-96
F	0150-6276-95	CE	7-95
P/F	LTR	APP	DATE

-5	BENCH MODEL K	AIRFEED
----	---------------	---------

QTY	REV	DESCRIPTION	ITEM NO
			70
			69
			68
REF	-	A 24042-2 VALVE, SHUT OFF	67
REF	-	C 692655-6 AIR FEED VALVE ASSY	66
1	-	B 460277-1 AIR FEED ASSY (1 INCH)	65
2	-	A 3-21000-9 SCR, SHC (10-32x1.00) AIR ASSY	64
			63
			62
			61
			60
1	-	C 454220-1 CAP, RAM	59
1	-	D 453736-1 HOUSING	58
			57
			56
			55
			54
1	-	B 460680-2 FEED FINGER ASSY	53
			52
			51
			50
			49
			48
			47
			46
1	-	A 690191-1 PLUG, NYLON	45
1	-	C 455674-1 RAM	44
1	-	A 690125-1 WASHER, LAMINATED	43
1	-	A 690124-1 WASHER, RAM	42
1	-	A 7-21002-9 BOLT, CRIMPER (5/16-24x1.00)	41
1	-	A 23241-6 BALL, STEEL	40
1	-	A 690170-1 SPRING, COMPRESSION	39
1	-	C 690142-1 DISC, INSULATION	38
1	-	D 354777-1 WIRE DISC, PLASTIC	37
1	-	A 22480-5 WASHER, SPRING	36
1	-	B 690212-1 POST, RAM	35
			34
			33
			32
			31
			30
			29
			28
1	-	A 462505-1 STRIPPER	27
1	-	D 455676-1 PLATE, BASE	26
2	-	A 22354-8 DRAG, STUD	25
1	-	B 455678-1 PLATE, STRIP GUIDE	24
1	-	C 240825-8 PLATE, STRIP HOLD DOWN	23
2	-	A 4-22281-1 SPRING, DRAG	22
			21
1	-	A 454177-1 DRAG, STOCK	20
			19
2	-	C 454204-4 GUIDE, STRIP (FRONT)	18
			17
			16
			15
			14
1	-	C 1-455892-1 HOLD DOWN	13
1	-	A 23846-1 SPRING	12
1	-	B 240644-1 PLATE, REAR SHEAR	11
2	-	C 1-240645-2 SPACER, SHEAR PLATE	10
1	-	B 240642-1 PLATE, FRONT SHEAR	9
1	-	D 2-240655-6 ANVIL	8
1	-	B 1-240651-1 BLADE, SLUG	7
			6
1	-	C 5-240641-2 SPACER, SLUG BLADE	5
1	-	B 238009-1 SPACER, BLOCK CRIMPER	4
1	-	C 1-456134-2 CRIMPER, INSULATION	3
1	-	B 1-455888-2 SPACER, CRIMPER	2
1	-	C 456406-2 CRIMPER, WIRE	1

QTY REQD PER ASSY	U/M	DWG SIZE	PART NO	DESCRIPTION	ITEM NO

CUSTOMER AND ASSEMBLY DRAWING

THIS DRAWING IS A CONTROLLED DOCUMENT.

THIS DRAWING IS UNPUBLISHED.
 RELEASED FOR PUBLICATION
 BY AMP INCORPORATED. ALL RIGHTS RESERVED.
 SEP 1, 1998
 LOC A
 DIST 66
 AMP 1756 REV 3-92