

THIS DRAWING IS UNPUBLISHED.

RELEASED FOR PUBLICATION

© COPYRIGHT - By -

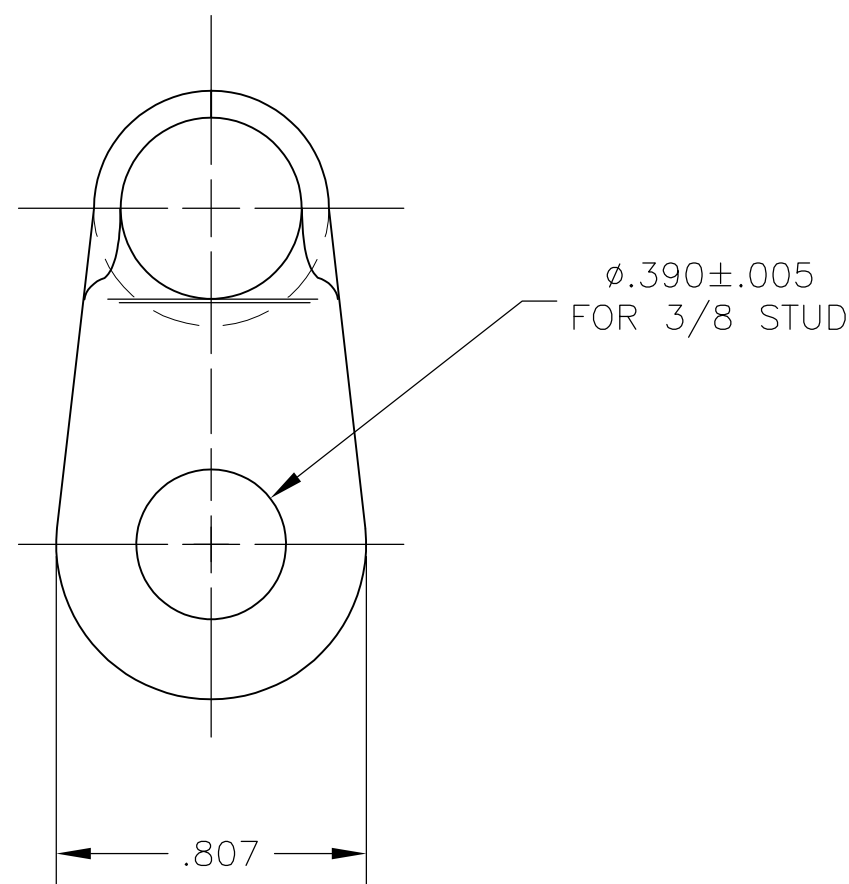
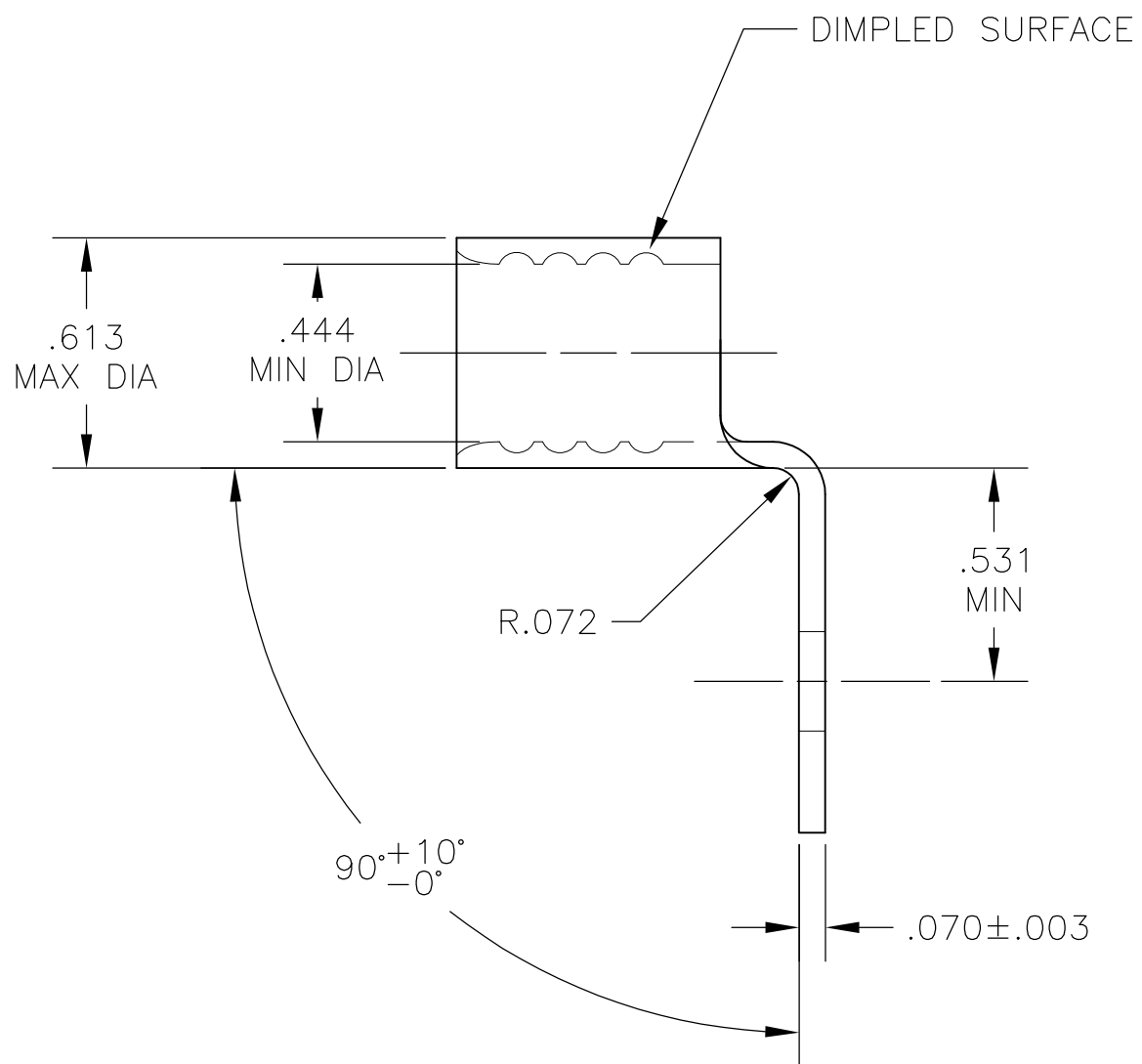
ALL RIGHTS RESERVED.

LOC
G

DIST
14

REVISIONS

P	LTR	DESCRIPTION	DATE	DWN	APVD
	D1	REVISED PER ECO-12-006198	30MAR12	KH	MS



COPPER PER ASTM B-152 ANNEALED TIN PL PER ASTM B-545	322906
MATERIAL & FINISH	PART NO

THIS DRAWING IS A CONTROLLED DOCUMENT.		DWN JR RUTH 20NOV03	STE TE Connectivity			
DIMENSIONS: INCHES		CHK MJ SPICER 20NOV03				
TOLERANCES UNLESS OTHERWISE SPECIFIED:		APVD MJ SPICER 20NOV03	NAME			
0 PLC ± -		PRODUCT SPEC	WIRE TERMINAL			
1 PLC ± -		APPLICATION SPEC	SOLISTRAND, RING TONGUE, BENT 90,			
2 PLC ± -		WEIGHT	WIRE SIZE : 1/0			
3 PLC ± .008		CUSTOMER DRAWING	SIZE	CAGE CODE	DRAWING NO	RESTRICTED TO
4 PLC ± -			A3	00779	C-322906	-
ANGLES ± 5°		SCALE	SHEET		REV	
MATERIAL SEE TABLE	FINISH SEE TABLE	2:1	1 OF 1		D1	