

5

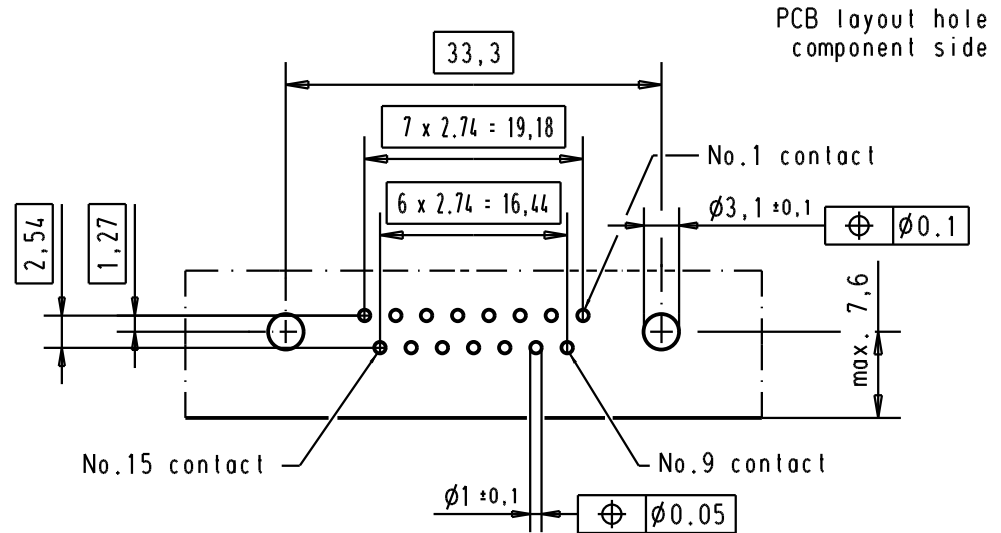
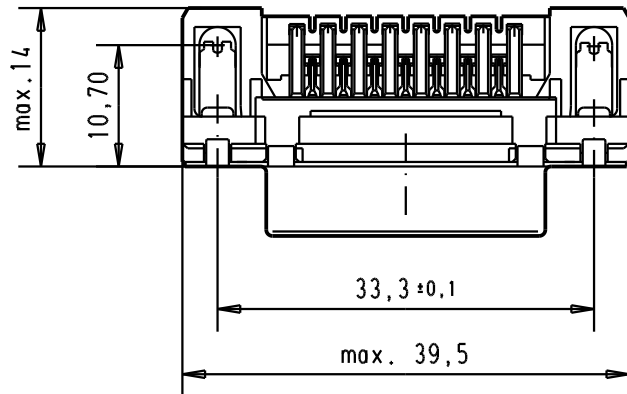
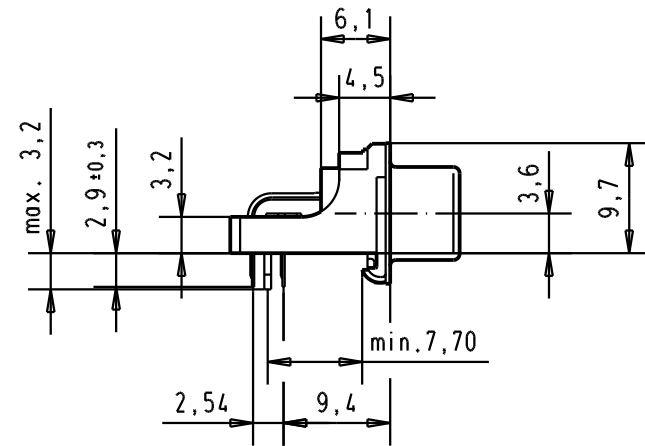
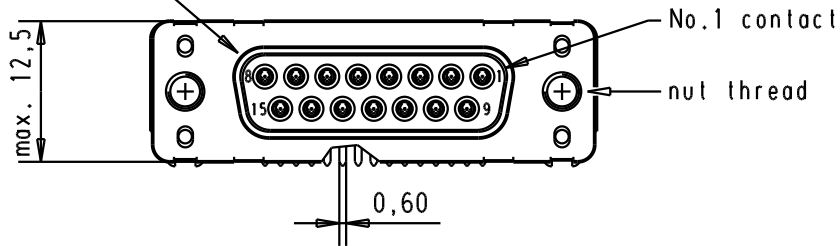
4

3

2



1

Mating face according to : MIL-C-24308 / DIN 41652 / CECC 75301-802



Connector retention and insertion forces on the PCB = 25 / 80 newtons

A

09 66 252 3615	M 3	1					Dat.	Name	 <p>All Dim. in mm Orig. Size DIN A 4</p>	D-Sub 15 poles low profil angle female, solder pin with nut and grounding board lock.	Maßstab/ Scale 1.5:1
09 66 252 6615	M 3	2	31892	05/05/04	JH	Detail.	02/sept/00	jfb			
09 66 252 7615	M 3	3	31084	04/SEP/02	YT	Insp.					
09 66 252 3616	4-40 UNC	1	27961	24/nov/00	jfb	Stand.					
09 66 252 6616	4-40 UNC	2	27952	26/oct/00	jfb						
09 66 252 7616	4-40 UNC	3	27948	02/sept/00	jfb						
Part number	Nut thread	Performance level	Mod.	Dat.	Name	HARTING EURL F-95972 Paris				TB 0966252x61x	Blatt/ Page 2 / 5
										Sub.	