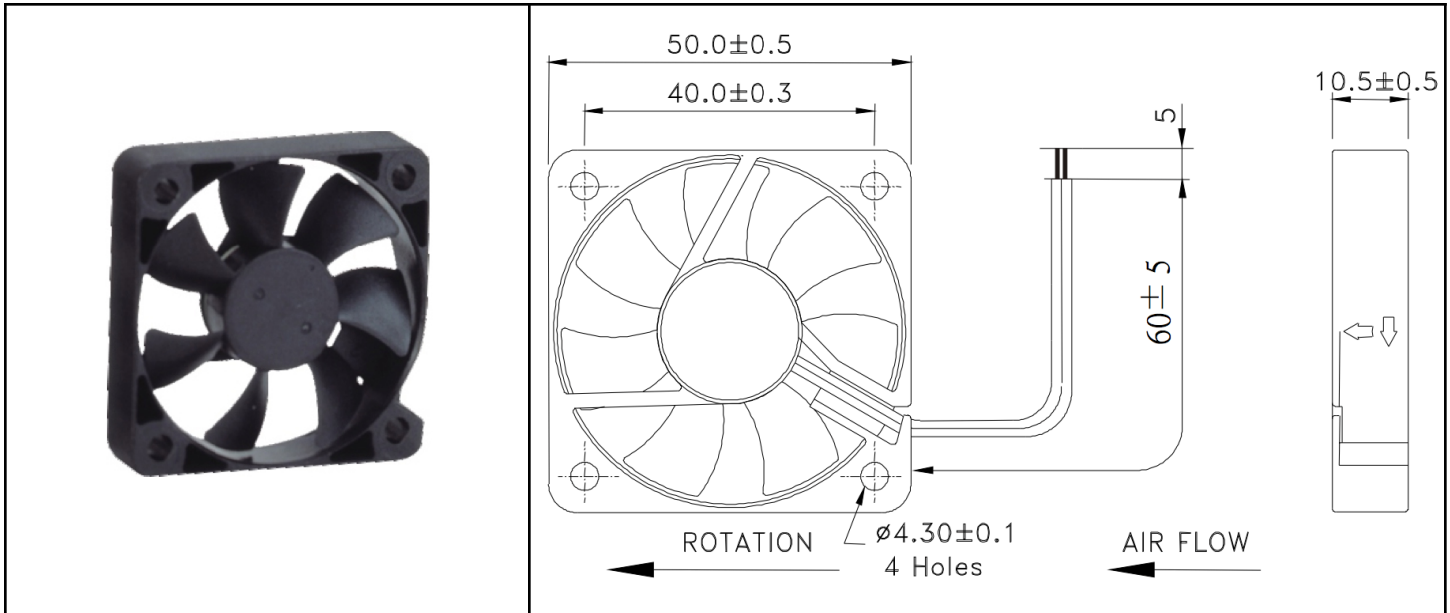


OD5010-12HB



DC Fan - 12V, High Speed
50x10mm (1.97"x 0.39")



Frame & Impeller	PBT, UL94V-O plastic	Available Options: Tachometer (Frequency Generator) Alarm (Rotation Detector) <u>Life Expectancy (L10)</u> 60,000 hrs <u>Operating Temperature</u> -10 ~ 70C	
Connection	2x Lead wires (~290mm) 26AWG		
Motor	Brushless DC, auto restart, polarity protected		
Bearing System	Dual Ball		
Insulation Resistance	10M ohm between leadwire and frame (500VDC)		
Dielectric Strength	1 second at 500 VAC, max leakage - 500 MicroAmp		

Part Number	OD5010-12HB (m1)
Nominal Voltage	12 VDC
Nominal Current	0.12 A (0.15 max)
Rated Power	1.1 W
Rated Speed (RPM)	5000
Airflow (CFM)	11.2
Noise Level (dB)	26
Max. Static Pressure	0.10" H ₂ O