

# LED FLEX RIBBON

## Features

VOLTAGE: 12V DC  
 CURRENT: 1800mA  
 LED VIEWING ANGLE (2 θ 1/2): 120°

STANDARD PACKAGING:  
 5 Meter Reel (300 LED's)

OPTIONAL PACKAGING:  
 Individual 500mm Sections (30 LED's)  
 Order as ZFS-8500-XX/SEC

Note: Individual Sections ARE NOT supplied with insulated wire connection.



## Maximum Ratings

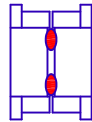
Parameter	Symbol	Rating	Unit
Electrostatic Discharge	ESD	800	V
Operating Temperature	Topr	-30~+85	°C
Storage Temperature	Tstg	-40~+100	°C

## Accessories

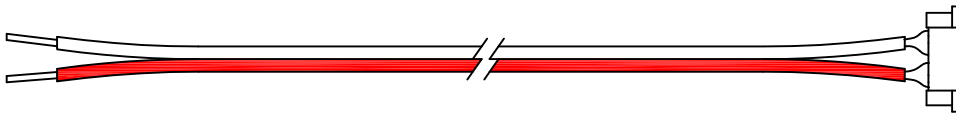
ZPS-1220 12V, 20 Watt Power Supply  
 ZPS-1225 12V, 25 Watt Power Supply  
 ZPS-1235 12V, 35 Watt Power Supply  
 ZPS-1260 12V, 60 Watt Power Supply  
 ZDM-01 PWM LED Dimmer

Note: ZPS-1235 and ZPS-1260 require use of wire nuts for connections.

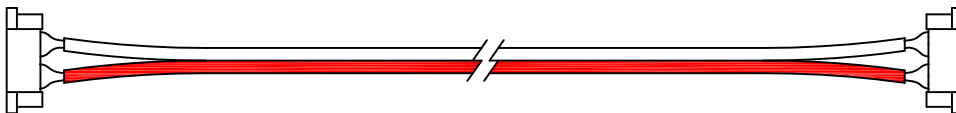
## Mating Components



ZFS-CHO-J: Solderless Connector



ZFS-CH200-I:  
Solderless Input Connector



ZFS-CH205-J:  
Solderless Joiner Connector

## Note

Please refer to JKL Application Sheet JKL-AS-ZFS-LED FLEX for Installation and Power Recommendations.



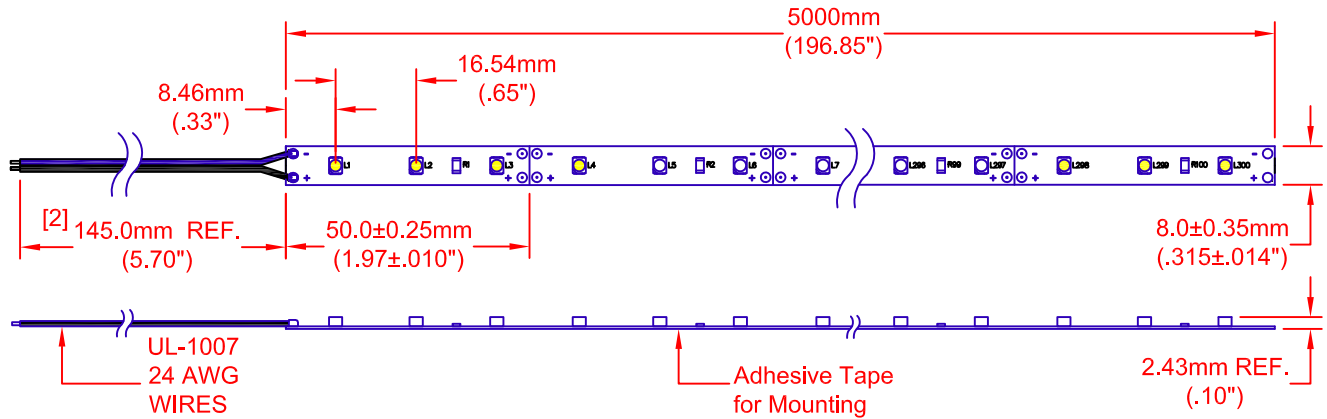
### ATTENTION

OBSERVE PRECAUTION FOR HANDLING ELECTROSTATIC DISCHARGE SENSITIVE DEVICES

D			METRIC		DIMENSIONS ARE IN mm (INCHES)		JKL COMPONENTS CORPORATION					
ADD ACCESSORIES NOTES	8/16/11		 THIRD ANGLE PROJECTION	TOLERANCE UNLESS OTHERWISE SPECIFIED 1 PL +/- REF. 2 PL +/- REF. ANGLE +/-	TITLE							
ADD WIRE TYPE AND SIZE	6/27/11				LED FLEX RIBBON, 12V							
SHOW WIRES ON BOTH ENDS	2/15/11				DRAWN BY			SIZE	FSCM NO.	DRAWING NO.		
ADD ZFS-8500-Y PART NO & ASSESSORIES	12/28/10				L. WENGSTROM	L.R.	8/16/11	<b>A</b>	<b>55335</b>	ZFS-8500 MULTI		
RELEASED	8/18/10		- CAD DRAWING - MANUAL REVISIONS NOT PERMITTED			SCALE	RELEASED DATE	8/18/10	REVISION DATE	8/16/11	REV. NO. <b>D</b>	SHEET 1 OF 2

# LED FLEX RIBBON

## Dimensions



## Electro-Optical Characteristics (Ta = 25°C)

JKL Part Number	Color	Number of LED's	Input Voltage (V DC)	Power (W)	Current (mA)	Radiance Angle	CCT (K)	Lumen Flux (lm)
ZFS-8500-CW	Cool White	300	12	21.60	1800	120°	6000	1092
ZFS-8500-NW	Neutral White	300	12	21.60	1800	120°	4100	1014
ZFS-8500-WW	Warm White	300	12	21.60	1800	120°	3050	936
ZFS-8500-Y	Yellow	300	12	21.60	1800	120°	590nm	336

## Circuit Diagram

