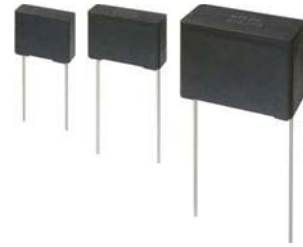


Metalized Polypropylene Film Capacitor



Type : **ECWFE**

Non-inductive construction using metalized Polypropylene film with flame retardant plastic case.

Features

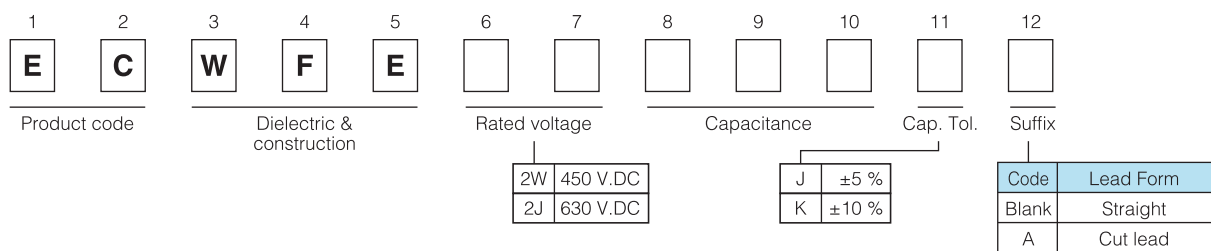
- Small size
- Excellent frequency characteristics
- Low loss
- Flame retardant plastic case and non-combustible resin
- Low Hum Sound Noise
- RoHS directive compliant

Recommended applications

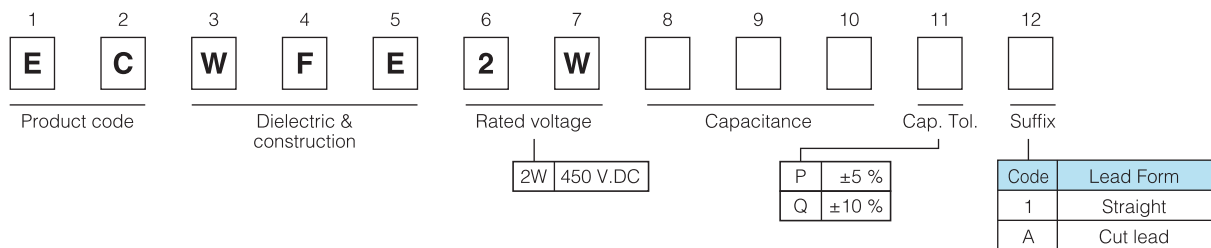
- Activ filter circuits
- High frequency and high current circuits

Explanation of part number

- Standard



- Short lead space product (0.47 μF)

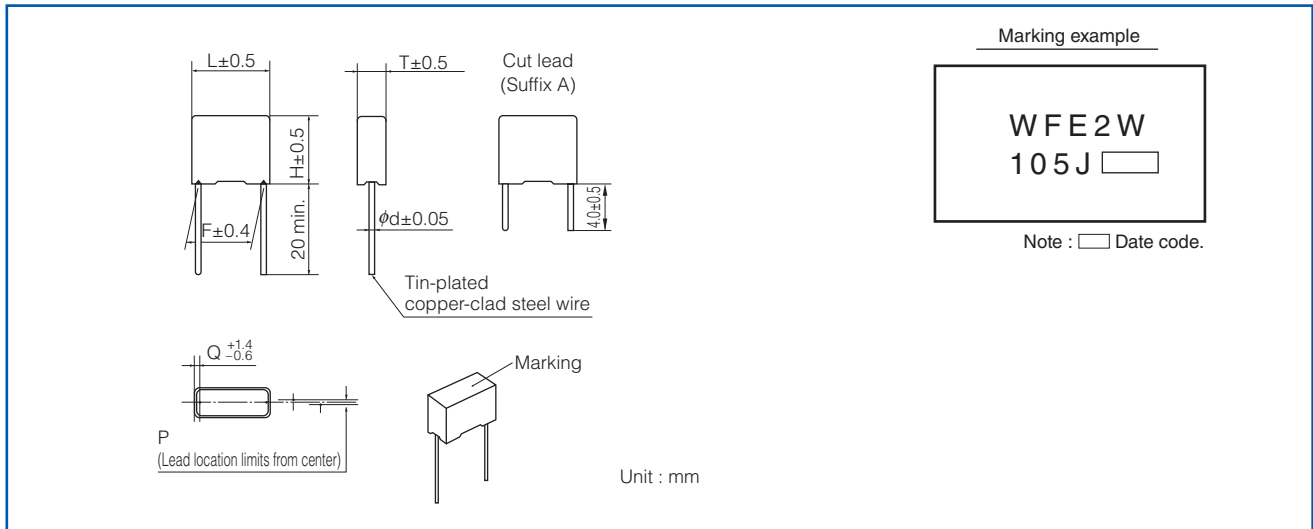


Specifications

Category temp. range (Including temperature-rise on unit surface)	- 40 °C to +105 °C	
Rated voltage	450 V.DC (Derating of rated voltage by 1.25 %/°C at more than 85 °C) Peak to peak voltage applied on the capacitor should be less than 240 Vp-p ,and zero to peak voltage should be less than 450 Vo-p.	
	630 V.DC (Derating of rated voltage by 1.0%/°C at more than 85 °C) Peak to peak voltage applied on the capacitor should be less than 400 Vp-p ,and zero to peak voltage should be less than 630 Vo-p.	
Capacitance range	450 V.DC	0.1 μF to 4.7 μF
	630 V.DC	0.1 μF to 2.2 μF
Capacitance tolerance	±5 % (J), ±10 % (K)	
Dissipation factor (tan δ)	tan δ ≤ 0.1 % (20 °C, 1 kHz)	
Withstand voltage	Between terminals : Rated voltage (V.DC) × 150 % 60 s	
Insulation resistance (IR)	450 V.DC	C ≤ 0.33 μF : IR ≥ 30000 MΩ C > 0.33 μF : IR ≥ 10000 MΩ · μF (20 °C, 100 V.DC, 60 s)
	630 V.DC	C ≤ 0.33 μF : IR ≥ 9000 MΩ C > 0.33 μF : IR ≥ 3000 MΩ · μF (20 °C, 500 V.DC, 60 s)

* In case of applying voltage in alternating current (50 Hz or 60 Hz sine wave) to a capacitor with DC rated voltage, please refer to the page of "Permissible voltage (R.M.S) in alternating current corresponding to DC rated voltage".

Dimensions



Rating · Dimensions · Quantity

- Rated voltage : 450 V.DC, Capacitance tolerance : $\pm 5\%$ (J), $\pm 10\%$ (K),

Part No.	Cap. (μ F)	Dimensions (mm)							Min. order Q'ty	
		L	T	H	F	ϕ d	P	Q	Straight	Cut lead
ECWFE2W104□()	0.10	13.0	5.0	10.5	10.0	0.6	0 \pm 0.8	1.5	1000	1000
ECWFE2W154□()	0.15	13.0	5.0	10.5	10.0	0.6	0 \pm 0.8	1.5		
ECWFE2W224□()	0.22	13.0	6.0	12.0	10.0	0.6	0 \pm 0.8	1.5		
ECWFE2W334□()	0.33	13.0	6.0	12.0	10.0	0.6	0 \pm 0.8	1.5		
★ ECWFE2W474P() ECWFE2W474Q()	0.47	13.0	7.0	12.5	10.0	0.6	0 \pm 0.8	1.5		
ECWFE2W474□()	0.47	17.5	6.0	11.5	15.0	0.8	0 \pm 0.8	1.3		
ECWFE2W684□()	0.68	17.5	7.0	12.5	15.0	0.8	0 \pm 0.8	1.3		
ECWFE2W105□()	1.0	17.5	7.0	12.5	15.0	0.8	0 \pm 0.8	1.3		
ECWFE2W155□()	1.5	17.5	10.0	15.5	15.0	0.8	0 \pm 0.8	1.3		
ECWFE2W225□()	2.2	17.5	10.0	15.5	15.0	0.8	0 \pm 0.8	1.3		
ECWFE2W335□()	3.3	26.0	10.0	17.0	22.5	0.8	0 \pm 0.8	1.8	500	300
ECWFE2W475□()	4.7	26.0	12.0	19.0	22.5	0.8	0 \pm 0.8	1.8	300	200

- * □ : Capacitance tolerance code
- () : Suffix for lead crimped

Note) Part Number marked with ★ is Short Lead Space Product.

- Rated voltage : 630 V.DC, Capacitance tolerance : $\pm 5\%$ (J), $\pm 10\%$ (K),

Part No.	Cap. (μ F)	Dimensions (mm)							Min. order Q'ty	
		L	T	H	F	ϕ d	P	Q	Straight	Cut lead
ECWFE2J104□()	0.10	17.5	5.0	10.5	15.0	0.6	0 \pm 0.8	1.3	1000	1000
ECWFE2J154□()	0.15	17.5	6.0	11.5	15.0	0.6	0 \pm 0.8	1.3		
ECWFE2J224□()	0.22	17.5	7.0	12.5	15.0	0.6	0 \pm 0.8	1.3		
ECWFE2J334□()	0.33	17.5	8.5	14.5	15.0	0.6	0 \pm 0.8	1.3		
ECWFE2J474□()	0.47	17.5	10.0	15.5	15.0	0.6	0 \pm 0.8	1.3		
ECWFE2J684□()	0.68	17.5	11.0	17.5	15.0	0.6	0 \pm 0.8	1.3	600	600
ECWFE2J105□()	1.0	26.0	10.0	17.0	22.5	0.8	0 \pm 0.8	1.8	500	300
ECWFE2J155□()	1.5	26.0	12.0	19.0	22.5	0.8	0 \pm 0.8	1.8	300	200
ECWFE2J225□()	2.2	26.0	16.0	23.0	22.5	0.8	0 \pm 0.8	1.8	200	

- * □ : Capacitance tolerance code
- () : Suffix for lead crimped