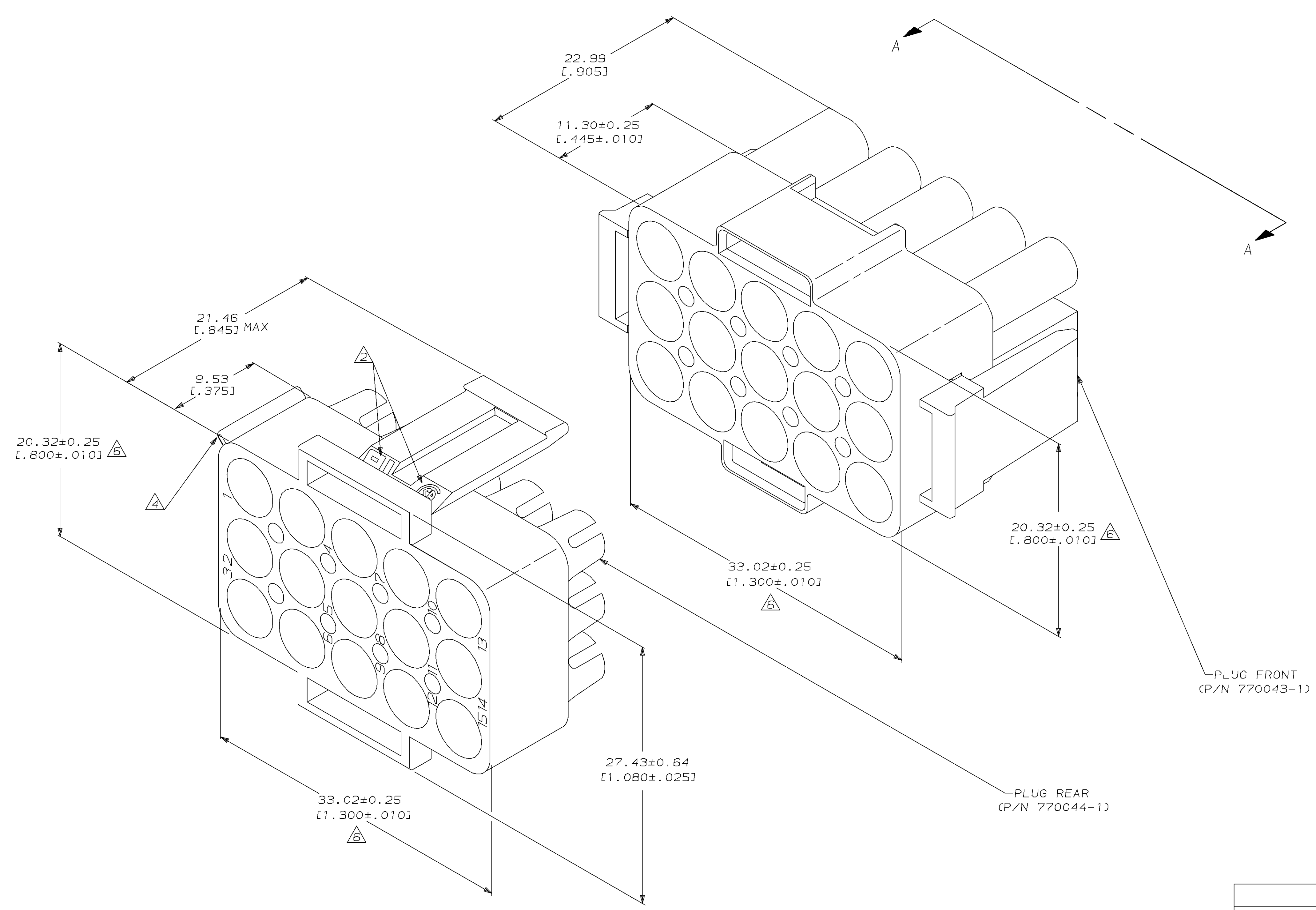
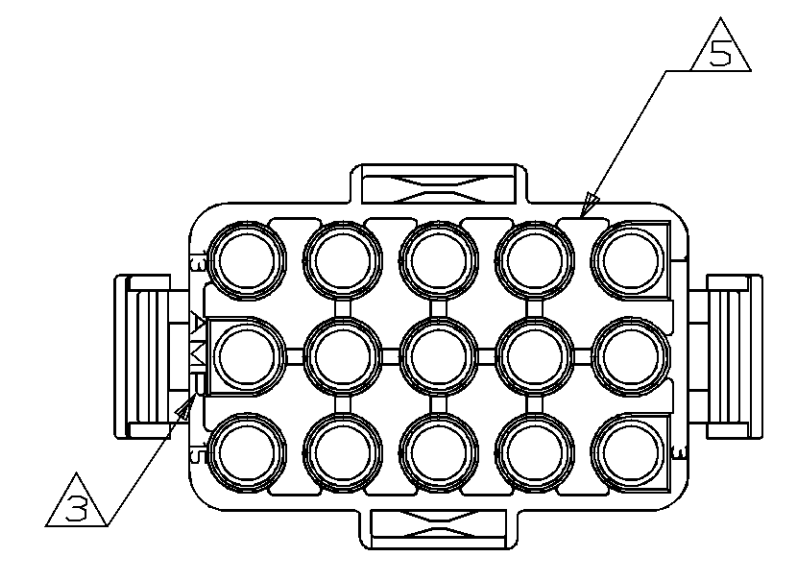


| LOC | | DIST | | P | | F | | ZONE | | LTR | | REVISIONS | | DATE | APPD | | | |
|-----|----|------|--|---|--|---|--|------|--|-----|--|-----------|---|------------|--------------|---------|----|----|
| CM | 53 | | | | | | | | | | | | E | REV PER EC | OL30-0034-96 | 8-30-96 | JH | R5 |



1. BULK PACKAGED, UNASSEMBLED.
2. APPROVAL AGENCY LOGO LOCATED APPROXIMATELY AS SHOWN.
3. AMP LOGO LOCATED THIS SURFACE.
4. CIRCUIT NUMBER ONE IDENTIFICATION RIB AND CIRCUIT IDENTIFICATION NUMBERS ARE EACH LOCATED ADJACENT TO THE APPROPRIATE CIRCUIT CAVITIES.
5. NEW MOLD CONSTRUCTION PROVIDES MATERIAL REDUCTION CORING AT BASE OF SILOS WITH NO CORING AS OPTIONAL.
6. DIMENSION INDICATED IS AS MOLDED. ADDITIONAL GROWTH DUE TO SUBSEQUENT MOISTURE ABSORPTION MAY OCCUR.



VIEW A-A
SCALE 2:1

PLUG FRONT
(P/N 770043-1)

PLUG REAR
(P/N 770044-1)

770023-1
PART NUMBER

| | | | | | |
|--|--|--------------------------|--|--|--|
| DO NOT SCALE PRINT. UNLESS SPECIFIED DIMENSIONS IN INCHES TOLERANCES ON: | | DR 1-22-92 K. SALMON | | AMP INCORPORATED Harrisburg, Pa. 17105 | |
| 1 PLC DEC ± 0.13 [.005] | | CHK 1-22-92 R. SWING | | NAME | |
| 2 PLC DEC ± 0.13 [.005] | | APPD 1-22-92 M. TRULL | | PLUG HOUSING KIT, 15 CIRCUIT, UNIVERSAL MATE-N-LOK™ II | |
| 3 PLC DEC ± 0.13 [.005] | | APPD 1-22-92 M. TRULL | | SIZE D | |
| ANGLES ± | | PRODUCT SPEC | | F5CM NO 00779 | |
| MATERIAL NYLON, UL94V-0, | | APPLICATION SPEC | | DRAWING NO 770023 | |
| FINISH | | WEIGHT | | SCALE 5:1 | |
| | | | | SHEET 1 OF 1 | |

