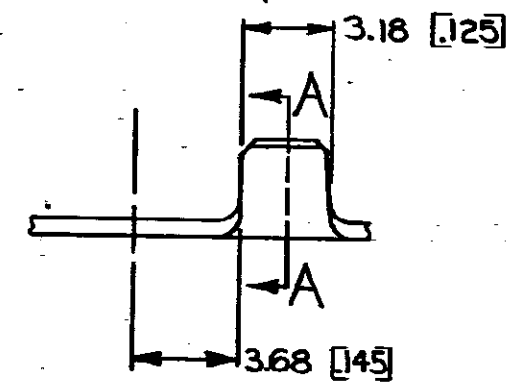
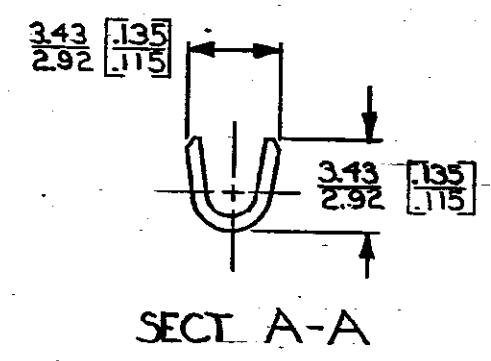
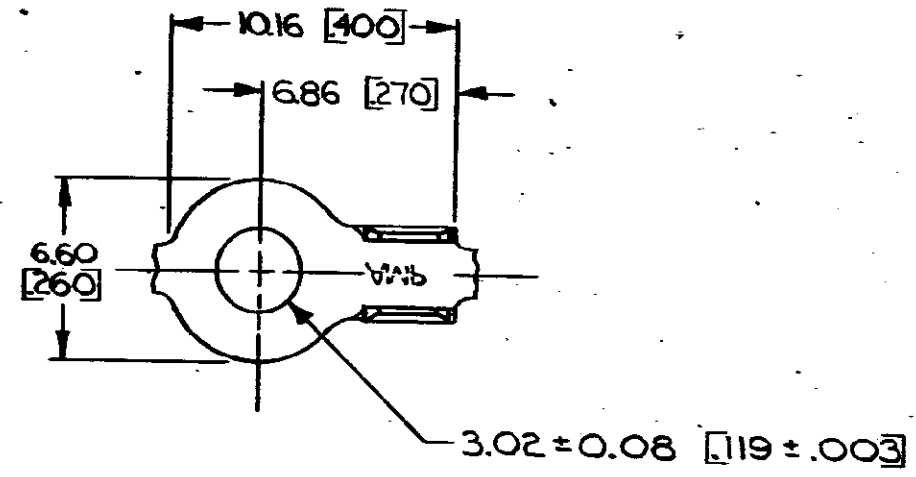


© COPYRIGHT 1969 BY AMP INCORPORATED, HARRISBURG, PA.
ALL INTERNATIONAL RIGHTS RESERVED. AMP INCORPORATED PRODUCTS
COVERED BY U. S. AND FOREIGN PATENTS AND/OR PATENTS PENDING.

1 LOC AF DIST 50

REVISIONS					
P/F	ZONE	LTR	DESCRIPTION	DATE	APPROVED
/		A	REDRAWN & REVISED A-3943	4/26/78	J.M.
/		B	REVISED A-6127	9/19/82	SS/64
/		C	REVISED AF1947	5/19/86	SS/GY



1. CONTINUOUS STRIP ON REELS.
2. DIMENSIONS IN BRACKETS ARE IN INCHES.

METRIC

*4	0.5-1.4 mm ² [20-16]	TIN	0.51 [020] BRASS	40810
STUD SIZE	WIRE RANGE	FINISH	MATERIAL	PART NO
UNLESS OTHERWISE SPECIFIED DIMENSIONS ARE IN mm. TOLERANCES ON: DECIMALS ±0.38 [015] ANGLES ±1°		CONTRACT NO		AMP INCORPORATED Harrisburg, Pa.
MATERIAL SEE TABLE		DR <i>S. Mogano</i> 4/26/78 CHK <i>W. ...</i> 7-25-78		
FINISH SEE TABLE		APPR <i>R.P. Frank</i> 8-10-78 APPR <i>C. Thicks</i> 8-10-78		NAME RING
OTHER APPD		SIZE B	CODE IDENT NO 00779	DRAWING NO 40810
		SCALE	SHEET	