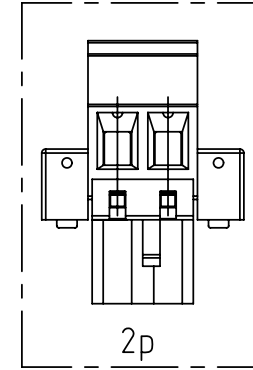
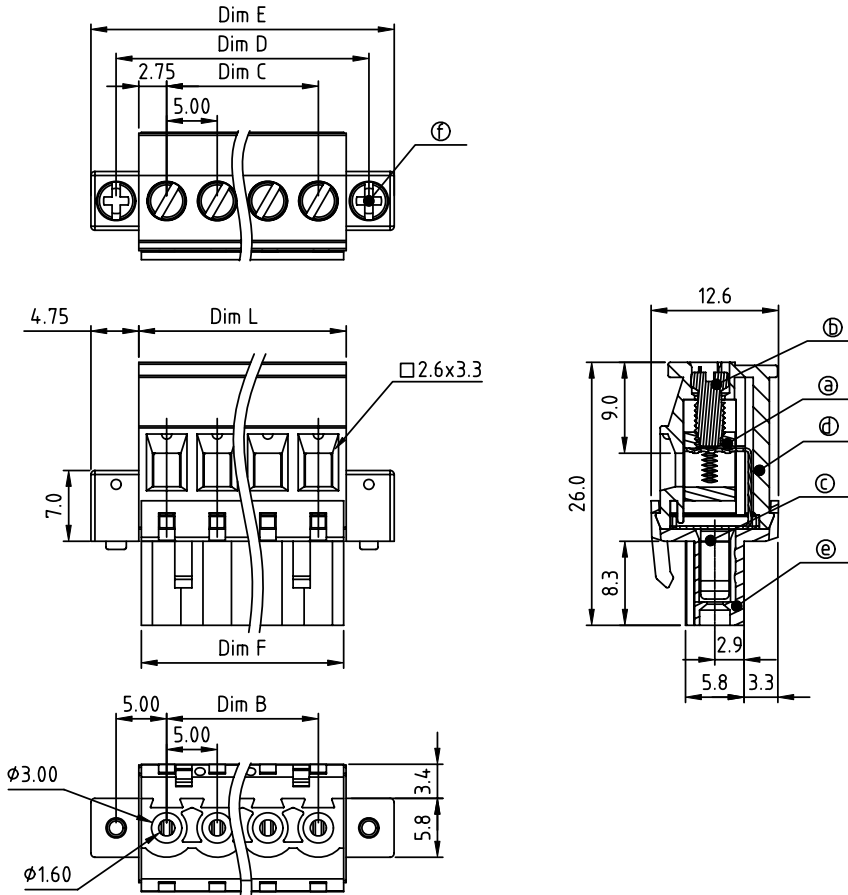


PRODUCT NUMBER	PITCH
TSxx71xC00J0G	5.00 mm



Material

- Item① Clamp: Brass(CuZn) Ni plated
- Item② Terminal screw: Steel Zinc plating "-" slot type
- Item③ Female contact: PhBz Tin plated
- Item④ Top body: Thermoplastic (UL94V-0)
- Item⑤ Bottom body: Thermoplastic (UL94V-0)
- Item⑥ With flange screw: Steel Zinc plating "+/-" combination type M2.5

Electrical cULus/VDE/TUV

- Voltage rating: 300VAC/300VAC/300VAC
- Current rating: 15A/17A/15A
- Wire range: 2.5mm²/0.34-2.5mm²
- Solid wire(AWG): 12-24
- Stranded wire(AWG): 12-24
- Torque: 3.5Lb-in./0.5Nm/0.4Nm
- Screw: M3
- Wire strip length: 6-7mm
- Withstanding Voltage: 1.6KV/2.5KV/2.5KV
- Operating temperature: -40°C to +115°C
- Safety approval:

DIMENSION

N = Number of poles

Dim L	NX5.0+0.5
Dim B	(N-1)X5.0
Dim C	(N-1)X5.0
Dim D	(N-1)X5.0+10.0
Dim E	(N-1)X5.0+15.0
Dim F	NX5.0

Poles	Tolerance
2p-6p	±0.15
7p-12p	±0.25
13p-18p	±0.30
19p-24p	±0.40

PART NO.: TS xx 71 x C 00J0 G

Solid block	0	Black (RAL9005)	RoHS compliant (lead<4%) In copper Alloy
No. of poles	2	Red (RAL3001/D)	
02 2 poles	3	Orange(RAL2011/P)	
03 3 poles	4	Yellow(RAL1018/A)	
...	5	Green(RAL6018/T)	
24 24 poles	6	Blue (RAL5015/A)	
	8	Grey(RAL7035/D)	
	9	White(RAL1102)	
	C	Green(RAL6018/U)	

mat'l. code		surface ASME Y14.5	tolerance ASME Y14.5	projection	product family TERMINAL BLOCK
ltr	ecn no	dr	date		title TERMINAL BLOCK
				tolerances unless otherwise specified	PLUGGABLE PLUG,HOOK ON ENTRY SIDE,WITH FLANGE
				angles 	scale
				X.±0.5	MM
				X.X±0.3	
				X*±1*	X.XX±0.1
		dr	EVIN ZHONG	041914	FCI
		enr	EVIN ZHONG	041914	dwg no
		chr	HANKE FENG	041914	sheet 1 of 1
		appd	SHI JUN	041914	size A4
					TSxx71xC00J0G
					type CUSTOMER Drawing
sheet index	revision	A			
	sheet	1			