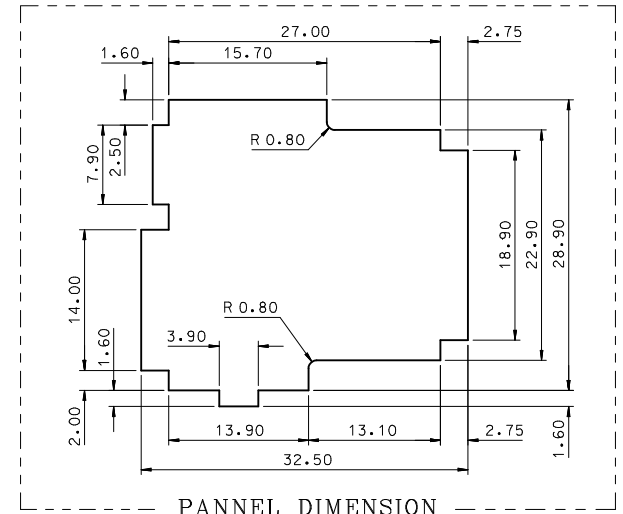
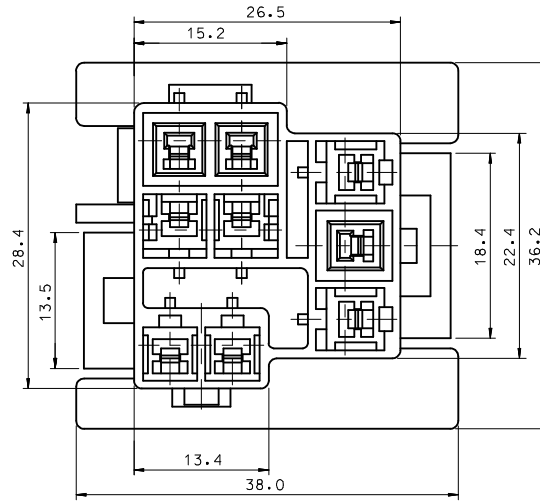
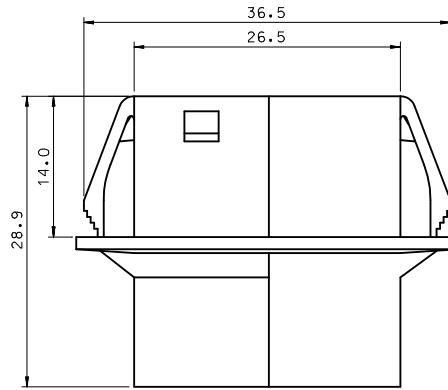
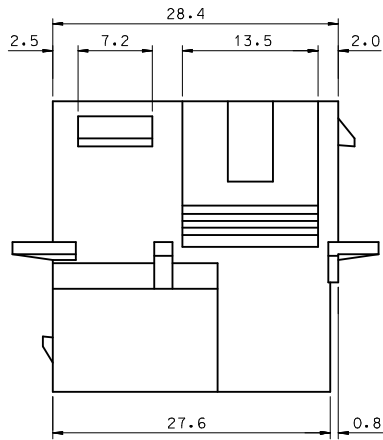


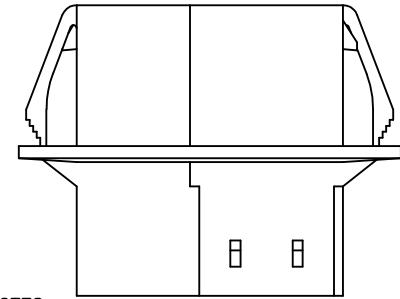
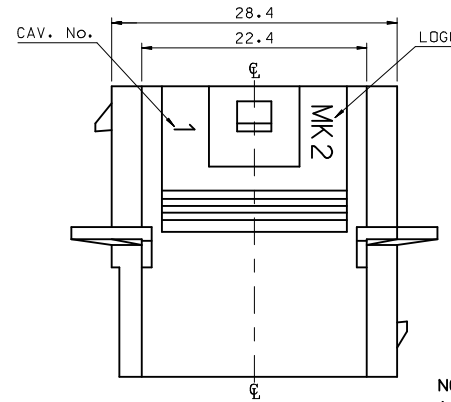
VIEW "A"



PANEL DIMENSION



↑  
"A"



NOTES.

- MATERIAL : SEE TABLE.
- MATED HOUSING : 35525-020\*/35151-021\*/#219  
35151-031\*/#319, 35151-041\*/#419
- APPLICABLE TERMINAL : 35745-0\*10 (1.2.3 CIRCUIT)  
35746-0\*10 (4.6.7 CIRCUIT)  
35747-0\*10 (5.8.9 CIRCUIT)
- MATED T.P.A : 35150-029\*/35150-039\*

NO	PRODUCT		MATERIAL		DESCRIPTION
	ENG NO.	MATERIAL NO.	EDP NO.	COLOR	
1	35524-0920	355240920	89992-0090	NATURAL	PBT (UL94V-0)
2	35524-0924	355240924	89992-0865	BLUE	
3	35524-0929	355240929	89992-1234	NATURAL	PBT/PC (UL94V-0)
4	35524-4929	355244929	89992-1329	BLUE	

REVISED  
EC NO: KOR2013-0064  
2013/01/11  
DRWN: JSSHIN  
2013/01/11  
CHKD: SHCHU  
2013/01/14  
APPR: YSKIM02

QUALITY SYMBOLS  
▽=0  
▽=0

GENERAL TOLERANCES (UNLESS SPECIFIED)

	mm	INCH
4 PLACES	± ---	± ---
3 PLACES	± ---	± ---
2 PLACES	± ---	± ---
1 PLACE	± 0.30	± ---
ANGULAR ± 1 °		

DRAFT WHERE APPLICABLE  
MUST REMAIN  
WITHIN DIMENSIONS

DIMENSION STYLE  
MM ONLY

DRAWN BY	DATE
SK.HAN	2007/12/13
CHECKED BY	DATE
WY.YANG	2007/12/13
APPROVED BY	DATE
EH.JUNG	2007/12/13

MATERIAL NO.  
SEE TABLE

SCALE  
2:1

DESIGN UNITS  
METRIC

THIRD ANGLE PROJECTION

TITLE  
.070 MULTI CONN  
MALE HOUSING -9P

MOLEX INCORPORATED

DOCUMENT NO.  
SD-35524-001

SHEET NO.  
1 OF 1

THIS DRAWING CONTAINS INFORMATION THAT IS PROPRIETARY TO MOLEX INCORPORATED AND SHOULD NOT BE USED WITHOUT WRITTEN PERMISSION