

THIS DRAWING IS UNPUBLISHED.

RELEASED FOR PUBLICATION

2006

© COPYRIGHT 2006

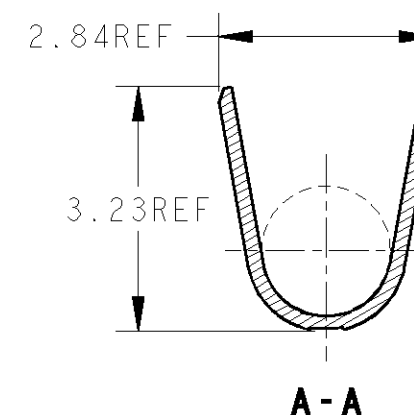
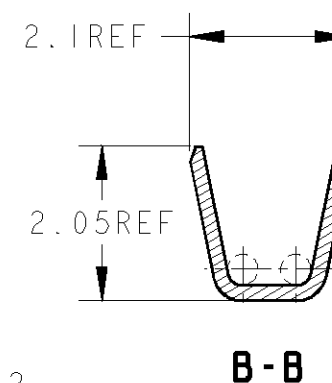
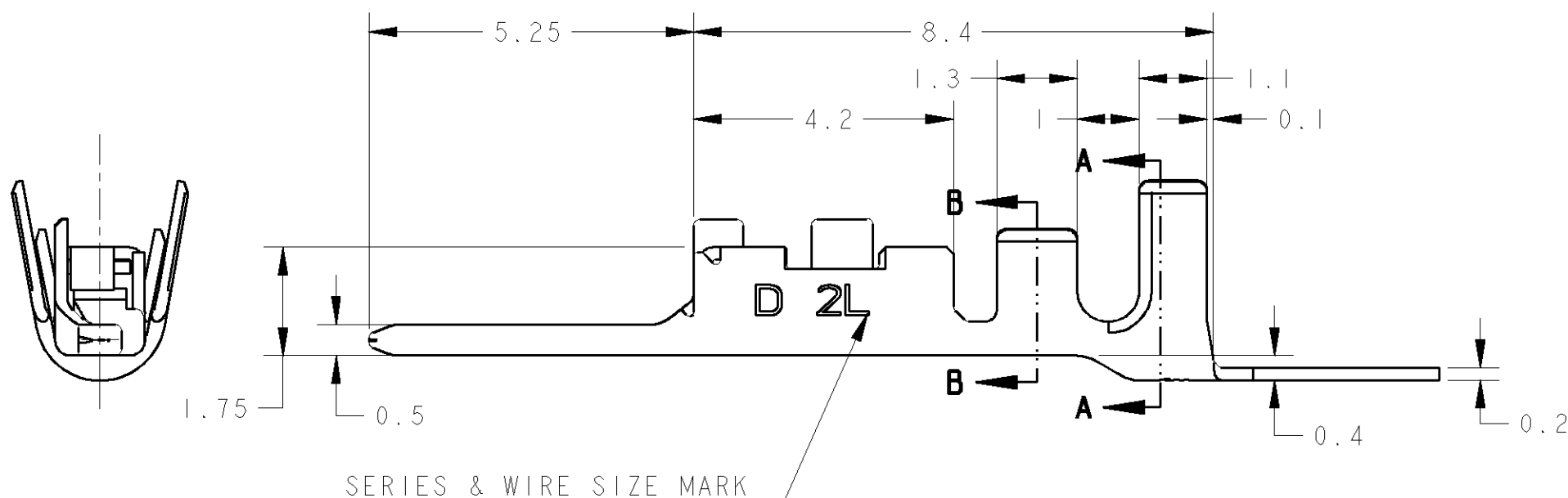
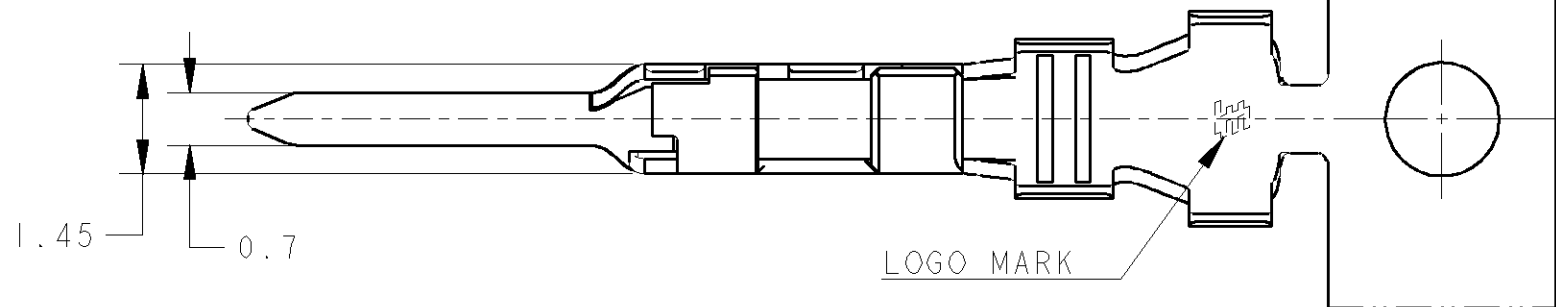
BY TYCO ELECTRONICS CORPORATION. ALL INTERNATIONAL RIGHTS RESERVED.

LOC
J

DIST

REVISIONS

P	LTR	DESCRIPTION	DATE	DWN	APVD
	B	REVISED ECR-10-016584	10AUG2010	T.T	T.M



AS SHOWN: 1903122-1

- APPLICATION TAB-HSG IS APPLIED TO THE PRODUCT OF 2.5mm PITCH OR MORE OF DYNAMIC D1000 SERIES. 2.0mm PITCH CANNOT BE USED.
- THE SHAPE, SIZE AND POSITION OF THE CHARACTER THEY DON'T SHOW DETAILS.

- DYNAMIC D1000シリーズの2.5mmピッチ以上のTAB-HSG製品に適用。
2.0mmピッチの製品には使用不可。
- 文字の形状、大きさ、および位置については、大略を示すものであり、
詳細を示すものではありません。

THIS DRAWING IS A CONTROLLED DOCUMENT FOR TYCO ELECTRONICS CORPORATION
IT IS SUBJECT TO CHANGE AND THE CONTROLLING ENGINEERING ORGANIZATION
SHOULD BE CONTACTED FOR THE LATEST REVISION.

DIMENSIONS: 単位: 概 mm		TOLERANCES UNLESS OTHERWISE SPECIFIED: 一般公差 ±0.3, ±3°	
		0-PLC ±	
		1-PLC ±	
		2-PLC ±	
		3-PLC ±	
MATERIAL 材料		FINISH 仕上	

DWN	26APR2006
CHK	M. MAEBASHI
APVD	26APR2006
PRODUCT SPEC	T. KUDO
APPLICATION SPEC	D. MITSUGI
WEIGHT	108-78298
	114-5377
	0.137 g
CUSTOMER DRAWING	

△ PRE-TIN COPPER ALLOY (錫めっき済銅合金)	1903122-1
MATERIAL (材料)	PART NO (型番)

WIRE RANGE 包合電線断面積 mm ²	AWG #22~#18 0.34~0.86	INSULATION DIA 被覆外径 mm	φ1.4~φ2.2
Tyco Electronics Corporation Kawasaki, Japan		NAME 名称 DYNAMIC D1000 SERIES TAB CONTACT TIN-PLATE 2L-TYPE REEL	
SIZE	CAGE CODE	DRAWING NO 番号	RESTRICTED TO
A3	00779	C=1903122	
SCALE 尺度		SHEET	OF
10:1		1	REV B