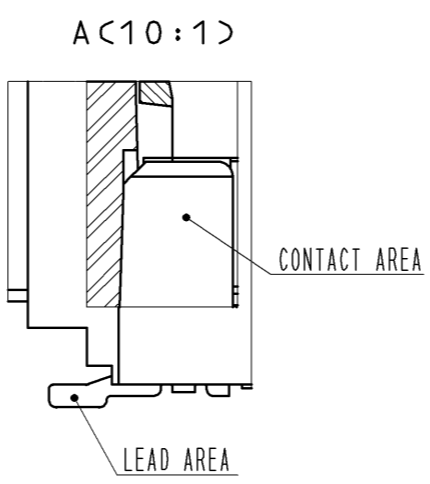
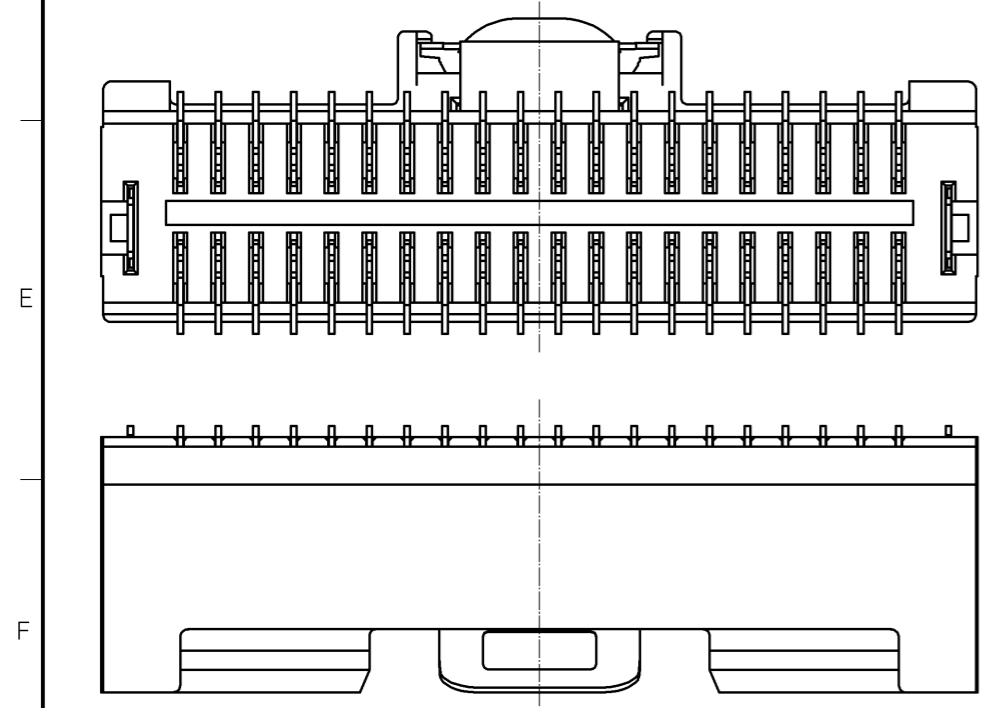
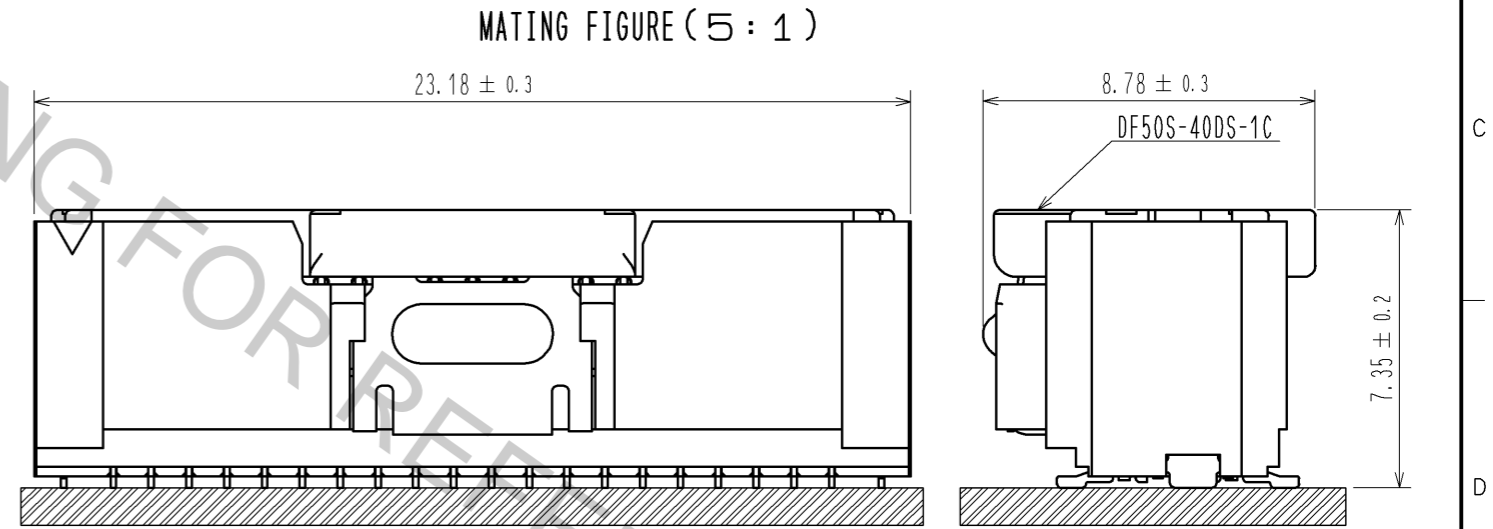
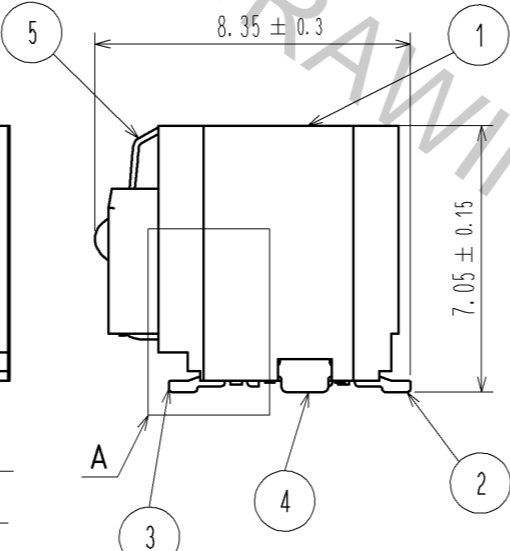
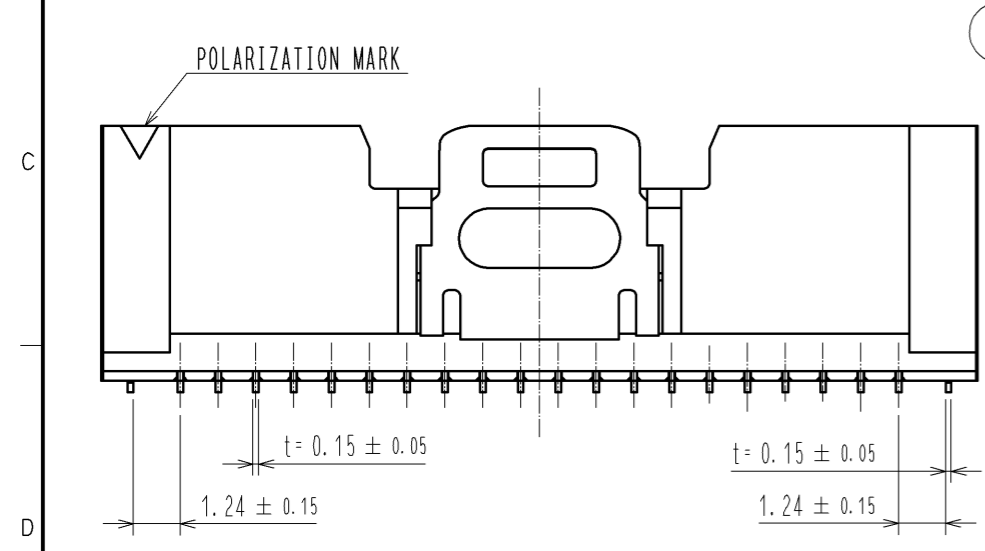
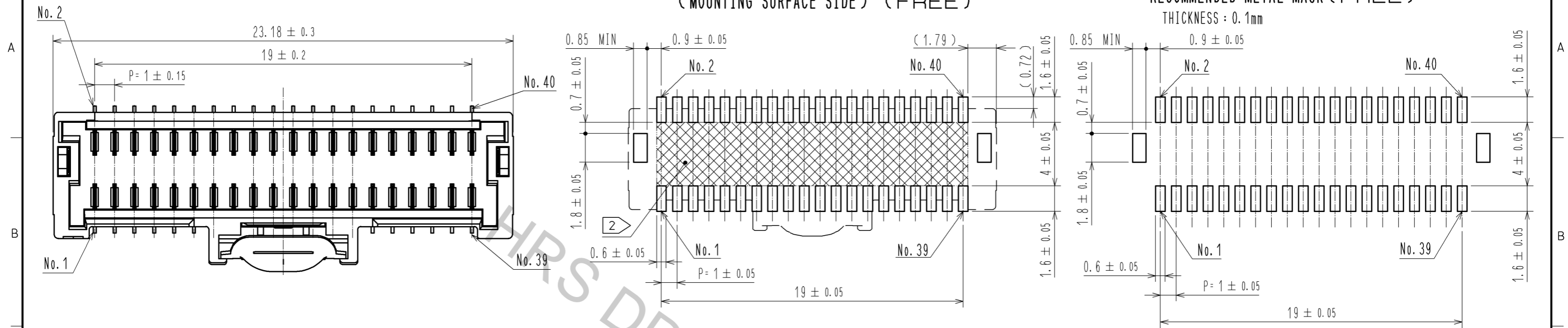


RECOMMENDED PCB LAYOUT
(MOUNTING SURFACE SIDE) (FREE)

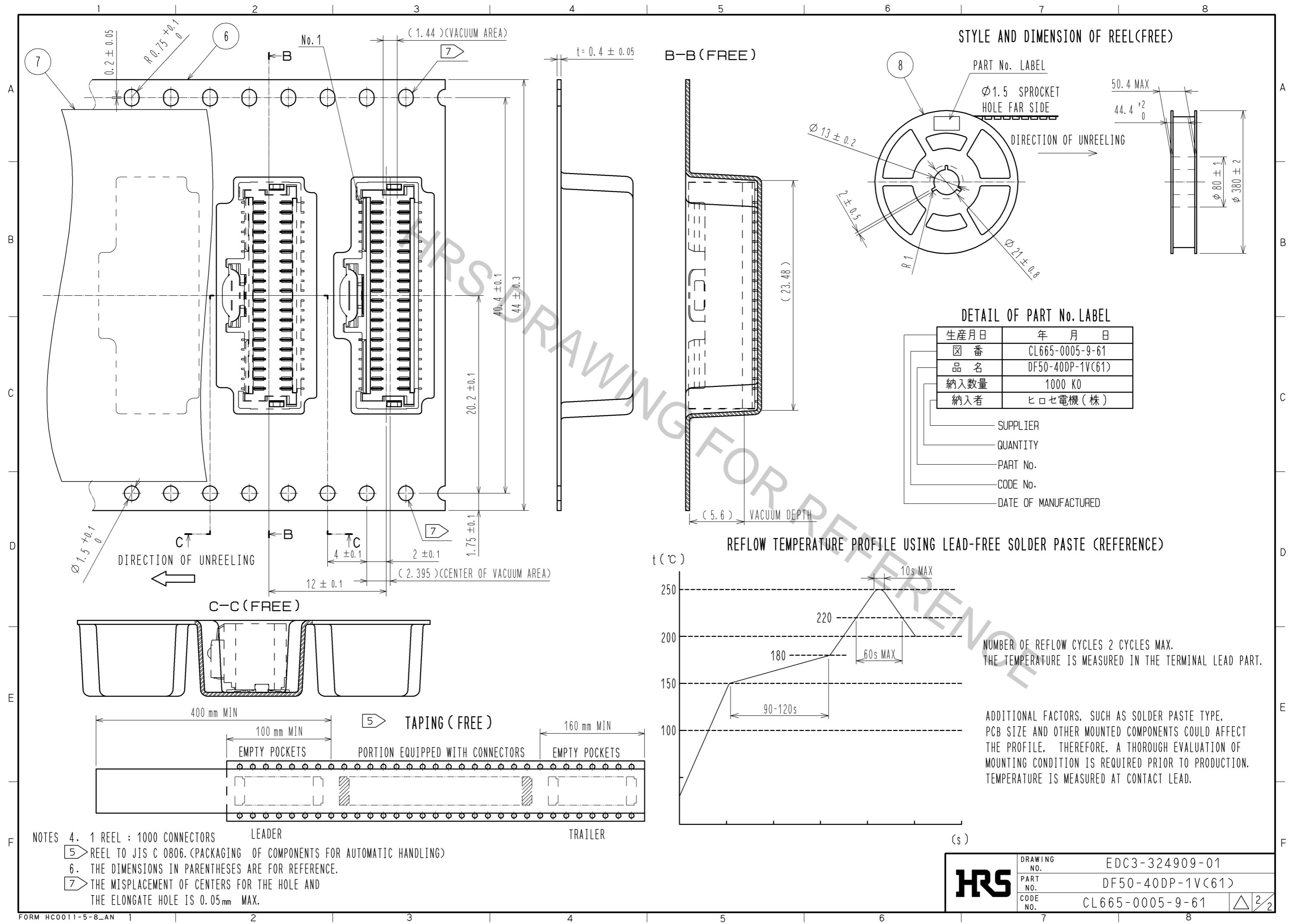
RECOMMENDED METAL MASK (FREE)

THICKNESS : 0.1mm



- NOTES 1. LEAD CO-PLANARITY SHALL BE 0.1mm MAX
 2. AREA INDICATED MUST BE FREE OF CONDUCTIVE TRACES OR THE CONDUCTIVE TRACES MUST BE COVERED BY RESIST FILM.
 3. PLEASE CONSULT HIROSE WHEN THE PRODUCT IS MOUNTED TO FPC.

3	BRASS	CONTACT AREA : Au PLATING 0.05μm MIN LEAD AREA : Au PLATING 0.05μm MIN UNDER PLATING : Ni PLATING 1μm MIN	8	PS	REEL. BLACK
			7	POLYESTER	CLEAR
2	BRASS	CONTACT AREA : Au PLATING 0.05μm MIN LEAD AREA : Au PLATING 0.05μm MIN UNDER PLATING : Ni PLATING 1μm MIN	6	PS	CLEAR
			5	STAINLESS STEEL	—
1	LCP	NATURAL, UL94V-0	4	BRASS	CONTACT AREA : Sn PLATING 1μm MIN UNDER PLATING : Ni PLATING 0.5μm MIN
NO.	MATERIAL	FINISH . REMARKS	NO.	MATERIAL	FINISH . REMARKS
UNITS mm		SCALE FREE	COUNT	DESCRIPTION OF REVISIONS	
DESIGNED		CHECKED		DATE	
APPROVED : KI. AKIYAMA		14.10.17		DRAWING NO. EDC3-324909-01	
CHECED : TS. FUKUSHIMA		14.10.17		PART NO. DF50-40DP-1V(61)	
DESIGNED : HT. SATO		14.10.17		CODE NO. CL665-0005-9-61	
DRAWN : MI. SAKIMURA		14.10.16			



HRS	DRAWING NO.	EDC3-324909-01
	PART NO.	DF50-40DP-1V(61)
	CODE NO.	CL665-0005-9-61
		△ 2/2