

10 9 8 7 6 5 4 3 2 1

F

E

D

C

B

A

F

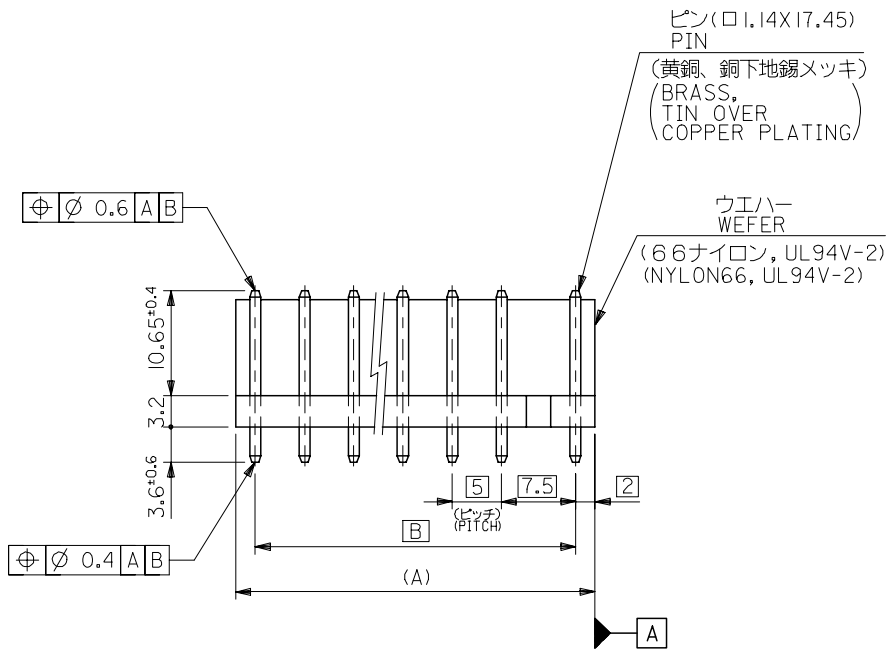
E

D

C

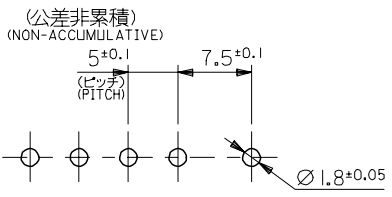
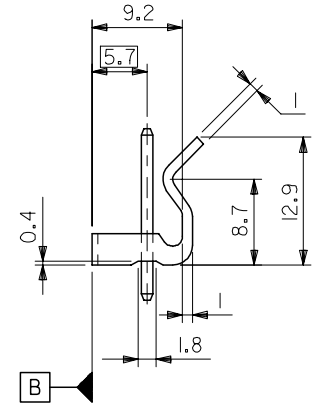
B

A



注記  
NOTE

1. ウエハーの反りは、長さ 25.4mm に対して最大 0.22mm  
CAMBER MUST BE WITHIN 0.22mmMAX. PER 25.4mm.



基板取付穴推奨寸法  
RECOMMENDED P.C.BOARD HOLE DIM. (t=1.6)

27.5	31.5	10-31-1068	5289-6A	6
22.5	26.5	10-31-1058	5289-5A	5
17.5	21.5	10-31-1048	5289-4A	4
12.5	16.5	10-31-1038	5289-3A	3
7.5	11.5	10-31-1028	5289-2A	2
B	(A)	EDP NO.	ENG. NO.	CKTS.

REVISED EC NO: J2008-0904 DRWN: NABEI 2007/09/28 CHKD: THARUYAMA 2007/09/28 APPR: NUKITA 2007/09/28	GENERAL TOLERANCES (UNLESS SPECIFIED)		DIMENSION STYLE MM ONLY		SCALE 2:1	DESIGN UNITS METRIC	THIRD ANGLE PROJECTION	
	10 UNDER	±0.2	DRAWN BY DATE S. MATSUZAKI '96/08/06		TITLE KK 5/7.5 WAFER ASSY WITH LOCK			
	10 OVER 30 UNDER	±0.25	CHECKED BY DATE Y. MIZUNO '96/08/07					
	30 OVER	±0.3	APPROVED BY DATE M. FUKUSHIMA '96/08/07		MOLEX INCORPORATED			
	ANGULAR	±3 °	MATERIAL NO.					
DRAFT WHERE APPLICABLE MUST REMAIN WITHIN DIMENSIONS		SEE TABLE		THIS DRAWING CONTAINS INFORMATION THAT IS PROPRIETARY TO MOLEX INCORPORATED AND SHOULD NOT BE USED WITHOUT WRITTEN PERMISSION				