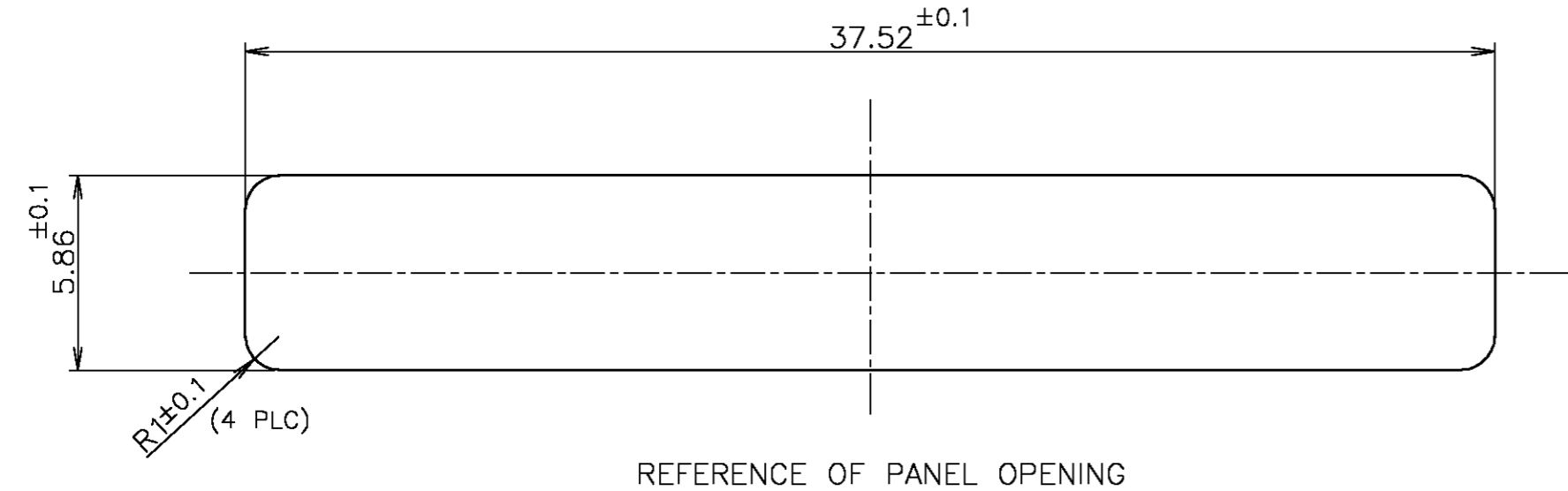
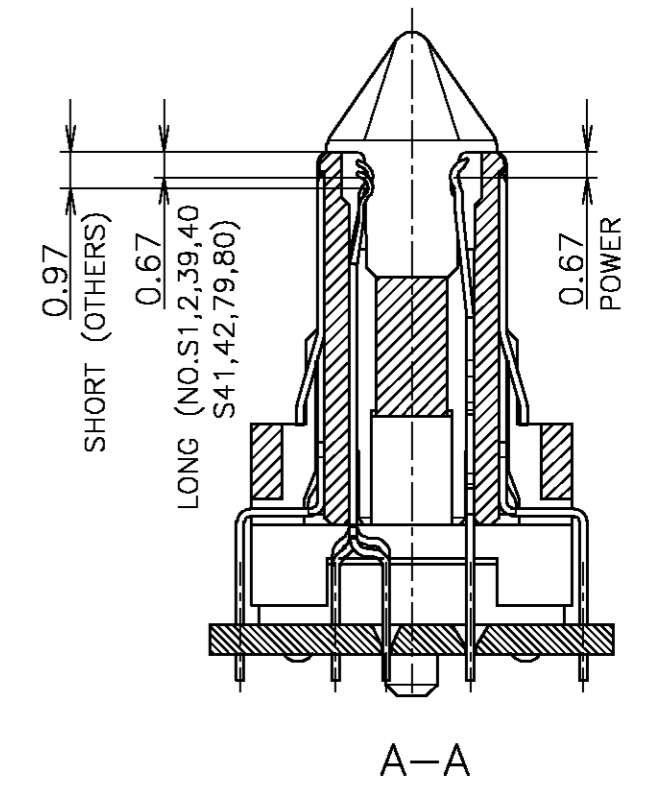
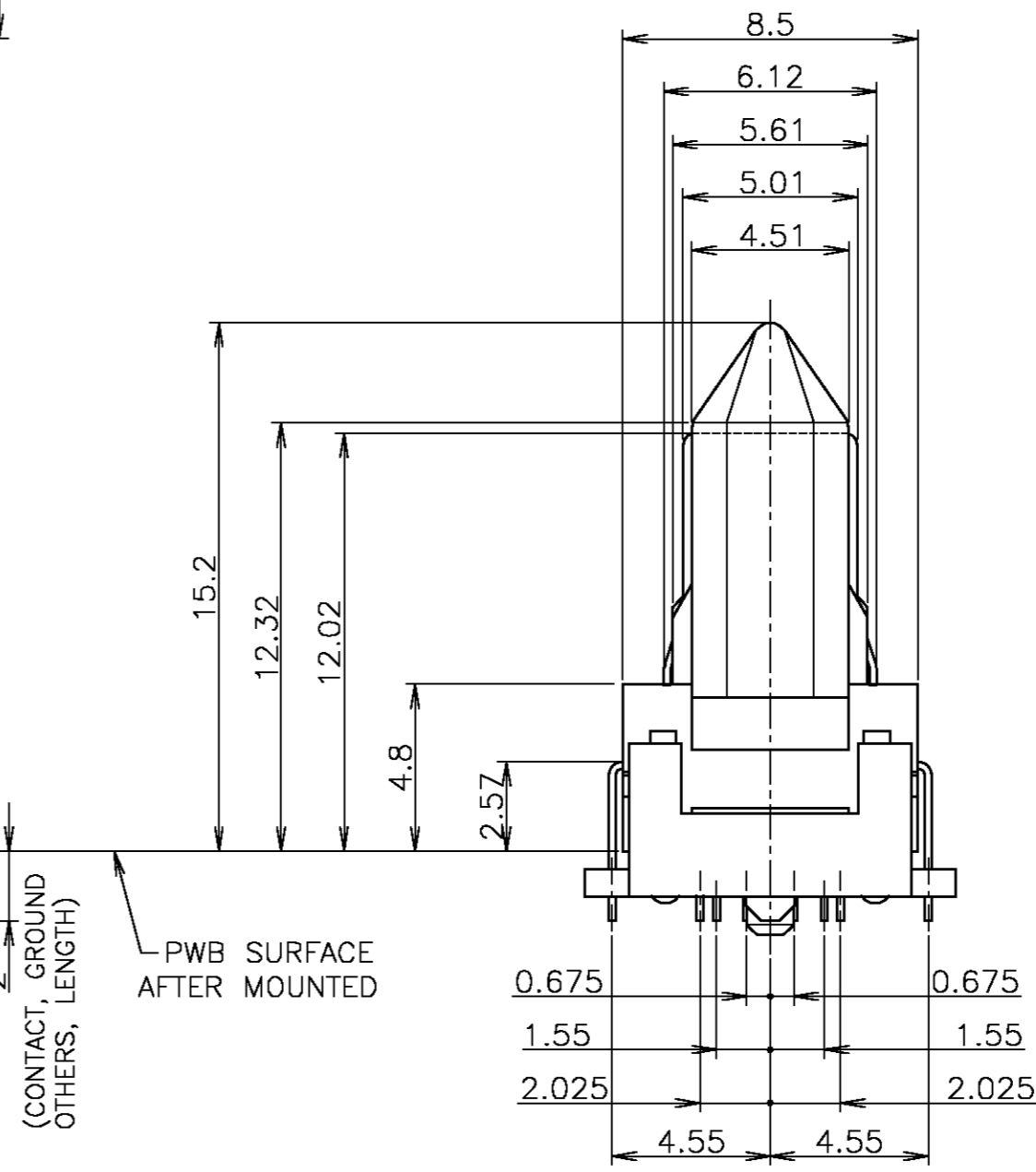
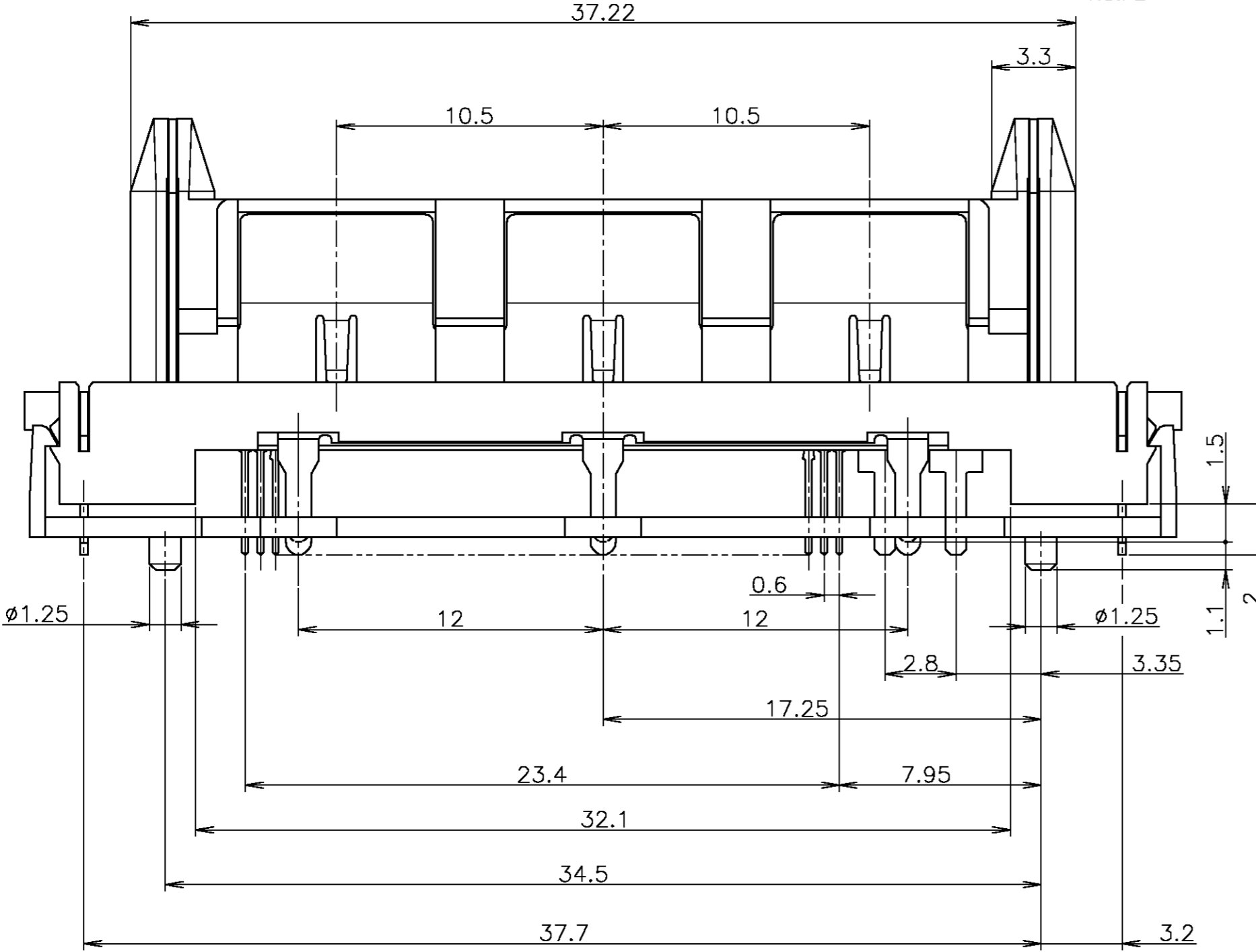
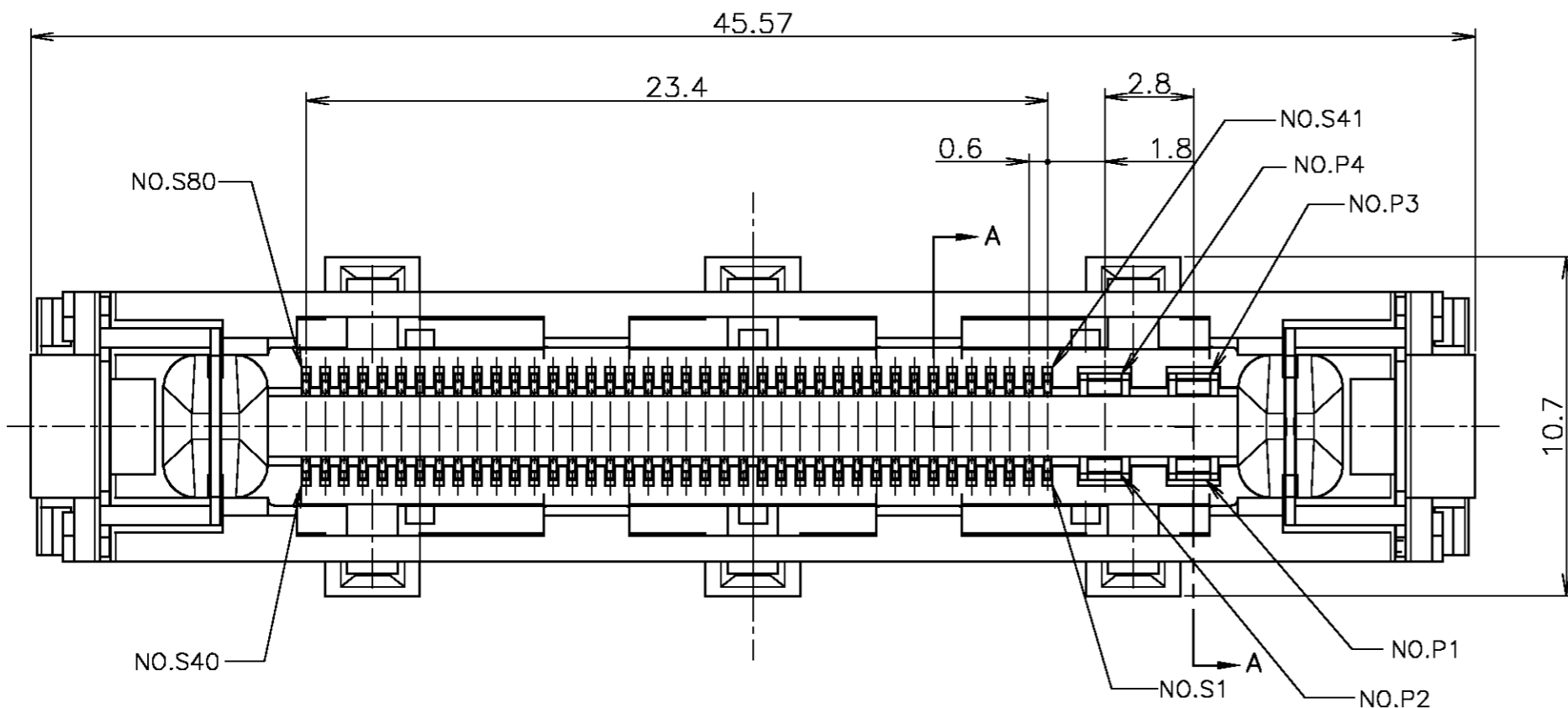


THIS DRAWING IS UNPUBLISHED. RELEASED FOR PUBLICATION OCT, 2002.
 © COPYRIGHT 2002 BY TYCO ELECTRONICS CORPORATION. ALL RIGHTS RESERVED.

LOC	DIST	REVISIONS			DATE	DWN	APVD
J		P	LTR	DESCRIPTION			
		A		REVISED FJB0-0081-05	27JAN05	A.K	Y.Y

-1 ; AS SHOWN



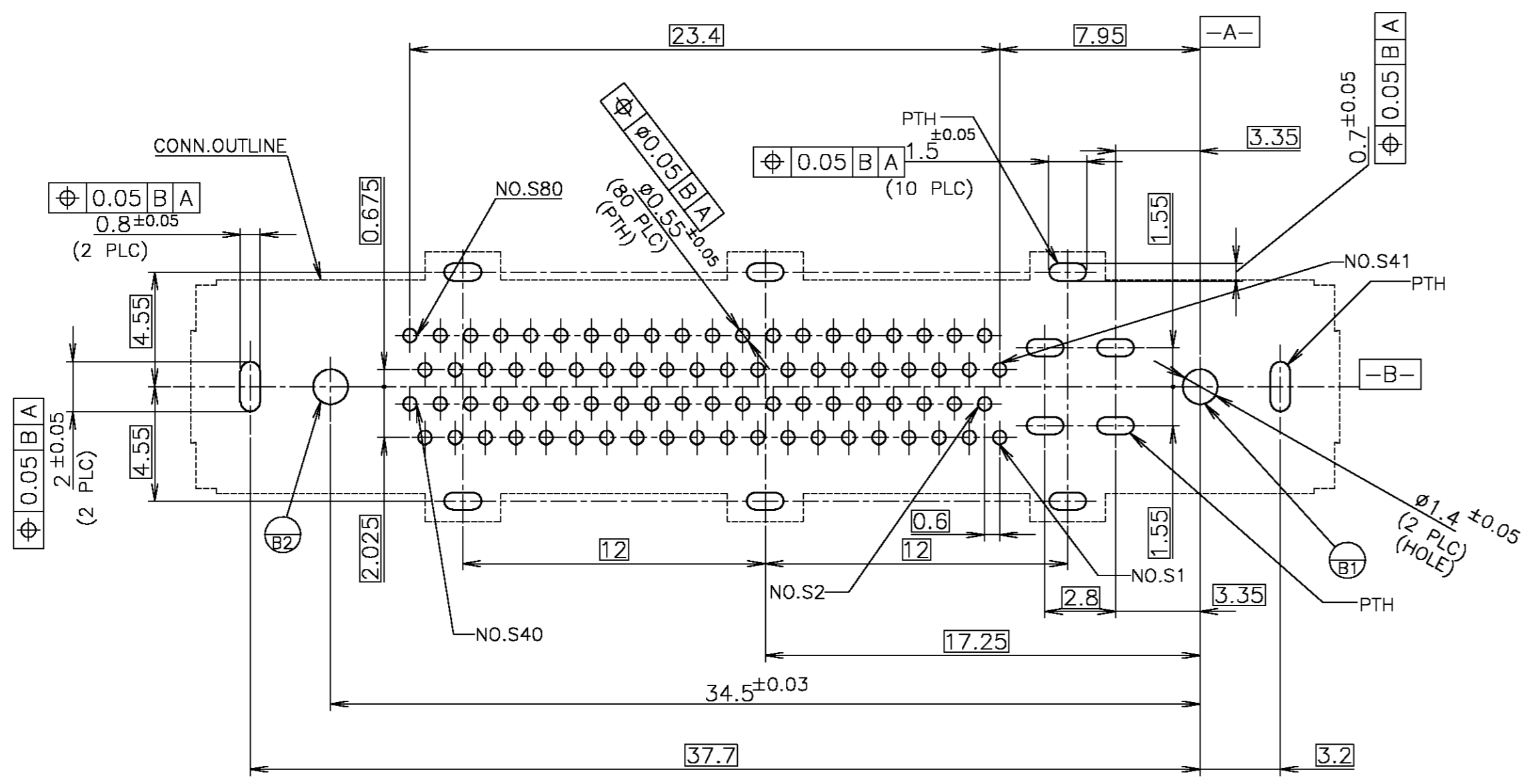
鉛フリー
LEAD FREE

GENERAL TOLERANCE
 一般公差
 10 ≥ : ±0.2
 30 ≥ > 10: ±0.25
 100 ≥ > 30: ±0.3
 ANGLES: ±3'

THIS DRAWING IS A CONTROLLED DOCUMENT.		DWN	N. SASAME	30AUG04	Tyco Electronics AMP K.K. Kawasaki, Japan
DIMENSIONS: 単位: 概 MM		CHK	S. KAJINUMA	30AUG04	
TOLERANCES UNLESS OTHERWISE SPECIFIED: 一般公差		APVD	Y. YAMAMOTO	30AUG04	
0 PLC ± 1 PLC ± - 2 PLC ± - 3 PLC ± - 4 PLC ± - ANGLES ± -		PRODUCT SPEC	製品規格	108-78253	
MATERIAL 材料		FINISH 仕上	APPLICATION SPEC 取付適用規格		NAME 名称
				WEIGHT	0.6 DOCKING CONNECTOR
				CUSTOMER DRAWING	REC 80P + POWER 4P
				SCALE 尺度	5:1
				SHEET	1 OF 3
				RESTRICTED TO	番号
					6674147
					REV
					A

THIS DRAWING IS UNPUBLISHED. RELEASED FOR PUBLICATION OCT., 2002.
 © COPYRIGHT 2002 BY TYCO ELECTRONICS CORPORATION. ALL RIGHTS RESERVED.

LOC	DIST	REVISED					
J		P	LTR	DESCRIPTION	DATE	DWN	APVD
		-	-	SEE SHEET 1	-	-	-



REC RECOMMENDED P.C.BOARD LAYOUT
(REFERENCE)

- △材質
 ハウジング : 熱可塑性樹脂 UL94V-0, 黒
 シグナルコンタクト : 銅合金
 パワーコンタクト : 銅合金
 グランドプレート, ESDコンタクト : 銅合金
 タインプレート : 熱可塑性樹脂 UL94V-0, 黒
- △仕上げ
 シグナルコンタクト & パワーコンタクト :
 ニッケル下地接点部金めっき、はんだ付け部すずめっき
 グランドプレート : すずめっき (リフロー)
 ESDコンタクト : すずめっき
- 3 適用基板厚 : 1.2±0.1mm
 4 かん合相手型番 : 6674154-1
 5 トレイ 材質 ; PS 色 ; NATURAL
 6 トレイの寸法とコネクタの方向は本図を参照のこと
 7 一般公差 : ±0.3 ±3°
 8 数量 : 55EA/TRAY

- △1 MATERIAL
 HOUSING, TINE PLATE : THERMOPLASTIC, UL94V-0, BLACK
 SIGNAL CONTACT : COPPER ALLOY
 POWER CONTACT : COPPER ALLOY
 GROUND PLATE, ESD CONTACT : COPPER ALLOY
- △2 FINISH
 SIGNAL CONTACT & POWER CONTACT :
 Au PL. ON CONTACT AREA
 TIN PL. ON SOLDER AREA
 Ni UNDER PL. ALL OVER
 GROUND PLATE :
 TIN PL. (REFLOW)
 ESD CONTACT : TIN PL. ALL OVER
- 3 APPLICABLE THICKNESS OF P.C.BOARD : 1.2±0.1mm
 4 CONNECTOR TO BE MATED : 6674154-1
 5 TRAY MATERIAL ; PS COLOR ; NATURAL
 6 THE DIRECTION OF EACH CONNECTOR ON A TRAY IS
 REFERRED TO THIS DRAWING.
 7 GENERAL TOLERANCE : ±0.3 ±3°
 8 QUANTITY : 55EA/TRAY

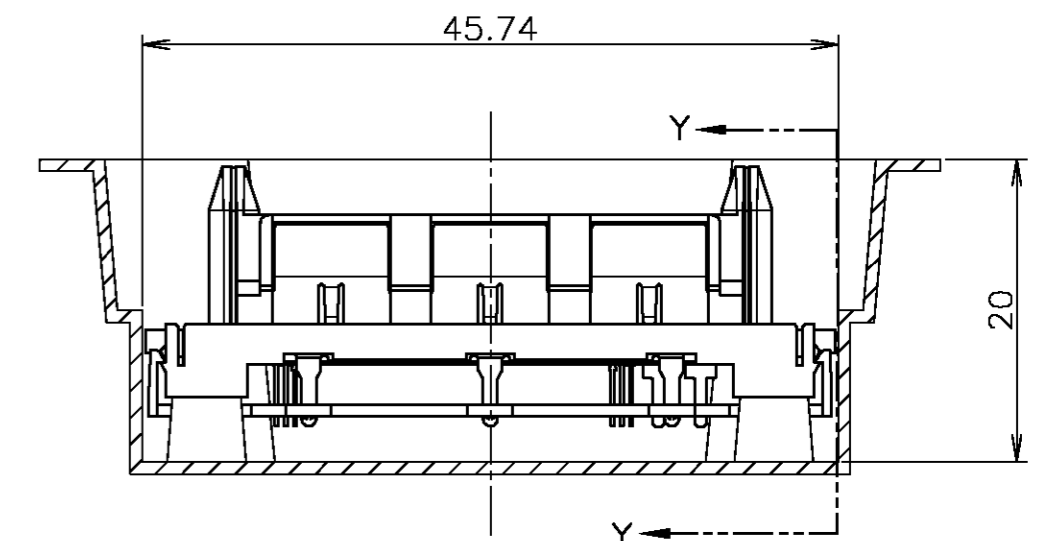
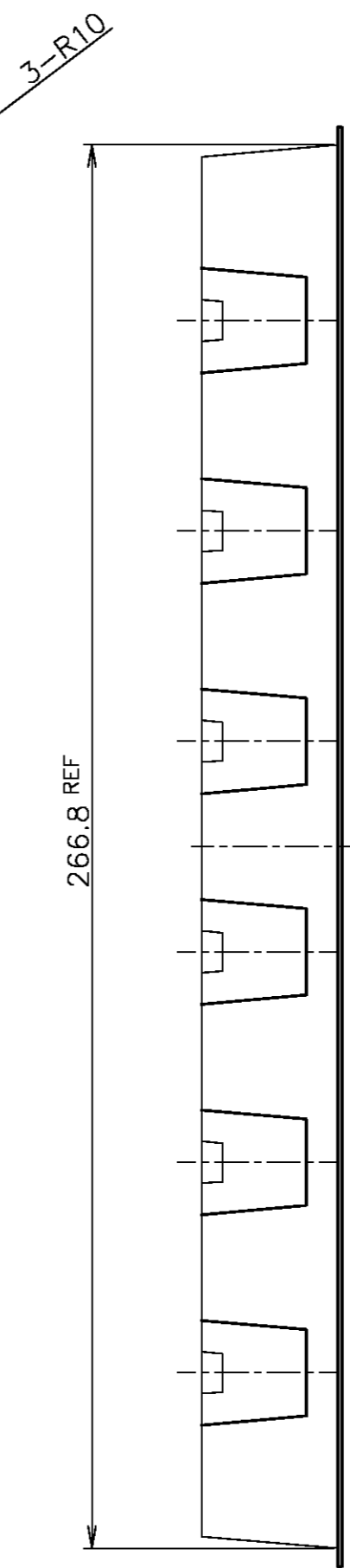
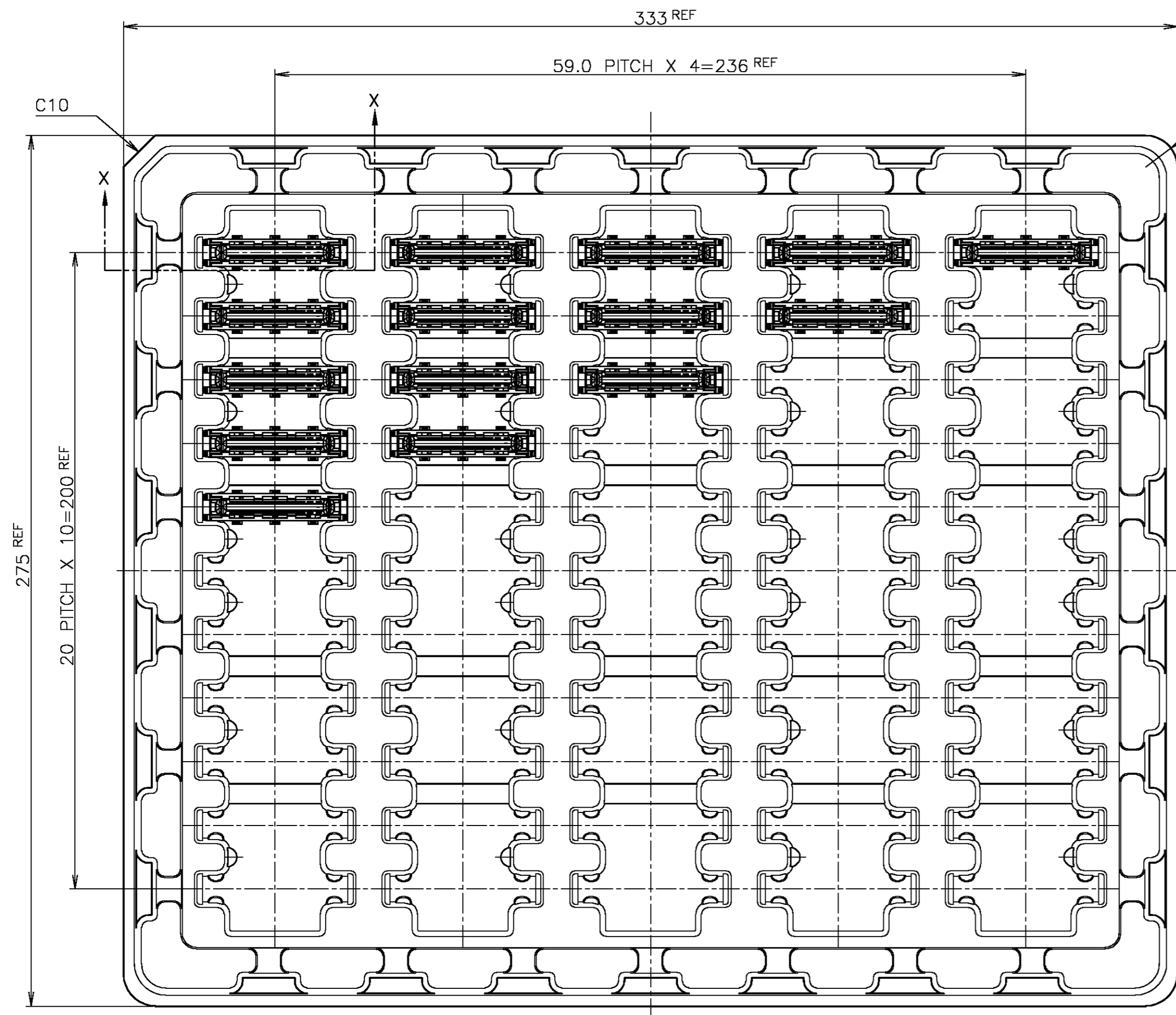
鉛フリー
LEAD FREE

THIS DRAWING IS A CONTROLLED DOCUMENT.		DWN	tyco Tyco Electronics AMP K.K. Kawasaki, Japan	
DIMENSIONS: 単位: 群 MM		CHK	NAME 名称	
TOLERANCES UNLESS OTHERWISE SPECIFIED 一般公差		APVD	0.6 DOCKING CONNECTOR	
0 PLC ±		PRODUCT SPEC 製品規格	REC 80P + POWER 4P	
1 PLC ±		APPLICATION SPEC 取付適用規格	SIZE A2	CAGE CODE 00779
2 PLC ±		WEIGHT	DRAWING NO. 番号	RESTRICTED TO
3 PLC ±			C=6674147	
4 PLC ±				
ANGLES ±				
FINISH 仕上		CUSTOMER DRAWING	SCALE 尺 5:1	SHEET 2 OF 3
				REV A

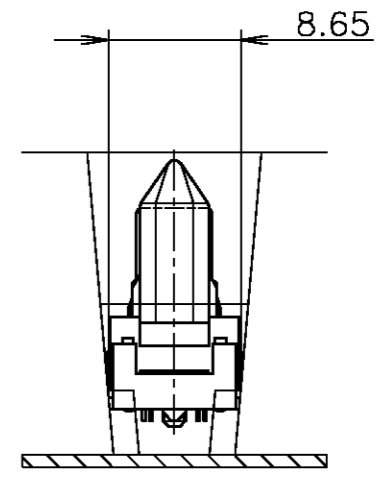
THIS DRAWING IS UNPUBLISHED. RELEASED FOR PUBLICATION OCT., 2002.
 © COPYRIGHT 2002 BY TYCO ELECTRONICS CORPORATION. ALL RIGHTS RESERVED.

LOC		DIST		REVISIONS			
P	LTR	DATE	DWN	APVD	DESCRIPTION		
-	-	-	-	-	SEE SHEET 1		

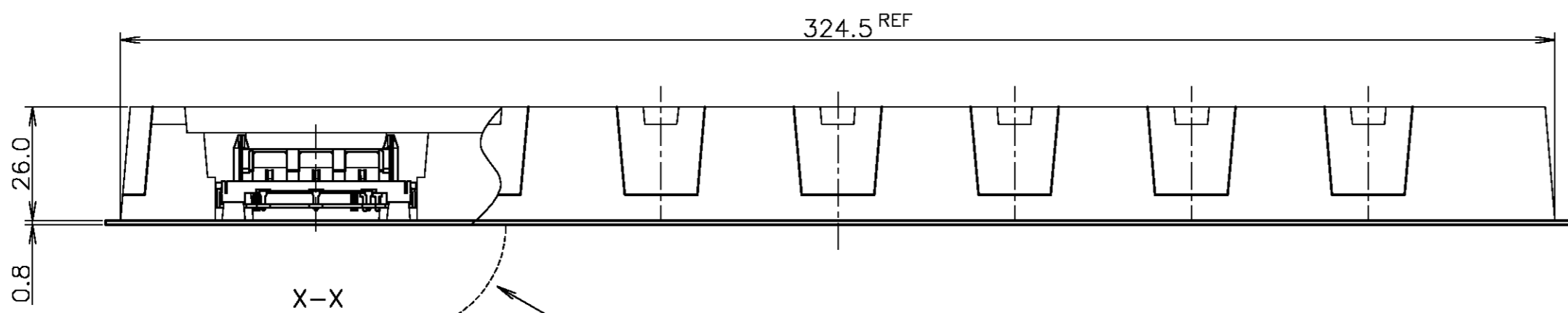
SEMI HARD TRAY ASSY



DETAIL A
SCALE 2:1



Y-Y



DETAIL A

鉛フリー
LEAD FREE

THIS DRAWING IS A CONTROLLED DOCUMENT.		DWN	tyco Tyco Electronics AMP K.K.	
DIMENSIONS: 単位: 寸 (MM)		CHK	Kawasaki, Japan	
TOLERANCES UNLESS OTHERWISE SPECIFIED 一般公差		APVD	NAME 名称	
0 PLC ±	1 PLC ±	PRODUCT SPEC 製品規格	0.6 DOCKING CONNECTOR	
2 PLC ±	3 PLC ±	APPLICATION SPEC 取付適用規格	REC 80P + POWER 4P	
4 PLC ±	ANGLES ±	WEIGHT	SIZE A2	CAGE CODE 00779
MATERIAL 材料	FINISH 仕上	CUSTOMER DRAWING	DRAWING NO. 番号 C=6674147	RESTRICTED TO
			SCALE 尺度 NTS	SHEET 3 OF 3