

## SIRI-DOME

~145° wide beam. Assembly with installation tape.

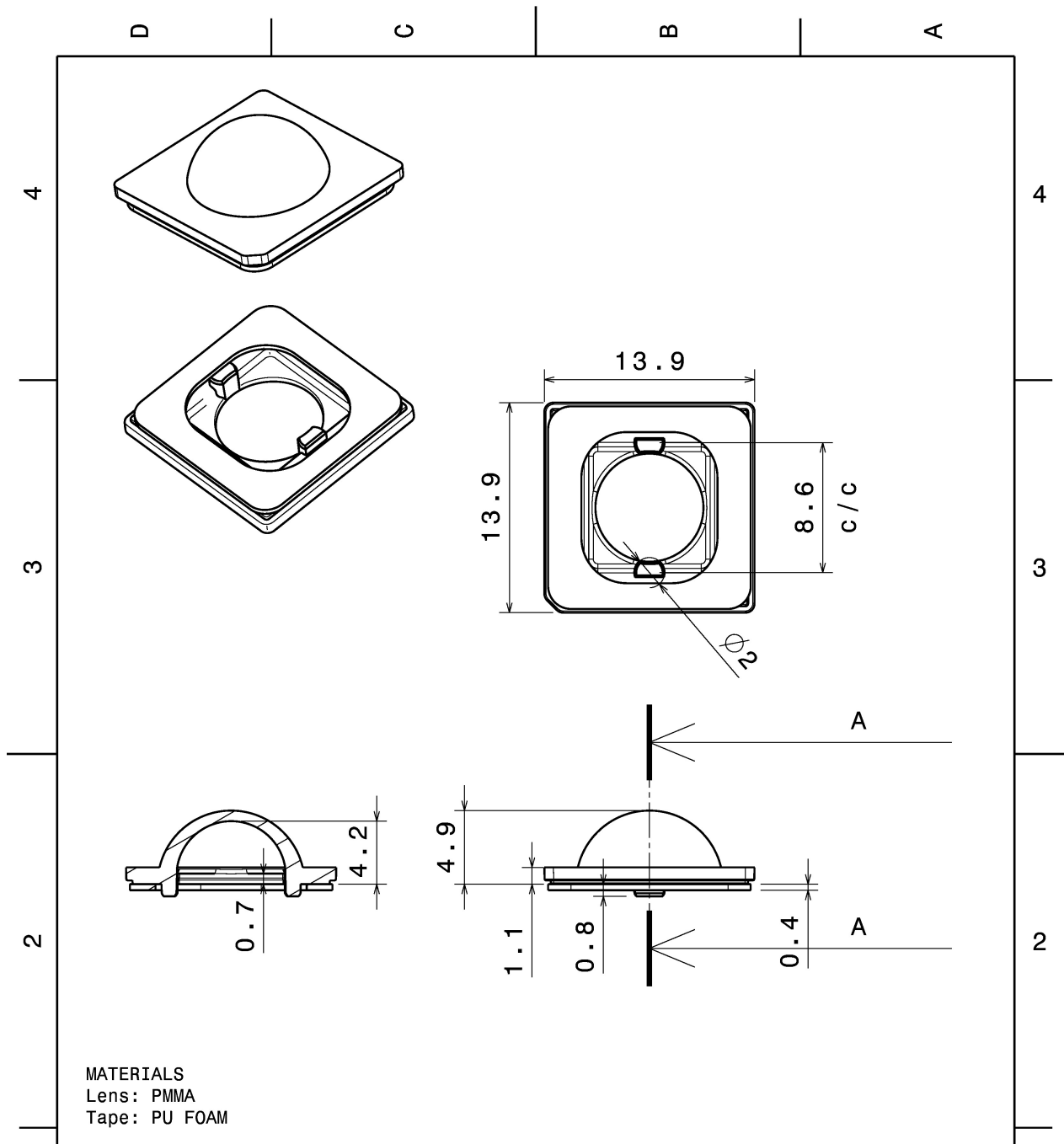
### TECHNICAL SPECIFICATIONS:

Dimensions	13.9 mm
Height	5.3 mm
Fastening	tape, pin
Colour	clear
Box size	
Box weight	5.4 kg
Quantity in Box	5488 pcs
ROHS compliant	yes ⓘ



### MATERIAL SPECIFICATIONS:

Component	Type	Material	Colour
SIRI-DOME	Lens	PMMA	clear
SIRI-TAPE	Tape	PU tape	



**MATERIALS**  
Lens: PMMA  
Tape: PU FOAM

This drawing is our property. It can't be reproduced or communicated without our written agreement.



Ledil Oy  
Salorankatu 10  
FIN 24240 SALO  
Finland

Ledil Oy  
Salorankatu 10  
FIN-24100 SALO  
Finland

DRAWN BY		DATE		DRAWING TITLE			
as		23.07.2012		Datasheet SIRI-DOME/-DIFF assy			
CHECKED BY		DATE		SIZE	PART NUMBER		REV
ol		23.07.2012		A4			001
DESIGNED BY		DATE		SCALE	1:1	WEIGHT	SHEET 1/1
pv		23.11.2011					

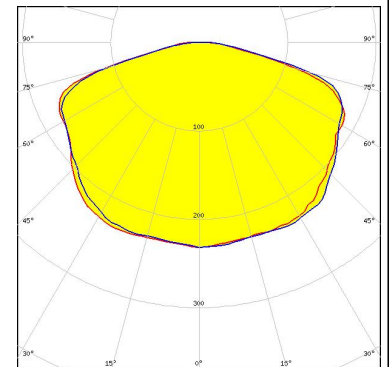
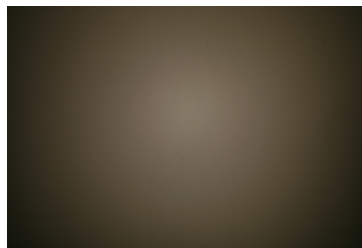
### PHOTOMETRIC DATA (MEASURED):

#### CREE

LED XM-L  
FWHM 149.0°  
Efficiency 97 %  
Peak intensity 0.240 cd/lm  
Required components:

#### CREE

LED XM-L2  
FWHM 151.0°  
Efficiency 97 %  
Peak intensity 0.200 cd/lm  
Required components:

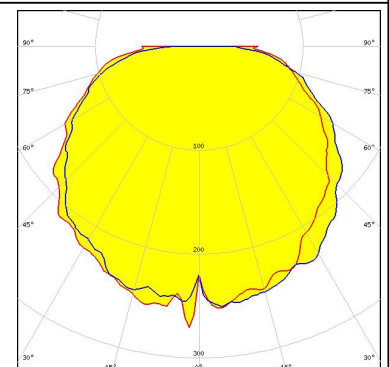


#### CREE

LED XP-G2  
FWHM 144.0°  
Efficiency 97 %  
Peak intensity 0.260 cd/lm  
Required components:

#### CREE

LED XT-E  
FWHM 148.0°  
Efficiency 97 %  
Peak intensity 0.240 cd/lm  
Required components:



### PHOTOMETRIC DATA (MEASURED):

#### LUMILEDS

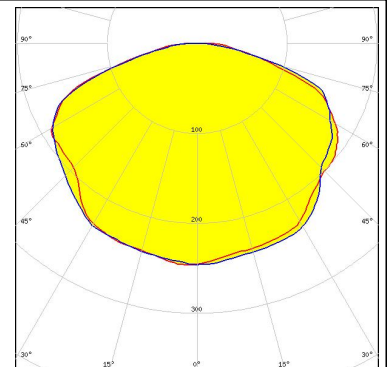
LED LUXEON A  
FWHM 144.0°  
Efficiency 97 %  
Peak intensity 0.260 cd/lm  
Required components:

#### LUMILEDS

LED LUXEON Rebel  
FWHM 138.0°  
Efficiency 96 %  
Peak intensity 0.290 cd/lm  
Required components:

#### NICHIA

LED NS9x383  
FWHM 144.0°  
Efficiency 97 %  
Peak intensity 0.246 cd/lm  
Required components:



#### OSRAM Opto Semiconductors

LED Oslon Square EC  
FWHM 134.0°  
Efficiency 97 %  
Peak intensity 0.280 cd/lm  
Required components:

### GENERAL INFORMATION:

NOTE: The typical beam angle will be changed by different color, chip size and chip position tolerance. The typical total beam angle is the full angle measured where the luminous intensity is half of the peak value.

### MATERIALS:

As part of our continuous research and improvement processes, and to ensure the best possible quality and availability of our products, LEDiL reserves the right to change material grades without notice.

### PRODUCT DATA USER AGREEMENT AND DISCLAIMER:

The measured data in the provided downloadable LEDiL Product Datasheets and Mechanical 2D-Drawings is rounded and provided as reference for planning. LEDiL Oy's optical specifications have been verified by conducting performance testing of the products in accordance with the company's quality system. The reported data are averaged results of multiple measurements with typical variation. LEDiL Oy reserves the right to without prior notification make changes and improvements to its products.

LEDiL Oy assumes neither warranty, nor guarantee nor any other liability of any kind for the contents and correctness of the provided data. The provided data has been generated with highest diligence but the provided data may in reality not represent the complete possible variation range of all intrinsic parameters. Therefore, in certain cases a deviation from the provided data could occur.

LEDiL Oy reserves the right to undertake technical changes of its products without further notification which could lead to changes in the provided data. LEDiL Oy assumes no liability of any kind for the possible deviation from any provided data or any other damage resulting from the usage of the provided data.

The user agrees to this disclaimer and user agreement with the download or usage of the provided files.

#### LEDiL Oy

Joensuunkatu 13  
FI-24240 SALO  
Finland

#### LEDiL Inc.

228 West Page Street  
Suite D  
Sycamore IL 60178  
USA

#### Local sales and technical support

[www.ledil.com/  
where\\_to\\_buy](http://www.ledil.com/where_to_buy)

#### Shipping locations

Salo, Finland  
Hong Kong, China

#### Distribution Partners

[www.ledil.com/  
where\\_to\\_buy](http://www.ledil.com/where_to_buy)