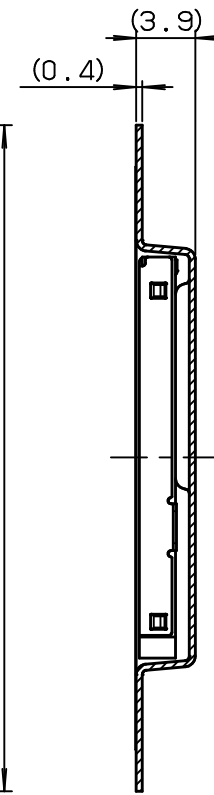
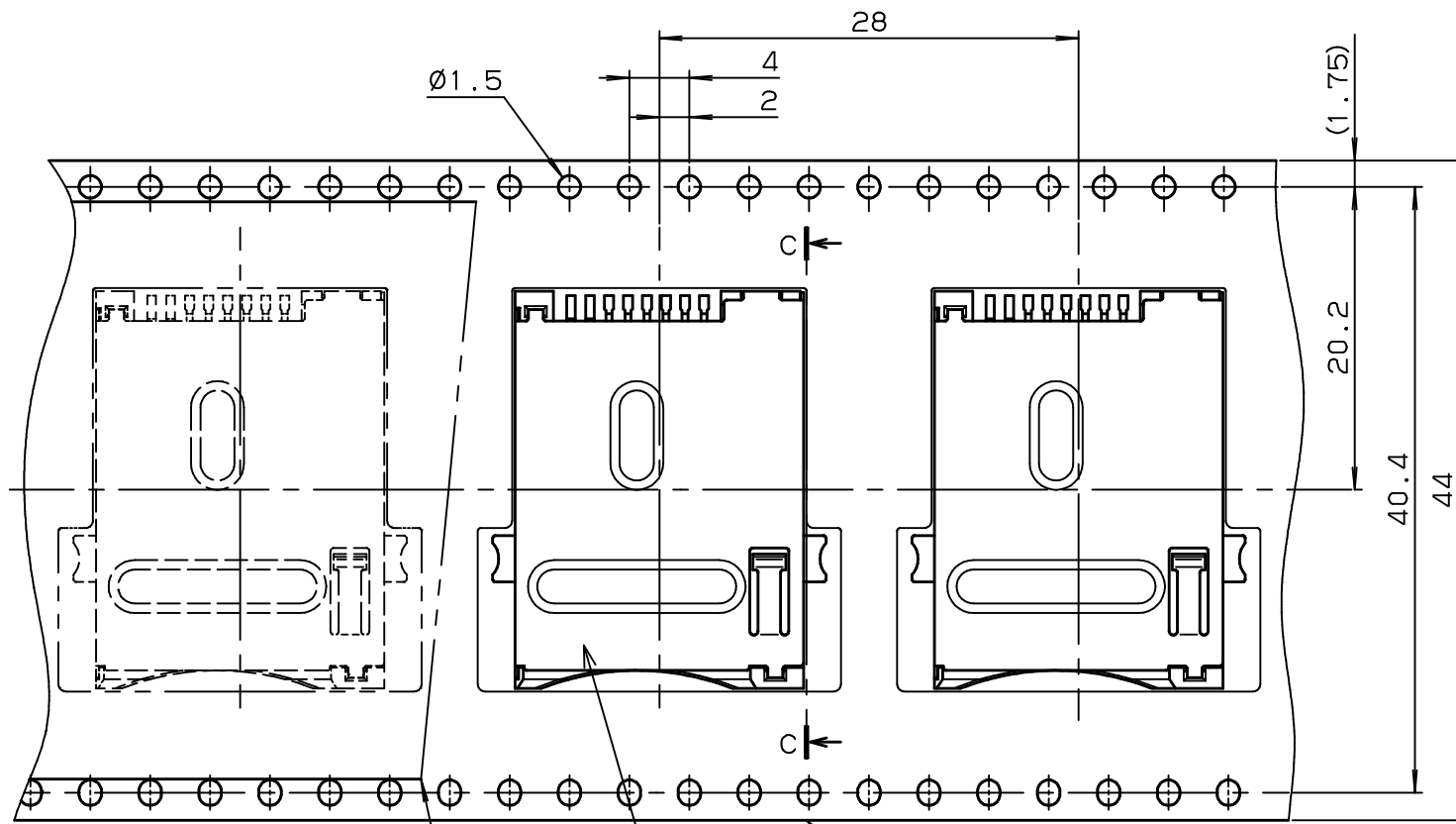
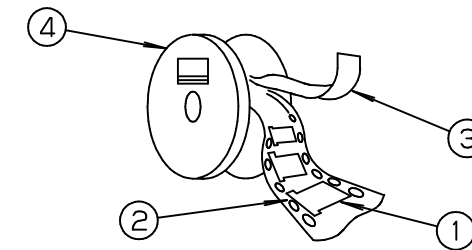


NO.	DESCRIPTION	PART NO.	QTY	MATERIAL	DRW NO.	REMARKS
1	CONNECTOR	00 5036 006 XXX 862	500			
2	EMBOSED TAPE		1	POLYSTYRENE		
3	TOP COVER TAPE		1	POLYSTYRENE		
4	REEL		1	POLYSTYRENE		



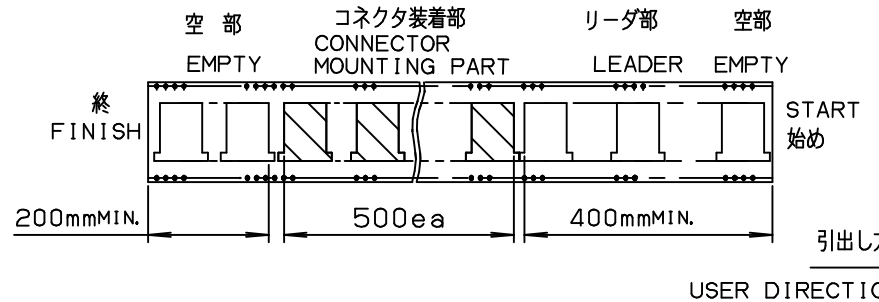
注 記 NOTE

1. 納入数量 : 500個/reel  
QUANTITY : 500 ea/reel
2. 納入時のリール巻き方向  
REELING DIRECTION  
IN DELIVERY



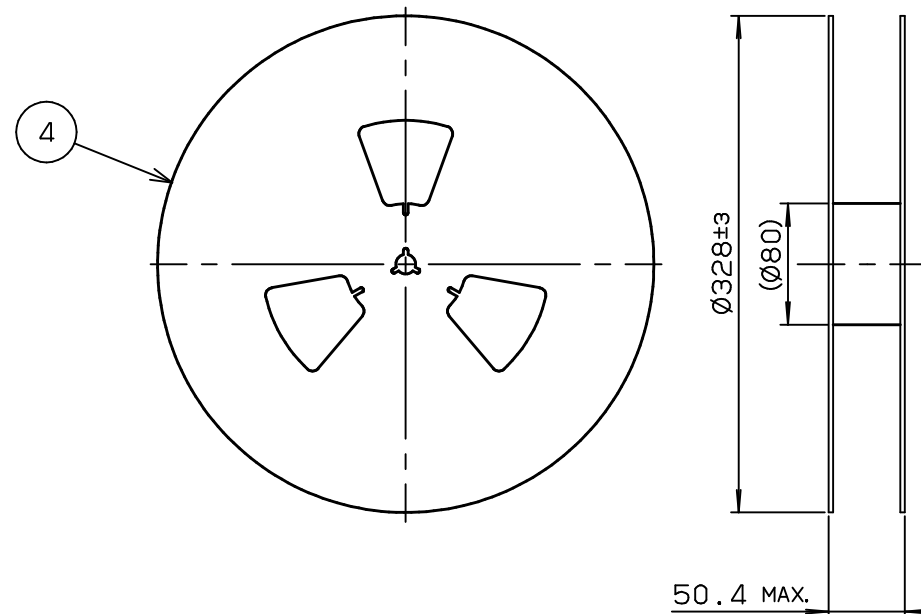
3. 引出し方向

USER DIRECTION OF FEED



SECT. C-C

ORDERING CODE 04 5036 006 XXX 862  
 SERIES 5036:SERIES 5036  
 NO. of CONT 006:6P  
 VARIATION 1  
 099:With BOSS (PITCH 15.54)  
 100:With BOSS (PITCH 13.52)  
 101:Without BOSS  
 FINISH CODE  
 862:UNDER COATED:Ni 1.5~2.5 $\mu$ m  
 CONTACT AREA:Au0.5 $\mu$ m MIN  
 TAIL AREA:SnPb 2~4 $\mu$ m (Sn:Pb=9:1)



REEL DIMENSION (S=1/5)

TOLERANCE / 一般公差 (S)		PRODUCT SPEC / 製品規格							
X < 10	±0.2	UNIT	ANGLE	0	EDN-137	2-26-03			
10 ≤ X < 30	±0.25	mm	3RD	NO.	EDN/DCN	DATE	ISSUE	CHECKED	APPROVED
30 ≤ X	±0.3	SCALE	DATE	PART NAME / 品名					
ANGLE / 角度	±3°	2 / 1	2-26-03	SERIES 5036 TYPE S/E METAL SHELL SIM CONNECTOR ASSY SMT 44mm TAPING					
DRAWN	DESIGNED	CHECKED	APPROVED	PART NO. / 型番					
T. MORI	T. MORI			04 5036 006 XXX 862					
KYOCERA				DWG NO. / 図番		SHEET / REV			
KYOCERA ELCO CORPORATION				BJS 5036010		1 / 1		0	

