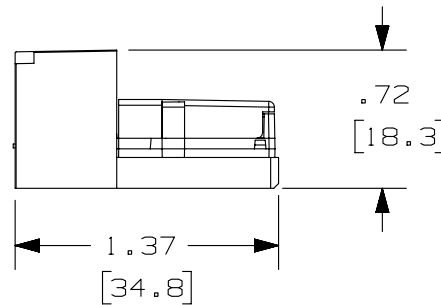
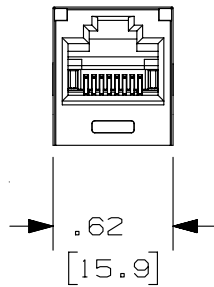
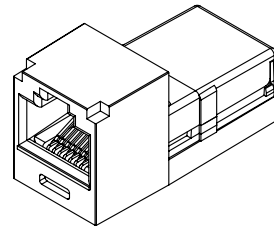
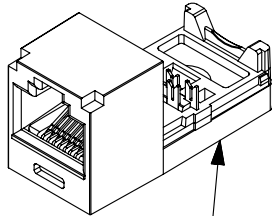
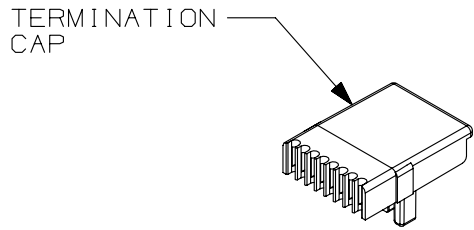


THIS COPY IS PROVIDED ON A RESTRICTED BASIS AND IS NOT TO BE USED IN ANY WAY DETRIMENTAL TO THE INTERESTS OF PANDUIT CORP.

PANDUIT PART NO.	DESCRIPTION	WEIGHT
CJ588**Y	8 POSITION, 8 WIRE UNIVERSAL MODULE. TERMINATION CAP IS COLOR CODED FOR EIA/TIA 568A AND/OR 568B WIRING.	1.25 LB/100 PCS (566 g/100 PCS)
CJ588A**Y	8 POSITION, 8 WIRE UNIVERSAL MODULE. TERMINATION CAP IS COLOR CODED FOR EIA/TIA 568A WIRING.	1.25 LB/100 PCS (566 g/100 PCS)
CJ588B**Y	8 POSITION, 8 WIRE UNIVERSAL MODULE. TERMINATION CAP IS COLOR CODED FOR EIA/TIA 568B WIRING.	1.25 LB/100 PCS (566 g/100 PCS)



NOTES:

- SEE CURRENT CATALOG FOR ADDITIONAL PART NUMBER SUFFIXES TO INDICATE COLOR AND OR PACKAGE QUANTITY.
- MATERIAL:
MODULE HOUSING - ABS - NOMINAL WALL THICKNESS .078(2.0).
TERMINATION CAP - POLYCARBONATE
- ALL MINI-COM MINI-JACK 8 POSITION, 8 WIRE MODULES ARE UNIVERSAL IN DESIGN. THEY WILL ACCEPT TWO, THREE, OR FOUR PAIR MODULAR PLUGS WITHOUT DAMAGE.
- THIS PART IS DESIGNED FOR USE WITH MINI-COM OUTLETS.
- MEETS ALL CATEGORY 5e PERFORMANCE REQUIREMENTS AS DEFINED BY EIA/TIA.
- DIMENSIONS IN PARENTHESIS ARE IN METRIC.

PART NUMBER CJ588**Y, CJ588A**Y, CJ588B**Y		PANDUIT
TITLE MINI-COM MINI-JACK CATEGORY 5e CONNECTOR MODULE		
CUSTOMER DRAWING		
ITEM REVISION NAME M02479MU/00		
DATASET FILE NAME M02479MU_DC334/00B		MATERIAL: SEE NOTES
UNLESS OTHERWISE SPECIFIED, DIMENSIONAL TOLERANCES ARE: IN [mm] .x ± .xxx ± .010 [.3] .xx ± .03 [.8] ANGLES ±		
 THIRD ANGLE PROJECTION		DRAWING NUMBER: 02479-334
DRAWN BY NER	DATE 3-23-06	CHK WJC
SCALE NONE		SIZE A
SHT 1 OF 1		

REV	DATE	BY	CHK	APR	DESCRIPTION	ECN
1	4/25/14	JSP	REFR	EJH	A. REVISED DRAWING TITLE BLOCK.	02479-334
R	3-23-06	NER	WJC	WJC	RELEASED TO PRODUCTION	02479-334

D10100DA/14