

| | |
|----------------|---------|
| PRODUCT NUMBER | PITCH |
| H5xx70x200J0G | 5.00 mm |

Dimension

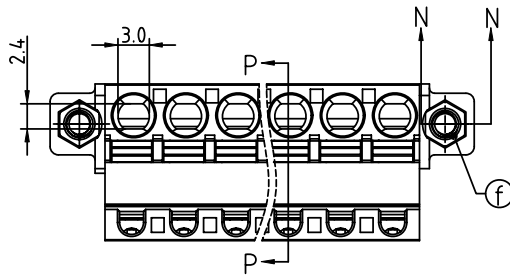
| | |
|-------|---------------------------|
| DIM A | $N \times 5.0 + 0.10$ |
| DIM B | $(N-1) \times 5.0$ |
| DIM C | $(N-1) \times 5.0 + 10.0$ |
| DIM D | $N \times 5.0 + 10.6$ |
| DIM E | $N \times 5.0 + 0.4$ |

N=Number of poles

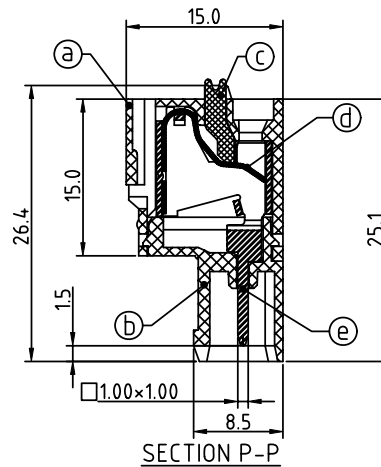
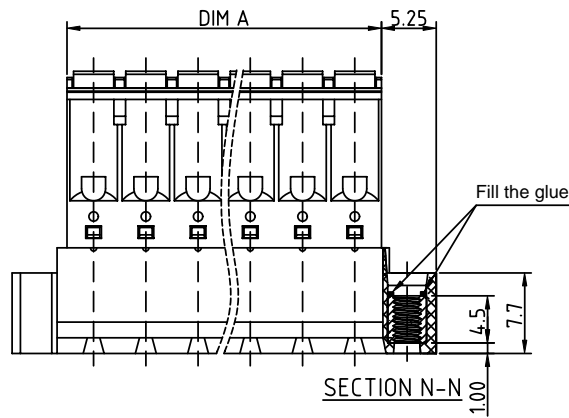
| POLES | Tolerance |
|---------|------------|
| 2p-6p | ± 0.15 |
| 7p-12p | ± 0.20 |
| 13p-16p | ± 0.30 |
| 17p-24p | ± 0.40 |

PART NO.: H5 xx 7 0 x 2 00J0 G

| | | | | | |
|---|--------------|---|-------------------|---|-----------------|
| ↓ | Solid block | 0 | Black (RAL9005) | ↓ | RoHS compliant |
| ↓ | No. of poles | 2 | Red (RAL3001/D) | ↓ | (lead<4%) |
| ↓ | 02 2 poles | 3 | Orange(RAL2011/P) | ↓ | In copper Alloy |
| ↓ | 03 3 poles | 4 | Yellow(RAL1018/A) | | |
| ↓ | ... | 5 | Green(RAL6018/T) | | |
| ↓ | 24 24 poles | 6 | Blue (RAL5015/A) | | |
| | | 8 | Grey(RAL7035/D) | | |
| | | 9 | White(RAL1102) | | |
| | | C | Green(RAL6018/U) | | |



A



Material:

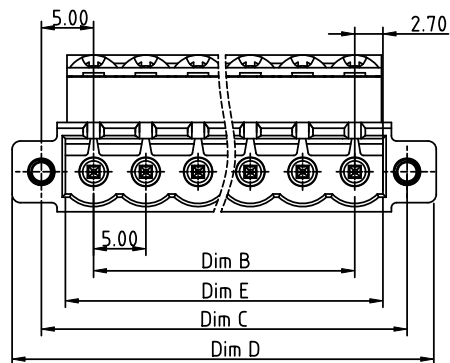
- Item a Top body:Thermoplastic (UL94V-0)
- Item b Bottom body:Thermoplastic (UL94V-0)
- Item c Terminal lever:Thermoplastic (UL94V-0) Orange (RAL2001/P)
- Item d Spring clamp:Stainless Steel
- Item e Male contact pin:PhBz (CuSn) Tin plated
- Item f Flange Nut; Brass M2.5

Electrical

- Voltage rating: 300V
- Current rating: 10A
- Solid wire(AWG): 12-26
- Stranded wire(AWG): 12-26
- Wire strip length: 9-10mm
- Withstanding Voltage: 1.6KV
- Operating temperature: -40°C to +115°C
- Safety Approval: cULus

cULus

B



| | | | | | | |
|---------------------------------------|----------------|--|-------------------------|----------------|--|------------------|
| mat'l. code | | surface ASME Y14.5 ✓ | tolerance ASME Y14.5 | projection | product family TERMINAL BLOCK | |
| ltr | ecn no | dr | date | MM ← → | title TERMINAL BLOCK SPRING CLAMP PLUGGABLE PLUG MALE CONNECTOR FLANGE WITH NUT | |
| tolerances unless otherwise specified | | | | | | |
| angles $X^\circ \pm 1'$ | | $X \pm 0.5$ $X.X \pm 0.3$ $X.XX \pm 0.1$ | | scale | dwg no | |
| dr | ENGR | EVIN ZHONG | 051614 | | sheet 1 of 1 size | |
| enr | EVIN ZHONG | 051614 | | | H5xx70x200J0G | A4 |
| chr | HANKE FENG | 051614 | | | type | CUSTOMER Drawing |
| appd | SHI JUN | 051614 | | | | |
| sheet index | revision sheet | A | 1 | | | |