

INLINE FUSE HOLDER FOR ATO® STYLE BLADE FUSE

RoHS



Description

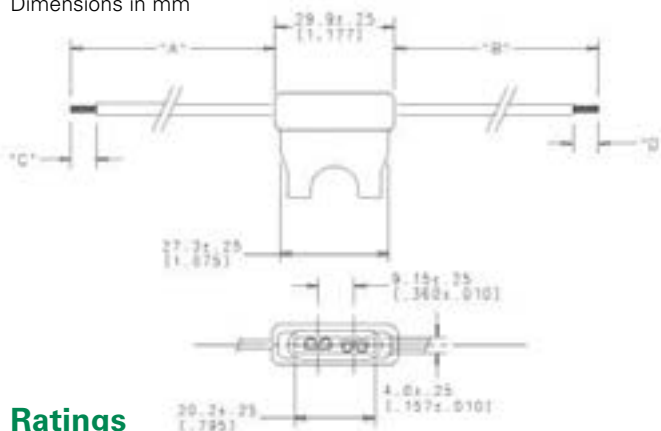
Used with ATO®/ FKS Fuse. Supplied with two 4" / 102mm wire leads.

Ordering Information

Part Number	Package Size
0FHA0001ZXJ	1000
0FHA0002ZXJ	1000

Dimensions

Dimensions in mm



Ratings

Part Number	Description	Fuse Rating
0FHA0001_	16AWG/1.3mm ² stranded black wire	20 A
0FHA0002_	12AWG/3.3mm ² stranded orange wire	30 A

Wire length, color and diameter can be customized upon request. Customization requires minimum order quantities depending on nature of modifications. Please contact your sales representative for details.

INLINE SPLASHPROOF FUSE HOLDER

for ATO® Style Blade Fuse

RoHS



Description

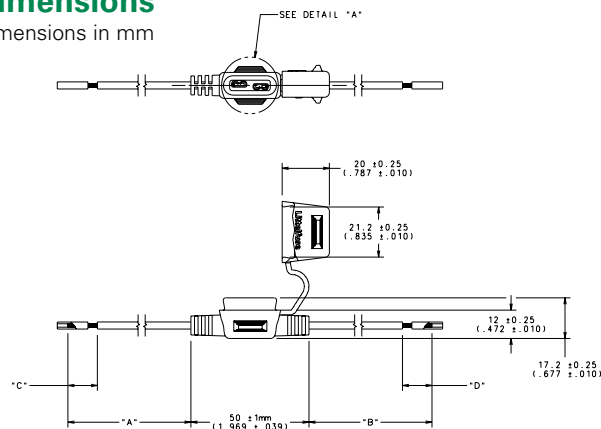
Used with ATO® / FKS Fuse. Supplied with two 3.5" / 90mm wire leads. Includes protective cover for harsh environment.

Ordering Information

Part Number	Package Size
FHAC0001ZXJ	1000
FHAC0002ZXJ	1000

Dimensions

Dimensions in mm



Ratings

Part Number	Description	Fuse Rating
FHAC0001ZXJ	16AWG/1.3mm ² stranded black wire	20 A
FHAC0002ZXJ	12AWG/3.3mm ² stranded orange wire	30 A

Wire length, color and diameter can be customized upon request. Customization requires minimum order quantities depending on nature of modifications. Please contact your sales representative for details.