

## Interactive Catalog Replaces Catalog Pages

Honeywell Sensing and Control has replaced the PDF product catalog with the new **Interactive Catalog**. The **Interactive Catalog** is a power search tool that makes it easier to find product information. It includes more installation, application, and technical information than ever before.



**Click this icon to try the new  
Interactive Catalog.**

---

### **Sensing and Control**

Honeywell Inc.

11 West Spring Street

Freeport, Illinois 61032

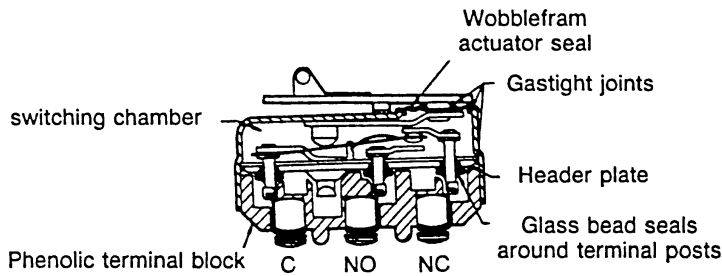
# Basic Switches

## Hermetically Sealed



### GENERAL INFORMATION

HS switches are designed for applications where maximum electrical rating and maximum sealing are essential, and where size and weight requirements are less critical. These switches are side mounted through mounting holes that are outside the sealed switching chamber.



### FEATURES

- Hermetically sealed per MIL-S-8805, design symbol 5 (-67° to +180°F or -55° to 82°C)
- Power load switching capability up to 25 amperes, 28 VDC or 1 amp 115 VAC 60 Hz
- Temperature tolerance from -67°F to +250°F (-55°C to +125°C)
- High temperature construction for use to +300°F (149°C)
- Several styles of integral lever actuators
- Two styles of terminals
- Military standard construction with listings on the MIL-S-8805 qualified products list
- UL recognized File #E12252; CSA certified LR 4442

### ELECTRICAL RATINGS

Circuitry	Electrical Rating Codes
Single-Pole Double-Throw	<b>M</b> 25 amps res., 10 amps ind., 5 amps motor, 3 amps lamp load, 28 vdc; 1 amp res., 1 amp ind., 115 vac, 60 Hz UL-CSA Rating: 1 amp., 115 vac, 60 Hz.
	<b>N</b> 15 amps res., 10 amps ind., 28 vdc; 1 amp res., 1 amp ind., 115 vac, 60 Hz
	<b>O</b> 20 amps res., 10 amps ind., 28 vdc; 1 amp res., 1 amp ind., 115 vac, 60 Hz UL-CSA Rating: 1 amp, 115 vac, 60 Hz
	<b>P</b> 10 amps res., 5 amps ind., 28 vdc; 1 amp res., 1 amp ind., 115 vac, 60 Hz UL-CSA Rating: 1 amp., 115 vac, 60 Hz.

# Basic Switches

## Hermetically Sealed

# HS Series

**Characteristics:** O.F. — Operating Force; R.F. — Release Force; P.T. — Pretravel; O.T. — Overtravel; D.T. — Differential Travel; O.P. — Operating Position.

### ORDER GUIDE



Dim. Dwg. Fig. 1

Catalog Listing	Recommended For	Electrical Rating Code	O.F. max. newtons ounces	R.F. min. newtons ounces	P.T. max. mm inches	O.T. min. mm inches	D.T. max. mm inches	O.P.* mm inches
<b>1HS1 (MS25011-1)</b>	Most applications. MIL-S-8805 (M8805/47)	1 Amp <b>M</b>	2,78-6,12 <b>10-22</b>	1,11 <b>4</b>	1,65 <b>.065</b>	0,25 <b>.010</b>	0,51 <b>.020</b>	13,5 <b>.530</b>
<b>101HS1</b>	Operating in temperature to +250°F (121°C)	1 Amp <b>O</b>	2,78-6,12 <b>10-22</b>	1,11 <b>4</b>	1,65 <b>.065</b>	0,25 <b>.010</b>	0,51 <b>.020</b>	13,5 <b>.530</b>
<b>102HS1</b>	Operating in temperature to +300°F (149°C)	1 Amp <b>P</b>	2,78-8,34 <b>10-30</b>	1,11 <b>4</b>	1,65 <b>.065</b>	0,25 <b>.010</b>	0,51 <b>.020</b>	13,5 <b>.530</b>



Dim. Dwg. Fig. 2

<b>4HS4-118</b>	Lead wire termination	1 Amp <b>N</b>	2,78-6,12 <b>10-22</b>	1,11 <b>4</b>	1,65 <b>.065</b>	0,25 <b>.010</b>	0,51 <b>.020</b>	15,6 <b>.615 = .020</b>
-----------------	-----------------------	-------------------	---------------------------	------------------	---------------------	---------------------	---------------------	----------------------------



Dim. Dwg. Fig. 3

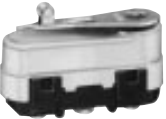
<b>1HS41</b>	Applications requiring added overtravel	1 Amp <b>M</b>	1,11-5,56 <b>4-20</b>	0,56 <b>2</b>	—	1,57 <b>.062 max.</b>	2,54 <b>.100</b>	13,54 <b>.533 approx.</b>
--------------	---	-------------------	--------------------------	------------------	---	--------------------------	---------------------	------------------------------



Dim. Dwg. Fig. 4

<b>1HS6 (MS25011-2)</b>	MIL-S-8805 requirements More operating force	1 Amp <b>M</b>	6,12-7,78 <b>22-28</b>	1,11 <b>4</b>	2,16 <b>.085</b>	0,25 <b>.010</b>	0,51 <b>.020</b>	13,5 <b>.530</b>
-------------------------	---	-------------------	---------------------------	------------------	---------------------	---------------------	---------------------	---------------------

Sealed/High Temperature



Dim. Dwg. Fig. 5

<b>1HS3</b>	Roller lever	1 Amp <b>M</b>	2,78-6,12 <b>10-22</b>	1,11 <b>4</b>	1,65 <b>.065</b>	0,25 <b>.010</b>	0,51 <b>.020</b>	18,3 <b>.720</b>
-------------	--------------	-------------------	---------------------------	------------------	---------------------	---------------------	---------------------	---------------------

Except where stated\* ±0,38mm  
±.015 in.

# Basic Switches

## Hermetically Sealed

HS Series

MOUNTING DIMENSIONS (For reference only)

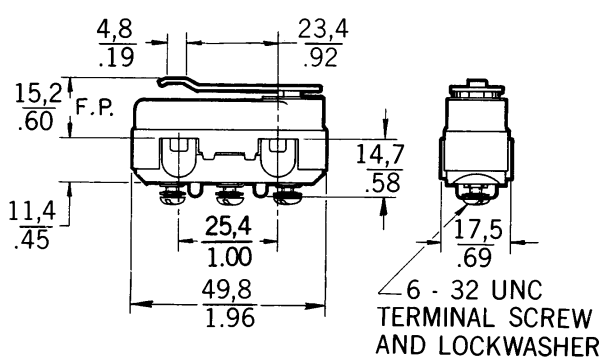


Fig. 1

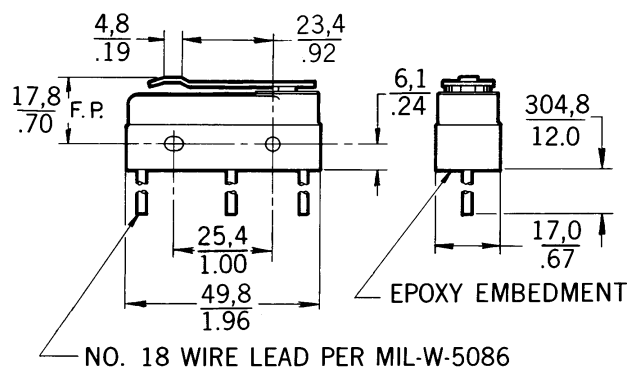


Fig. 2

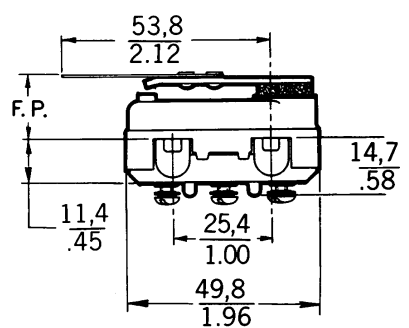


Fig. 3

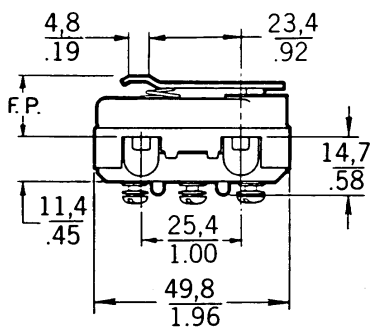


Fig. 4

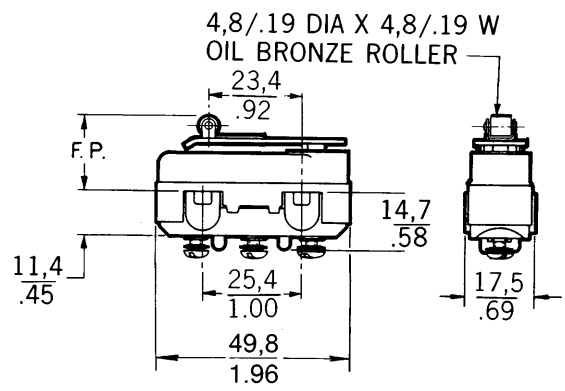


Fig. 5

Fig. 5

Mounting holes will accept pins or screws of .139" (3,53 mm) dia.

Key:  $\frac{0,0}{0.00} = \frac{\text{mm}}{\text{inches}}$