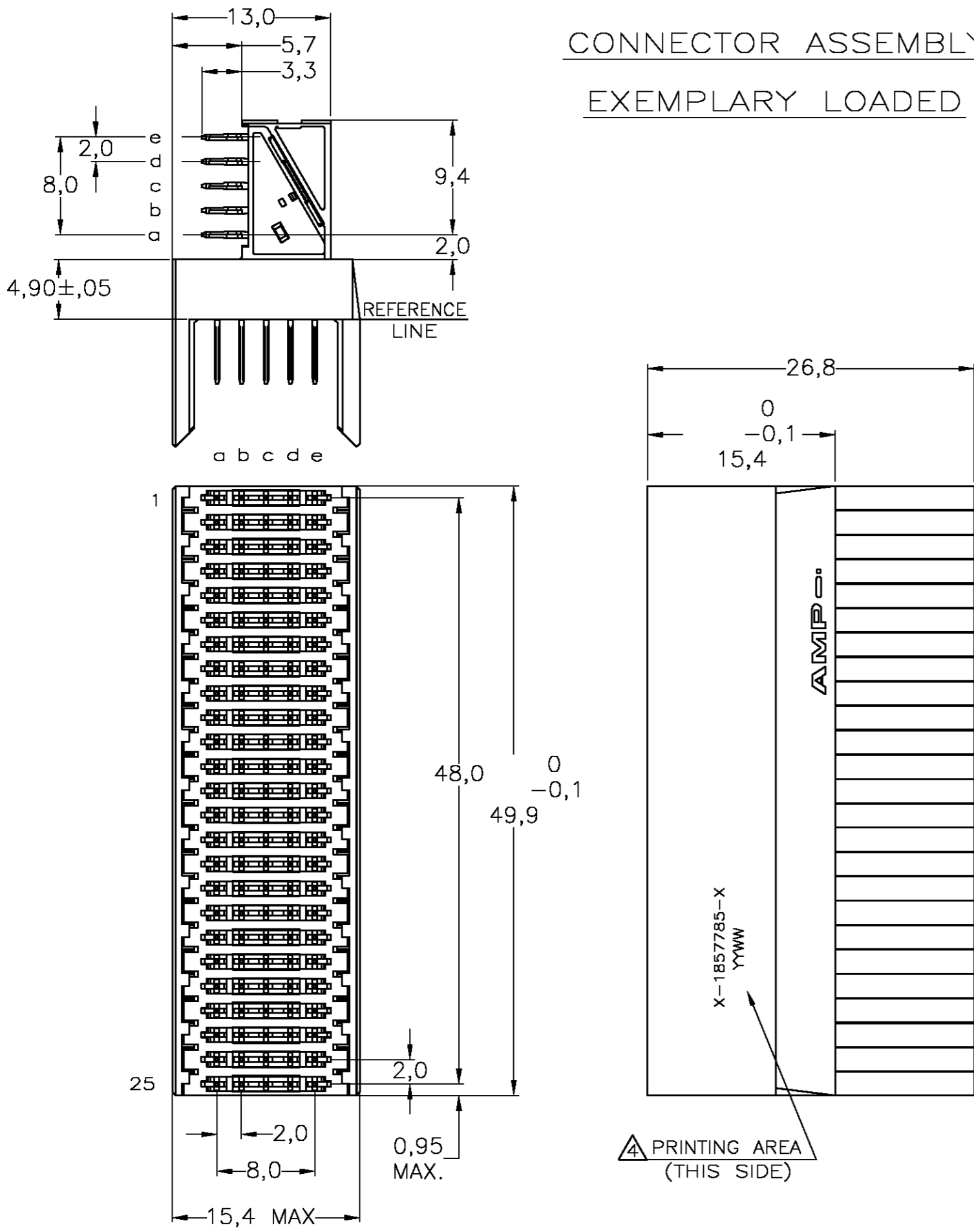


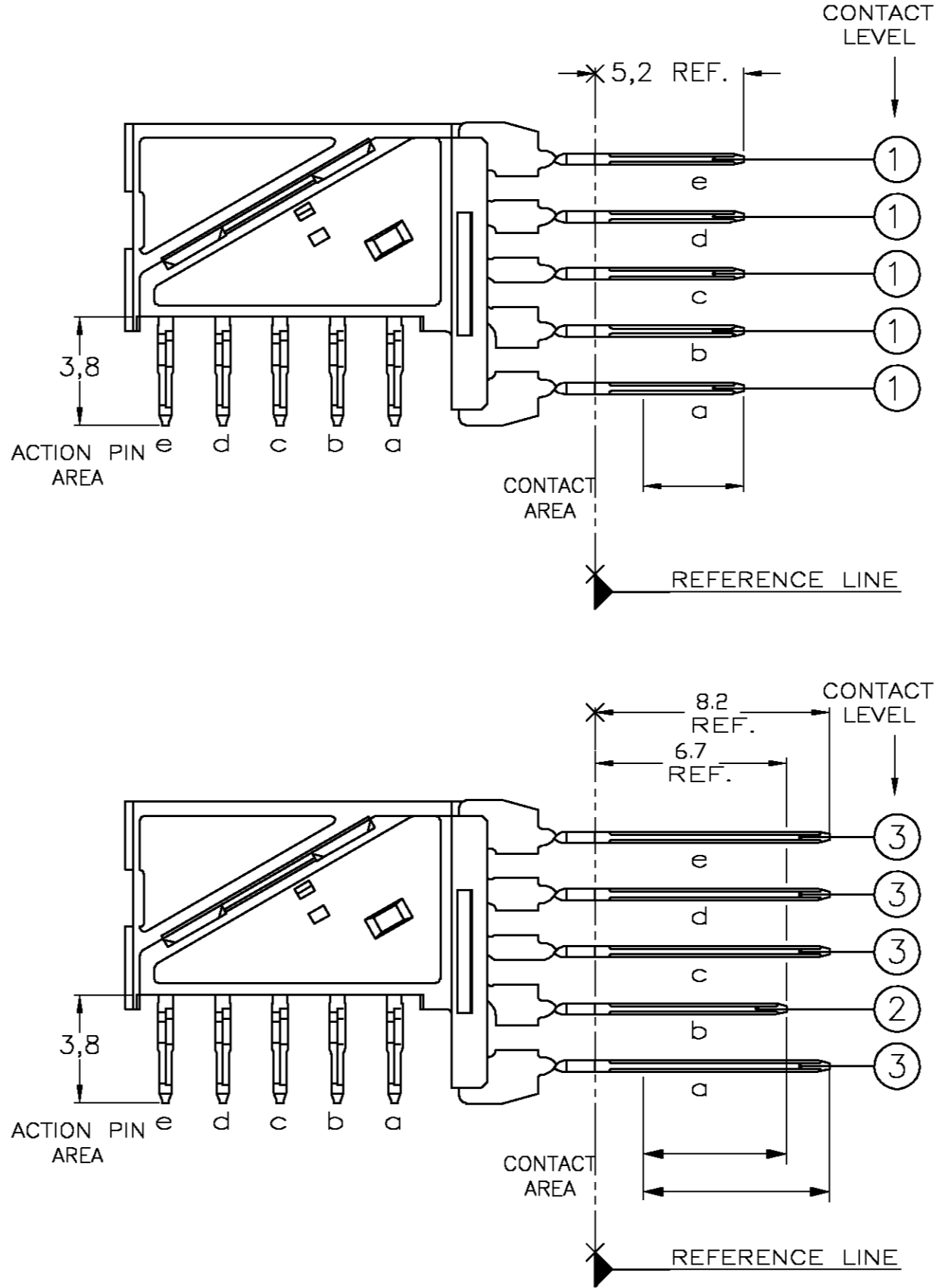
THIS DRAWING IS UNPUBLISHED. RELEASED FOR PUBLICATION  
 © COPYRIGHT BY TYCO ELECTRONICS CORPORATION. ALL RIGHTS RESERVED.

LOC	DIST	REVISIONS					
H	-	P	LTR	DESCRIPTION	DATE	DWN	APVD
		-	-	FIRST ISSUE	-	-	-

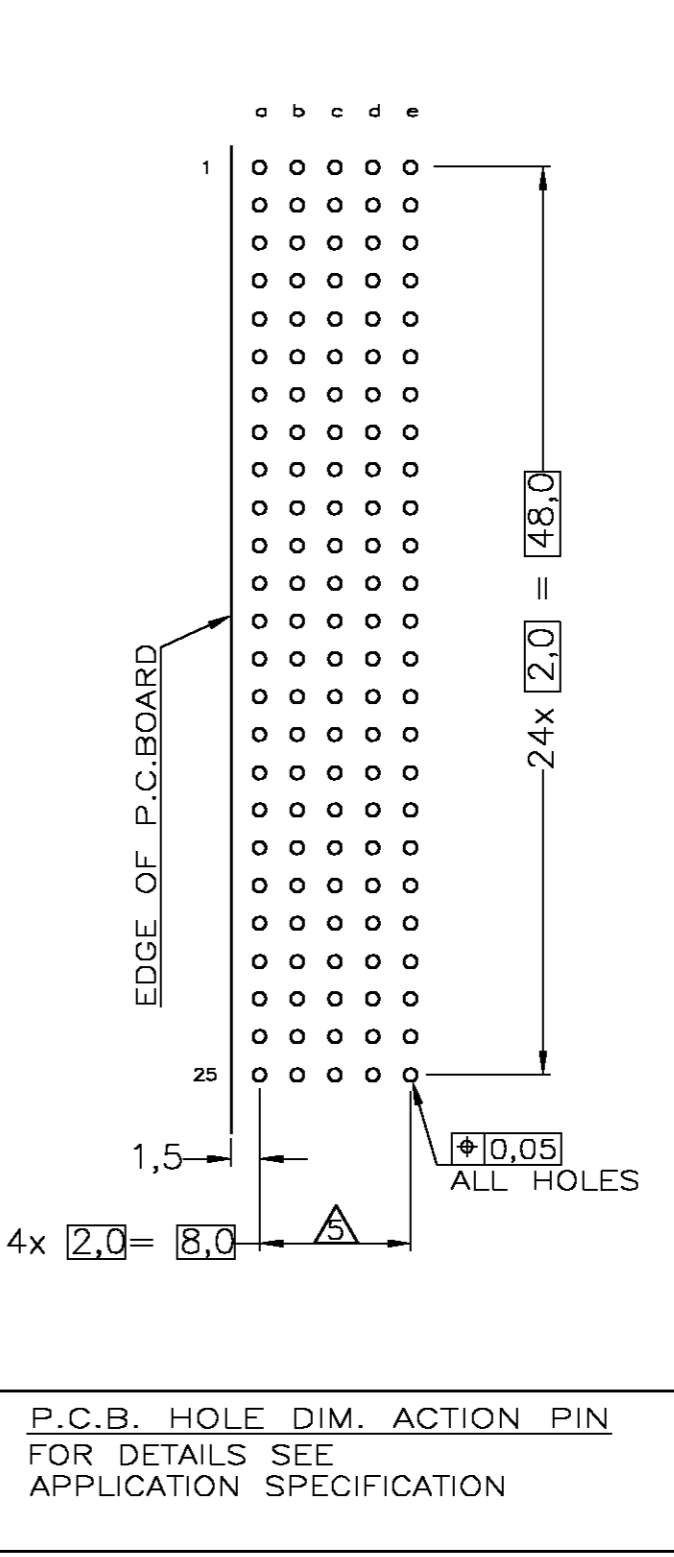
**CONNECTOR ASSEMBLY  
EXEMPLARY LOADED**



**CONTACT DIMENSIONS**



**RECOMMENDED PCB-HOLE LAY-OUT  
COMPONENT SIDE SHOWN**



**CONTACT LAYOUT**

	a	b	c	d	e
1	1	1	1	1	1
2	1	1	1	1	1
3	3	2	3	3	3
4	1	1	1	1	1
5	1	1	1	1	1
6	1	1	1	1	1
7	3	2	3	3	3
8	1	1	1	1	1
9	1	1	1	1	1
10	1	1	1	1	1
11	3	2	3	3	3
12	1	1	1	1	1
13	1	1	1	1	1
14	1	1	1	1	1
15	3	2	3	3	3
16	1	1	1	1	1
17	1	1	1	1	1
18	1	1	1	1	1
19	3	2	3	3	3
20	1	1	1	1	1
21	1	1	1	1	1
22	1	1	1	1	1
23	3	2	3	3	3
24	1	1	1	1	1
25	1	1	1	1	1

P.C.B. HOLE DIM. ACTION PIN  
FOR DETAILS SEE  
APPLICATION SPECIFICATION

- NOTES:**
- △ MATERIAL HOUSING : GREY GLASSFILLED POLYESTER  
UL-RATING V0
  - △ CONTACT : PHOSPHORBRONZE
  - △ GENERAL PLATING SPECIFICATION: UNDERPLATING (ENTIRE CONTACT):  
1,27µm NICKEL MIN. AND ACTION PIN: 0,5µm TIN MIN.  
FOR PLATING OF MATING SURFACES SEE APPLICABLE SPECIFICATION  
REFERENCE FOR EACH DASH NUMBER.
  - △ CONFORMS TO ALL TESTING ACCORDING IEC 61076-4-101  
PERFORMANCE LEVEL 2.
  - △ CONNECTOR PRINTED WITH PARTNUMBER AND DATECODE.
  - △ PLATED-THROUGH HOLES AT 2x2mm SQUARE GRID.

THIS DRAWING IS A CONTROLLED DOCUMENT.		DWN B. MOOIJ 08-JUN-06	Tyco Electronics Corporation 's-Hertogenbosch, Netherlands	
DIMENSIONS: MM		CHK B. MOOIJ 08-JUN-06	1857785-1	
TOLERANCES UNLESS OTHERWISE SPECIFIED:		APVD J. BROEKSTEEG 08-JUN-06	PARTNUMBER	
0 PLC ± -		NAME		
1 PLC ± -		Z-PACK 2MM HM TYPE B		
2 PLC ± -		125 POS. RIGHT ANGLE MALE		
3 PLC ± -		CONNECTOR ASSEMBLY		
4 PLC ± -		SIZE CAGE CODE DRAWING NO RESTRICTED TO		
ANGLES ± -		A2 00779 C=1857785		
FINISH		SCALE SHEET OF REV		
-		NTS 1 OF 1 A		
MATERIAL		CUSTOMER DRAWING		