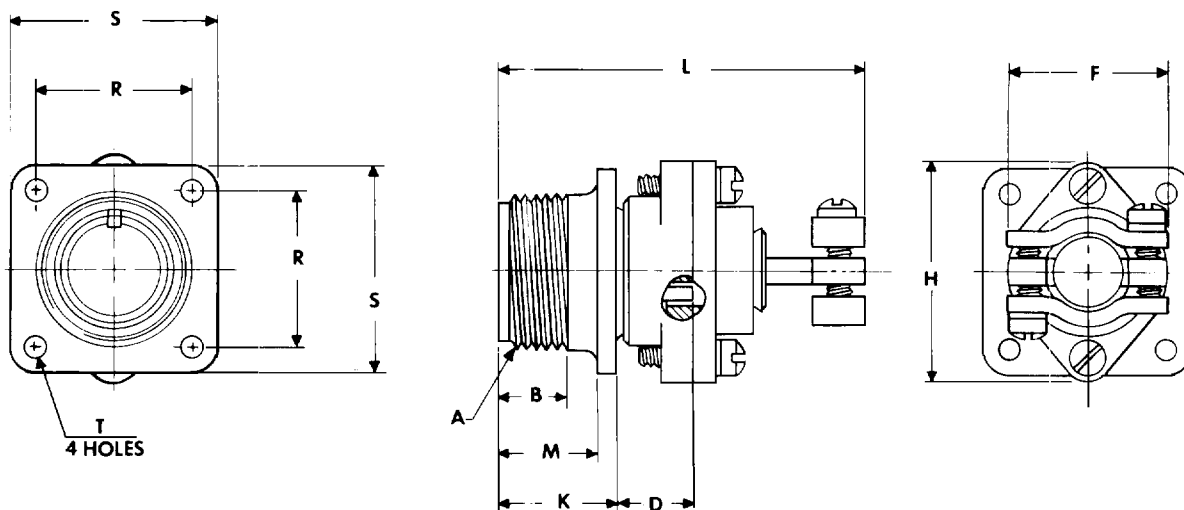


10-2440

wall mounting receptacle



10-2440XX-XX*

*To complete order number, see page 10.
For insert and grommet availability, see page 12.

Order Number*	Shell Size	A Thread Class 2A	B Min. Full Thread	F Max.	H Max.	K +.020 -.010	L Max.	M +.010 -.000	R ±.005	S	T Dia. +.004 -.002	D ±.060
10-244010	10S	.6250-24NEF	.391	.775	1.026	.672	2.192	.562	.719	1.000	.120	.469
10-244011	10SL	.6250-24NEF	.391	.837	1.120	.672	2.192	.562	.719	1.000	.120	.469
10-244012	12S	.7500-20UNEF	.450	.837	1.120	.672	2.192	.562	.812	1.094	.120	.469
10-244013	12	.7500-20UNEF	.625	.837	1.120	.860	2.536	.750	.812	1.094	.120	.672
10-244014	14S	.8750-20UNEF	.450	.963	1.307	.672	2.192	.562	.906	1.188	.120	.469
10-244015	14	.8750-20UNEF	.625	.963	1.307	.860	2.536	.750	.906	1.188	.120	.672
10-244016	16S	1.0000-20UNEF	.450	1.087	1.432	.672	2.192	.562	.969	1.281	.120	.469
10-244017	16	1.0000-20UNEF	.625	1.087	1.432	.860	2.536	.750	.969	1.281	.120	.672
10-244018	18	1.1250-18NEF	.625	1.150	1.557	.891	2.661	.750	1.062	1.375	.120	.641
10-244020	20	1.2500-18NEF	.625	1.399	1.744	.891	2.661	.750	1.156	1.500	.120	.641
10-244022	22	1.3750-18NEF	.625	1.399	1.869	.891	2.661	.750	1.250	1.625	.120	.641
10-244024	24	1.5000-18NEF	.625	1.587	1.994	.953	2.739	.812	1.375	1.750	.147	.578

All dimensions for reference only