

LTC4000-1
Battery Charger Controller and
PowerPath Manager with
Maximum Power Point Control

DESCRIPTION

Demonstration circuit 1830B is a battery charger controller and PowerPath™ manager with maximum power point control (MPPC) featuring the LTC®4000-1. MPPC extracts near maximum power from high impedance sources such as solar panels, wind turbines or fuel cells. MPPC is achieved by means of an input voltage regulation control loop. This board should be connected to a front-end DC/DC power supply for a complete charger solution.

The DC1830B is customizable to handle a wide variety of applications with output voltages from 3V to 30V and output currents up to 6.5A with the PFETs supplied, and up to 60V and/or 13A with higher voltage rating and/or added PFETs. The reference design provided with DC1830B is targeted at 4-cell LiFePO₄ (14.6V/5A) applications.

The DC1830B loop compensation values were proven with the LTC3845A buck power converter shown and are typical for other applications. The output of this demo board was specifically tailored for a Tenergy 10A-hour battery, P/N 30207. Other voltages can be set by changing ROFB2 and RFB2. The desired nominal voltage can be accurately trimmed by using trim resistors ROFBX and RFBX. For example, for 14.4V battery float voltage, change ROFB2 and RFB2 to 86.6k, and add 7.5M at ROFBX and RFBX for greater setpoint accuracy. Other parameters can be adjusted to suit specific applications with guidance provided in the LTC4000-1 data sheet. Table 1 provides a summary of parameter adjustments.

This circuit was designed to demonstrate the high levels of performance and small solution size attainable using this part to control a switch mode power converter to form a battery charger, intelligent PowerPath manager and power supply system. It produces a regulated 5.0A/14.6V battery charger output as well as a system output of up to 5.5A: suitable for a wide variety of portable applications including instruments, industrial equipment, power tools and computers.

The DC1830B-C provides a solution complete with both battery charger control and PowerPath management. It includes a second PFET (Q2) between VOUT-SYS and BAT to provide “instant-on” functionality which keeps VOUT-SYS within a narrow range regardless of battery voltage, and disconnects the battery when it is fully charged and power is available from the front-end DC/DC converter. Thermal regulation circuitry is also provided to limit the temperature of both PFETs.

The DC1830B-D provides a simple battery-charger-controller-only solution without the PowerPath manager. It deletes the second PFET and thermal regulation circuitry. In this case, the battery is always “online” and VOUT-SYS tracks the BAT voltage.

Design files for this circuit board are available at <http://www.linear.com/demo>

LT, LT, LTC, LTM, Linear Technology and the Linear logo are registered trademarks and PowerPath is a trademark of Linear Technology Corporation. All other trademarks are the property of their respective owners.

DEMO MANUAL

DC1830B-C/DC1830B-D

PERFORMANCE SUMMARY Specifications are at $T_A = 25^\circ\text{C}$

SYMBOL	PARAMETER	CONDITIONS/COMMENTS	MIN	TYP	MAX	UNITS
V_{IN}	Input Supply Range	This Is the Input Voltage of the Front-End DC/DC Supply	20		60	V
V_{IN-MP}	Input Regulation Voltage	This Is the Input Voltage Lower Limit Set by the LTC4000-1		35.1		V
V_{FLOAT}	Battery Float Voltage		14.4	14.6	14.8	V
	Output Regulation	Line and Load (20V to 60V, 0A to 4.5A)		0		%
I_{BAT}	Battery Charge Current			5.0		A
	Battery Charge Current – Trickle			0.6		A
t_T	Charge Termination Time	$V_{BAT} = V_{FLOAT}$		2.9		Hours
$V_{OUT-SYS}$	System Output Voltage		12.3	14.6	15.5	V
$I_{OUT-SYS}$	System Output Current Range		0		5.5	A

QUICK START PROCEDURE

Demonstration circuit 1830 is offered for use in combination with a front-end DC/DC converter, and will need to be customized to suit the intended application. It has been supplied with components for a design as outlined in the Performance Summary, and tested in conjunction with the LTC3845A buck converter that it was tailored to. A separate demonstration board is available for the LTC4000-1/LTC3789 buck-boost combination, the DC1721B. The LTC4000-1 data sheet should be used for guidance in determining circuit values for the application at hand. You may follow the Design Example on page 26 of the data sheet. Table 1 provides a summary of parameter adjustments.

NOTE: The PFETs supplied on this board are rated at 30V.

Once the circuit has been customized to suit the application at hand, it is easy to set up to evaluate the performance of the LTC4000-1 when combined with a suitable switching power converter, such as the LTC3845A. Voltages and currents cited in this procedure are for the design as delivered; if the design has been customized, substitute the appropriate values. Refer to Figure 1 for proper measurement equipment setup and follow the procedure below:

WARNING: BATTERIES ARE POTENTIALLY DANGEROUS HIGH ENERGY SOURCES. IMPROPER CONNECTION, OVERCHARGE, OR RAPID DISCHARGE COULD RESULT IN EXPLOSION AND/OR FIRE.

1. Set an input power supply that is capable of 60V and 3A, to 36V. Then turn off the supply.

2. With power off, connect the supply to the input terminals V_{IN} and GND.

NOTE:

- Input voltages lower than 20V can keep the converter from turning on due to the undervoltage lockout feature of the LTC4000-1.
- Input voltages lower than the MPPC regulation point (35.1V) will reduce the associated DC/DC converter's output to a minimum.
- If efficiency measurements are desired, refer to Figure 1 for the test setup.

3. Set CHARGE jumper to ENABLE.

4. Turn on the power at the input.

NOTE: Make sure that the input voltage never exceeds 60V.

5. Check for the proper BAT output voltage of 14.6V. Turn off the power at the input.

6. Now that the proper output voltage is established, connect a variable load capable of sinking 6A at 16V to the output terminals BAT and GND. Set the current for 0A.

7. Turn on the power at the input.

NOTE: If there is no output, temporarily disconnect the load to make sure that the load is not set too high.

QUICK START PROCEDURE

8. Once the proper BAT output voltage is again established, adjust the load and/or source within the operating range and observe the battery float voltage regulation, charge current, and other desired parameters.
9. Set the load to constant voltage mode to more easily observe charge current and trickle charge current.
10. In order to observe MPPC operation, add a 4.7Ω or 5Ω, 10W resistor in series with the DC source and set the source to 40V. Use a constant voltage or constant resistance load characteristic. As the load is increased, the input voltage will be regulated at the MPPC regulation point (35.1V) by reducing the output of the DC/DC converter.

NOTE: Operation in the instant-on region ($V_{OUT} < 12.5V$) may engage thermal limit circuit to protect Q2 in the linear region.

NOTE: The optional thermal limit circuit for Q1 (Q5, RNTC3, R8-R12, and U2) is included to protect Q1 in case of an extended short circuit on VOUT-SYS under adverse thermal conditions ($T_A > 40^{\circ}C$). It may not be needed in applications with less severe thermal conditions, lower current available to VOUT-SYS, or where continuous short circuit protection on VOUT-SYS is not required.

NOTE: The following applies to the DC1830B-C.

11. Turn off the power at the input.
12. Connect the output load and meters to the VOUT-SYS output.
13. Set CHARGE jumper to DISABLE.
14. Turn on the power at the input.
15. Once the proper VOUT-SYS is again established, adjust the load and/or source within the operating range and observe the output voltage regulation, ripple voltage, efficiency, output current limit and other desired parameters.

Table 1. LTC4000-1 Charger Setup Parameters and Reference Values

REFERENCE	DESCRIPTION	NOMINAL VALUE (V)*	MIN/MAX	CONDITIONS
V_{IN}	Input Voltage Regulation/Limit	1.000V	0.985/1.010	
I_{CL}	Charge Current Regulation/Limit	$(50\mu A \cdot R_{CL})/20$	45/55	50mV Max
I_{CL}	Trickle Charge Current Regulation/Limit	$(50\mu A \cdot R_{CL})/20$	4.5/5.5	
$V_{BAT-FLOAT}$	Battery Float Voltage	1.136V	1.125/1.147	
V_{OUT}	System Voltage	1.193V	1.181/1.204	Charger Off
		(Follows V_{BAT})		Charger Float
		(Follows V_{BAT})		Charging at I_{CL} , $0.86 \cdot V_{BAT-FLOAT} < V_{BAT} < V_{BAT-FLOAT}$
		$0.86 \cdot 1.136V$	0.82/0.90	Instant-On, $0.68 \cdot V_{BAT-FLOAT} < V_{BAT} < 0.86 \cdot V_{BAT-FLOAT}$
		$0.86 \cdot 1.136V$	0.82/0.90	Instant-On, Trickle, $V_{BAT} < 0.68 \cdot V_{BAT-FLOAT}$
V_M	Input Voltage Monitor/UVLO	1.193V	1.181/1.204	Falling, (40mV Hysteresis)
CX	C/X Monitor/Charge Termination	$(5\mu A \cdot R_{CX} - 10mV)/20$	4.5/5.5	Short TMR to BIAS for C/X Termination
TMR	Charge Termination Timer	104s/nF	83/126	

*Normalized to sense point.

QUICK START PROCEDURE

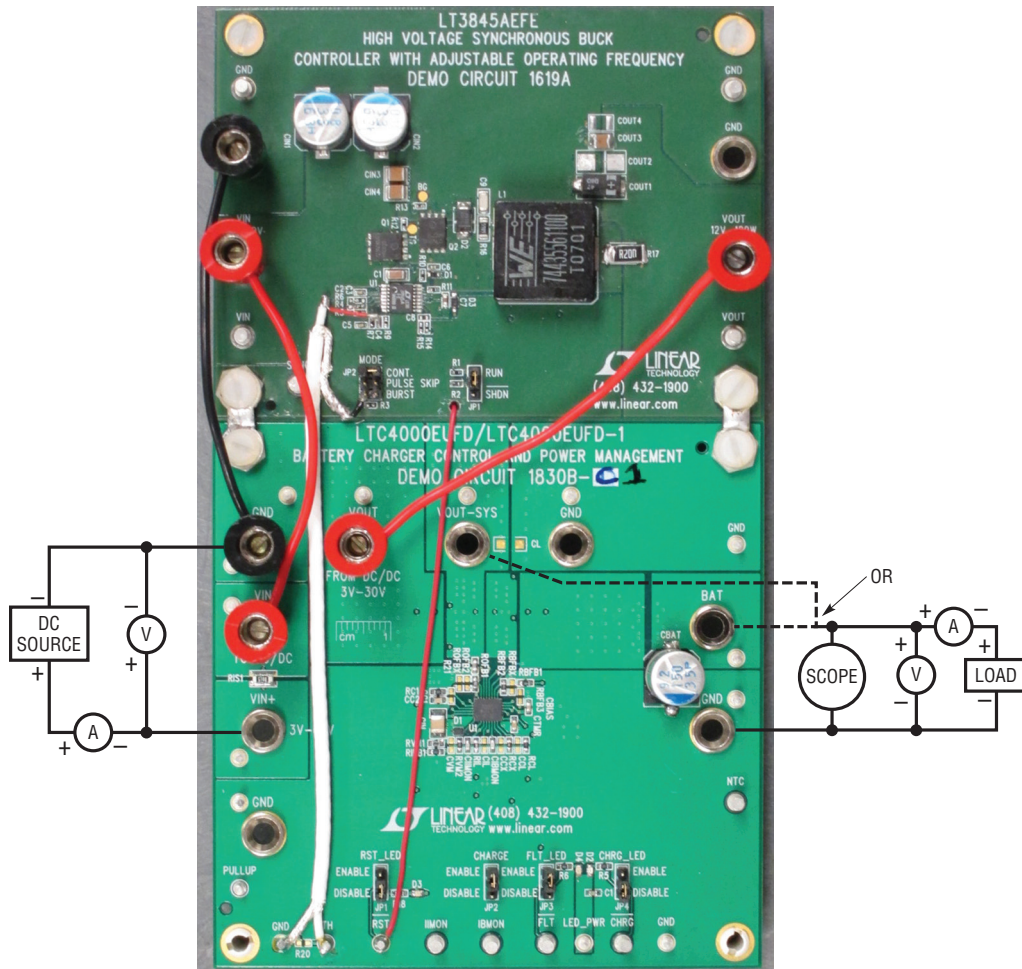


Figure 1. Fixture Connections and Measurement Equipment Setup

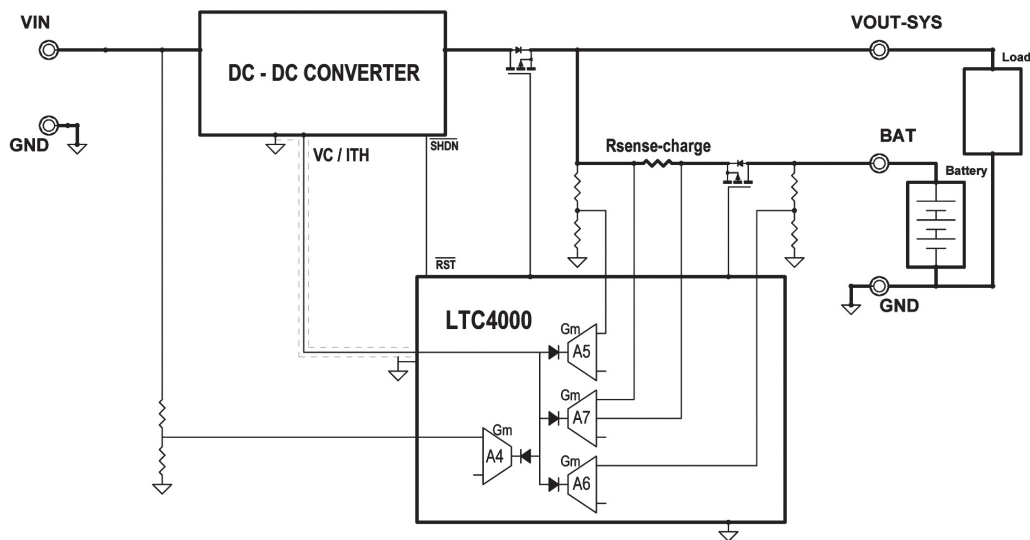


Figure 2. Block Diagram with Typical DC/DC Converter

PARTS LIST—DC1830B-C

ITEM	QTY	REFERENCE	PART DESCRIPTION	MANUFACTURER/PART NUMBER
Required Circuit Components				
1	1	C1	CAP., X5R, 4.7 μ F, 10V, 20% 0603	AVX, 0603ZD475MAT2A
2	1	CBAT	CAP., SMT ALUMINUM, 150 μ F, 35V	SUNCON, 35HVP150M
3	1	CBIAS	CAP., X7R, 1 μ F, 16V, 10% 0603	AVX, 0603YC105KAT2A
4	1	CBGATE	CAP., X7R, 10nF, 50V, 5% 0603	MURATA, GRM188R71H103JA01D
5	2	CC2, CTMR	CAP., X7R, 0.1 μ F, 50V, 10% 0603	AVX, 06035C104KAT2A
6	2	CIIMON, CIBMON	CAP., COG, 1000pF, 25V, 5% 0603	AVX, 06033A102JAT2A
7	1	CIN	CAP., X7R, 1 μ F, 50V, 10% 1210	AVX, 12105C105KAT2A
8	2	COUT, CL	CAP., X7R, 2.2 μ F, 50V, 10% 1206	MURATA, GRM31CR71H225KA88L
9	1	D1	DIODE ZENER 3.0V 200MW SOD-323	DIODE INC., BZT52C3V0S-7-F
10	1	D2	LED, GREEN, SMT, 0603	LITE-ON, LTST-C190KGKT
11	2	D3, D4	LED 660NM SUPER RED DIFF 0603 SMD	LUMEX, SML-LX0603SRW-TR
12	1	F2	FUSE 12A 32V T-LAG 1206 SMD	COOPER BUSSMAN, 3216TD12-R
13	2	Q1, Q2	MOSFET P-CHAN., 30V, POWERPAK-8	VISHAY, SI7135DP-T1-GE3
14	2	Q5, Q6	SMALL SIGNAL MOSFET	ON SEMI., 2N7002LT1G
15	2	RBFB2, ROFB2	RES., CHIP, 84.5k, 0.1W, 1% 0603	VISHAY, CRCW060384K5FKEA
16	4	RBFB1, ROFB1, R12, R17	RES., CHIP, 1M, 0.1W, 1% 0603	VISHAY, CRCW06031M00FKEA
17	1	RC1	RES., CHIP, 4.22k, 1/10W 1% 0603	YAGEO, RT0603FRE074K22L
18	1	RCL	RES., CHIP, 24.3k, 0.1W, 1% 0603	VISHAY, CRCW060324K3FKEA
19	1	RCS	SENSOR RES., 0.01 Ω 1W 2% 1508 SMD	SUSUMU, RL3720WT-R010-G
20	3	RCX, R8, R13	RES., CHIP, 10k, 0.1W, 1% 0603	YAGEO, RC0603FR-0710KL
21	1	RIFB1	RES., CHIP, 68.1k, 0.1W, 1% 0603	VISHAY, CRCW060368K1FKEA
22	1	RIL	RES., CHIP, 2.0k, 0.1W, 1% 0603	VISHAY, CRCW06032K00FKTA
23	2	RNTC2, RNTC3	THERMISTOR NTC 10k Ω 5% 0603	VISHAY, NTHS0603N02N1002J
24	1	RIS1	SENSOR RES 0.015 Ω 1W 2% 1508 SMD	SUSUMU, RL3720WT-R015-G
25	1	RVM1	RES., CHIP, 35.7k, 1/10W 1% 0603	VISHAY, CRCW060335K7FKEA
26	1	RVM2	RES., CHIP, 2.49k, 1/10W 1% 0603	YAGEO, RC0603FR-072K49L
27	1	R5	RES., CHIP, 2.2k, 0.1W, 5% 0603	VISHAY, CRCW06032K2JKEA
28	3	R4, R7, R19	RES., CHIP, 100k, 0.1W, 5% 0603	VISHAY, CRCW0603100KJKEA
29	2	R6, R18	RES., CHIP, 4.7k, 0.1W, 5% 0603	VISHAY, CRCW06034K7JKEA
30	1	R9	RES., CHIP, 46.4k, 0.1W, 1% 0603	VISHAY, CRCW060346K4FKEA
31	2	R10, R15	RES., CHIP, 20k, 0.1W, 1% 0603	VISHAY, CRCW060320K0FKEA
32	2	R11, R16	RES., CHIP, 38.3k, 0.1W, 1% 0603	VISHAY, CRCW060338K3FKEA
33	1	R14	RES., CHIP, 78.7k, 0.1W, 1% 0603	VISHAY, CRCW060378K7FKEA
34	1	U1	I.C. LTC4000EUFDF-1, 28-PIN QFN	LINEAR TECH., LTC4000EUFDF-1#PBF
35	2	U2, U3	NANOPWR COMPARATOR, MSOP8	LINEAR TECH., LTC1540CMS8#PBF
Additional Demo Board Circuit Components				
1	0	CC1, CIGATE, CNTC, CCX, CCL, CIL, CVM	CAP., 0603 OPT	
2	0	CL1, CL2, CL3, CL4, CL5	CAP., 1206, 50V OPT	
3	0	F1, F3	FUSE 12A 32V T-LAG 1206 SMD OPT	
4	0	Q3, Q4	MOSFET P-CHAN., 30V, POWERPAK-8 OPT	
5	0	R1, R2, R3, R20, R21, RIG, RBG, RBFBX, RBFB3, ROFBX	RES., 0603 OPT	

DEMO MANUAL

DC1830B-C/DC1830B-D

PARTS LIST—DC1830B-C

ITEM	QTY	REFERENCE	PART DESCRIPTION	MANUFACTURER/PART NUMBER
Hardware-For Demo Board Only				
1	16	E1-E6, E9-E14, E18, E19, E20, E21	TESTPOINT, TURRET, 0.061" PBF	MILL-MAX, 2308-2-00-80-00-00-07-0
2	5	E7, E8, E15, E16, E17	TESTPOINT, TURRET, 0.094" PBF	MILL-MAX, 2501-2-00-80-00-00-07-0
3	4	JP1, JP2, JP3, JP4	HEADER, 3-PIN 0.079 SINGLE ROW	SAMTEC, TMM-103-02-L-S
4	4	XJP1, XJP2, XJP3, XJP4	SHUNT, 0.079" CENTER	SAMTEC, 2SN-BK-G
5	9	J1, J2, J3, J4, J5, J6, J7, J8, J9	CONNECTOR, BANANA JACK	KEYSTONE, 575-4
6	4	MTG1, MTG2, MTG3, MTG4	STAND-OFF, NYLON (SNAP ON), 0.50" TALL	KEYSTONE, 8833(SNAP ON)

PARTS LIST—DC1830B-D

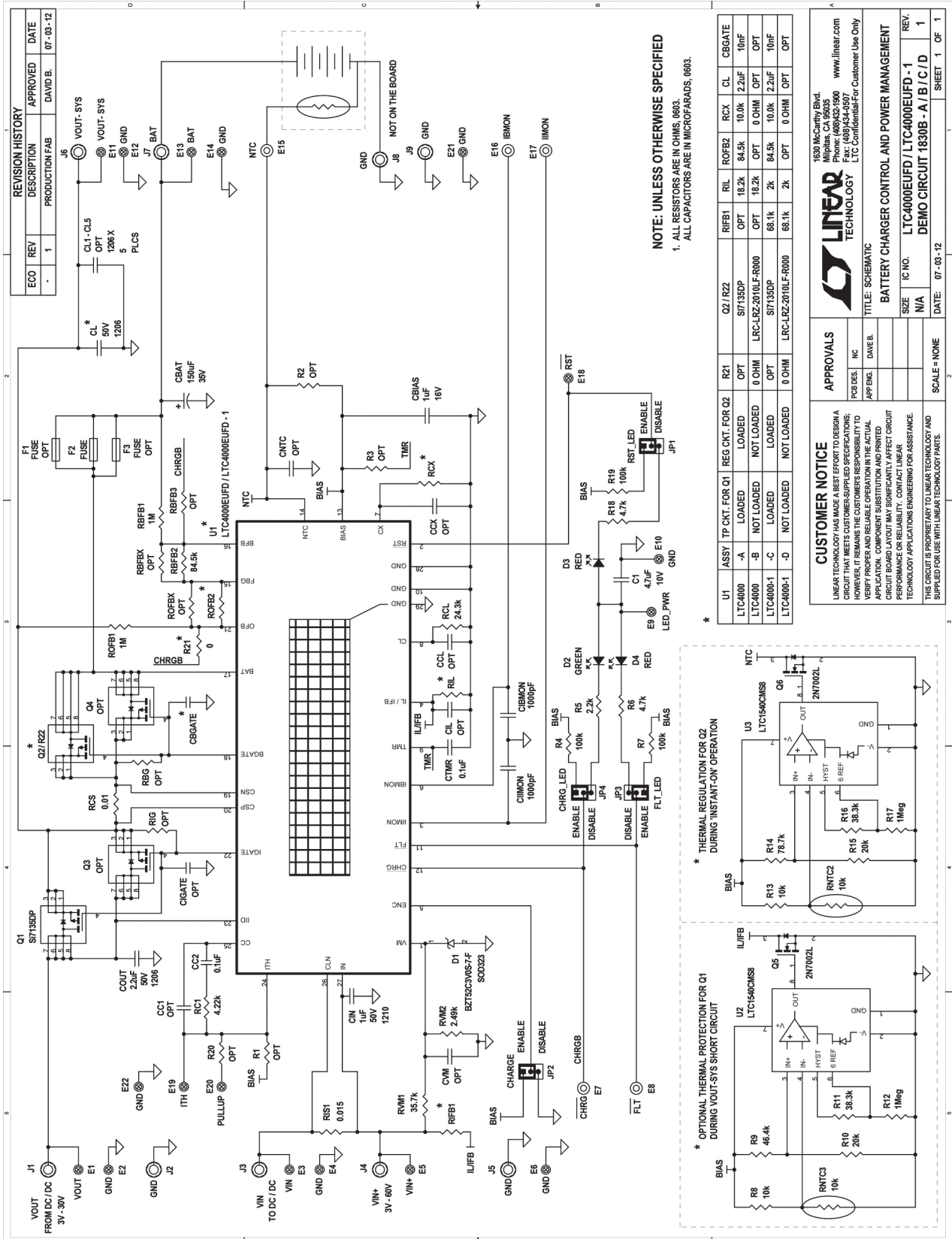
ITEM	QTY	REFERENCE	PART DESCRIPTION	MANUFACTURER/PART NUMBER
Required Circuit Components				
1	1	C1	CAP., X5R, 4.7 μ F, 10V, 20% 0603	AVX, 0603ZD475MAT2A
2	1	CBAT	CAP., SMT ALUMINUM, 150 μ F, 35V	SUNCON, 35HVP150M
3	1	CBIAS	CAP., X7R, 1 μ F, 16V, 10% 0603	AVX, 0603YC105KAT2A
4	2	CC2, CTMR	CAP., X7R, 0.1 μ F, 50V, 10% 0603	AVX, 06035C104KAT2A
5	2	CIIMON, CIBMON	CAP., COG, 1000pF, 25V, 5% 0603	AVX, 06033A102JAT2A
6	1	COUT	CAP., X7R, 2.2 μ F, 50V, 10% 1206	MURATA, GRM31CR71H225KA88L
7	1	CIN	CAP., X7R, 1 μ F, 50V, 10% 1210	AVX, 12105C105KAT2A
8	1	D1	DIODE ZENER 3.0V 200MW SOD-323	DIODE INC., BZT52C3V0S-7-F
9	2	D2, D3	LED 660NM SUPER RED DIFF 0603 SMD	LUMEX, SML-LX0603SRW-TR
10	1	D4	LED, GREEN, SMT, 0603	LITE-ON, LTST-C190KGKT
11	1	F2	FUSE 12A 32V T-LAG 1206 SMD	COOPER BUSSMAN, 3216TD12-R
12	1	Q1	MOSFET P-CHAN., 30V, POWERPAK-8	VISHAY, SI7135DP-T1-GE3
13	2	RBFB1, ROFB1	RES., CHIP, 1M, 0.1W, 1% 0603	VISHAY, CRCW06031M00FKEA
14	1	RBFB2	RES., CHIP, 84.5k, 0.1W, 1% 0603	VISHAY, CRCW060384K5FKEA
15	1	RC1	RES., CHIP, 4.22k, 1/10W 1% 0603	YAGEO, RT0603FRE074K22L
16	1	RCL	RES., CHIP, 24.3k, 0.1W, 1% 0603	VISHAY, CRCW060324K3FKEA
17	1	RCS	SENSOR RES., 0.01 Ω , 1W 2% 1508 SMD	SUSUMU, RL3720WT-R010-G
18	2	RCX, R21	RES., CHIP, 0.0 Ω , 0.1W, 0603	VISHAY, CRCW06030000Z0EA
19	1	RIFB1	RES., CHIP, 68.1k, 0.1W, 1% 0603	VISHAY, CRCW060368K1FKEA
20	1	RIL	RES., CHIP, 2.0k, 0.1W, 1% 0603	VISHAY, CRCW06032K00FKTA
21	1	RIS1	SENSOR RES 0.015 Ω , 1W 2% 1508 SMD	SUSUMU, RL3720WT-R015-G
22	1	RVM1	RES., CHIP, 35.7k, 1/10W 1% 0603	VISHAY, CRCW060335K7FKEA
23	1	RVM2	RES., CHIP, 2.49k 1/10W 1% 0603	YAGEO, RC0603FR-072K49L
24	3	R4, R7, R19	RES., CHIP, 100k, 0.1W, 5% 0603	VISHAY, CRCW0603100KJKEA
25	1	R5	RES., CHIP, 2.2k, 0.1W, 5%, 0603	VISHAY, CRCW06032K2JKEA
26	2	R6, R18	RES., CHIP, 4.7k, 0.1W, 5% 0603	VISHAY, CRCW06034K7JKEA
27	1	R22	ZERO OHM THICK FILM JUMPER CHIP, 2010	IRC., LRC-LRZ-2010LF-R000
28	1	U1	I.C., LTC4000EUFD-1, 28PIN QFN	LINEAR TECH., LTC4000EUFD-1#PBF

PARTS LIST—DC1830B-D

ITEM	QTY	REFERENCE	PART DESCRIPTION	MANUFACTURER/PART NUMBER
Additional Demo Board Circuit Components				
1	0	CC1, CBGATE, CIGATE, CNTC, CCX, CCL, CIL, CVM	CAP., 0603 OPT	
2	0	CL, CL1, CL2, CL3, CL4, CL5	CAP., 1206, 50V OPT	
3	0	F1, F3	FUSE 12A 32V T-LAG 1206 SMD OPT	
4	0	RNTC2, RNTC3	THERMISTOR NTC 10k Ω 5% 0603 OPT	VISHAY, NTHS0603N02N1002J
5	0	R1, R2, R3, R20, RIG, RBG, RBFBX, ROFBX, RBFB3, ROFB2	RES., 0603 OPT	
6	0	R8, R13	RES., CHIP, 10k, 0.1W, 1% 0603 OPT	YAGEO, RC0603FR-0710KL
7	0	R9	RES., CHIP, 46.4k, 0.1W, 1% 0603 OPT	VISHAY, CRCW060346K4FKEA
8	0	R10, R15	RES., CHIP, 20k, 0.1W, 1% 0603 OPT	VISHAY, CRCW060320K0FKEA
9	0	R11, R16	RES., CHIP, 38.3k, 0.1W, 1% 0603 OPT	VISHAY, CRCW060338K3FKEA
10	0	R12, R17	RES., CHIP, 1M, 0.1W, 1% 0603 OPT	VISHAY, CRCW06031M00FKEA
11	0	R14	RES., CHIP, 78.7k, 0.1W, 1% 0603 OPT	VISHAY, CRCW060378K7FKEA
12	0	Q3,Q4	MOSFET P-CHAN., 30V, POWERPAK-8 OPT	
13	0	Q5,Q6	SMALL SIGNAL MOSFET OPT	ON SEMI., 2N7002LT1G
14	0	U2,U3	NANOPWR COMPARATOR, MSOP8 OPT	LINEAR TECH., LTC1540CMS8#PBF
Hardware-For Demo Board Only				
1	16	E1-E6, E9-E14, E18, E19, E20, E21	TESTPOINT, TURRET, 0.061" PBF	MILL-MAX, 2308-2-00-80-00-00-07-0
2	5	E7, E8, E15, E16, E17	TESTPOINT, TURRET, 0.094" PBF	MILL-MAX, 2501-2-00-80-00-00-07-0
3	4	JP1, JP2, JP3, JP4	HEADER, 3-PIN 0.079 SINGLE ROW	SAMTEC, TMM-103-02-L-S
4	4	XJP1, XJP2, XJP3, XJP4	SHUNT, 0.079" CENTER	SAMTEC, 2SN-BK-G
5	9	J1, J2, J3, J4, J5, J6, J7, J8, J9	CONNECTOR, BANANA JACK	KEYSTONE, 575-4
6	4	MTG1, MTG2, MTG3, MTG4	STAND-OFF, NYLON (SNAP ON), 0.50" TALL	KEYSTONE, 8833(SNAP ON)

DEMO MANUAL DC1830B-C/DC1830B-D

SCHEMATIC DIAGRAM



REVISION HISTORY			
ECO	REV	DESCRIPTION	DATE
-	1	PRODUCTION FAB	DAVID B. 07-03-12

NOTE: UNLESS OTHERWISE SPECIFIED
1. ALL RESISTORS ARE IN OHMS, 0603.
ALL CAPACITORS ARE IN MICROFARADS, 0603.

U1	ASSY	TP CKT. FOR Q1	REG CKT. FOR Q2	R21	Q2/R22	R1F1	RIL	ROFB2	RCX	CL	CEGATE
LTC4000	-A	LOADED	LOADED	OPT	S17135DP	OPT	18.2k	84.5k	10.0k	2.2uF	10nF
LTC4000	-B	NOT LOADED	NOT LOADED	0 OHM	LRC-LRZ-2010LF-R000	OPT	18.2k	OPT	0 OHM	OPT	OPT
LTC4000-1	-C	LOADED	LOADED	OPT	S17135DP	OPT	68.1k	2k	84.5k	10.0k	2.2uF
LTC4000-1	-D	NOT LOADED	NOT LOADED	0 OHM	LRC-LRZ-2010LF-R000	OPT	68.1k	2k	OPT	0 OHM	OPT

CUSTOMER NOTICE
LINEAR TECHNOLOGY HAS MADE A BEST EFFORT TO DESIGN A CIRCUIT THAT MEETS CUSTOMER-SUPPLIED SPECIFICATIONS; HOWEVER, IT REMAINS THE CUSTOMER'S RESPONSIBILITY TO VERIFY PROPER AND RELIABLE OPERATION IN THE ACTUAL APPLICATION. COMPONENT SUBSTITUTION AND PRINTED CIRCUIT BOARD MANUFACTURING VARIATIONS MAY AFFECT CIRCUIT PERFORMANCE OR RELIABILITY. CONTACT LINEAR TECHNOLOGY APPLICATIONS ENGINEERING FOR ASSISTANCE.
THIS CIRCUIT IS PROPRIETARY TO LINEAR TECHNOLOGY AND SUPPLIED FOR USE WITH LINEAR TECHNOLOGY PARTS.

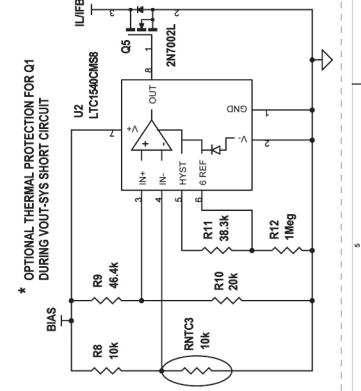
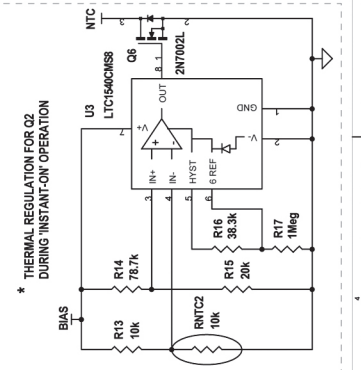
APPROVALS

PCB DES	NC
APP ENG	DAVE B.

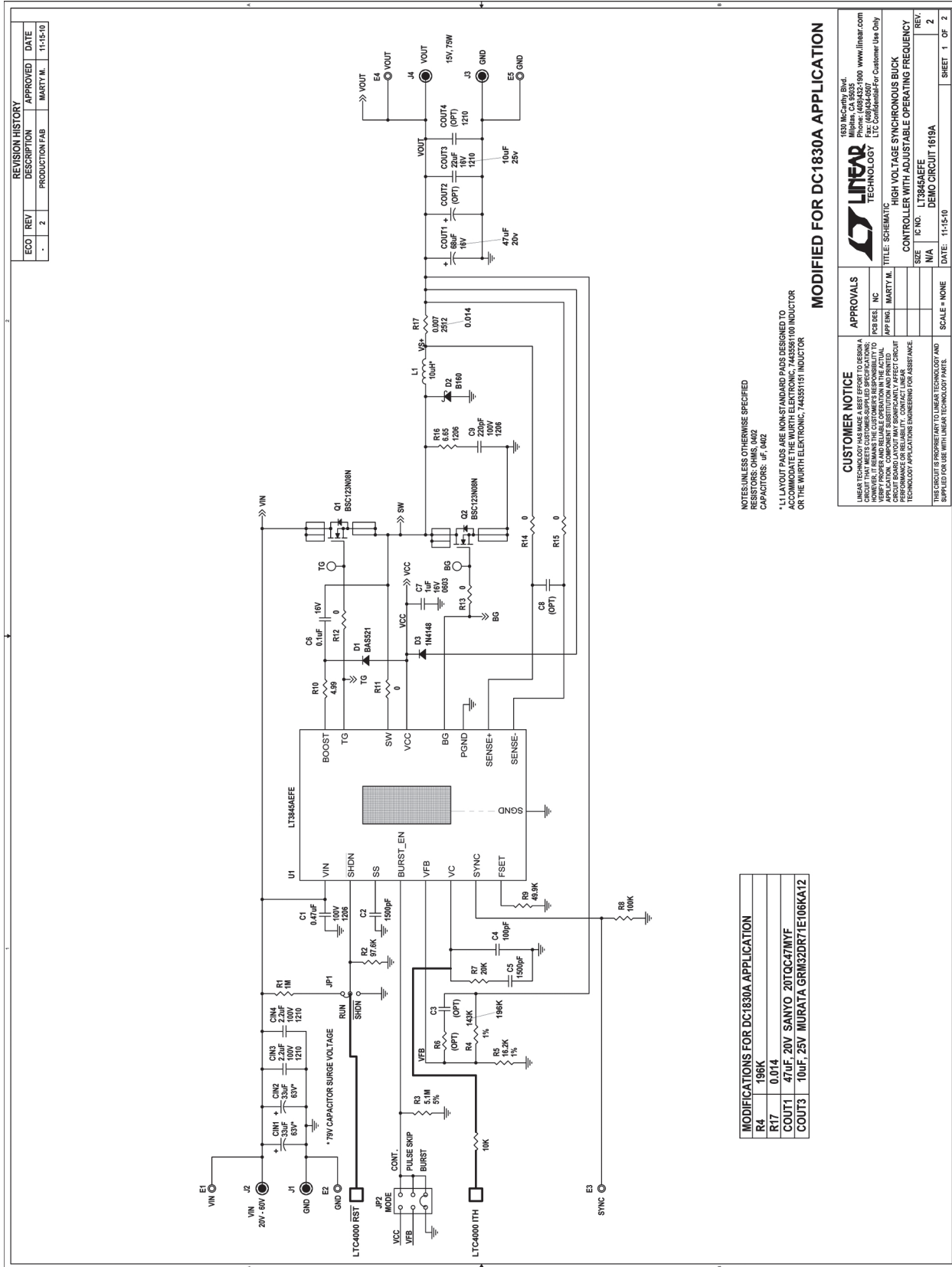
LINEAR TECHNOLOGY
1630 McCarthy Blvd.
Milpitas, CA 95035
Phone: (408)432-1800
Fax: (408)434-4507
LTC Confidential For Customer Use Only

BATTERY CHARGER CONTROL AND POWER MANAGEMENT
TITLE: SCHEMATIC
IC NO. LTC4000EUF/LTC4000EUFD - 1
REV. 1

DATE: 07-03-12
SHEET 1 OF 1



SCHEMATIC DIAGRAM Modified DC1619A as used with DC1830B



REVISION HISTORY			
ECO	REV	DESCRIPTION	APPROVED DATE
-	2	PRODUCTION FAB	MARTY M. 11-15-10

NOTES: UNLESS OTHERWISE SPECIFIED
RESISTORS: CHIPS, 1/16W
CAPACITORS: 1% 100V

*L1 LAYOUT PADS ARE NON-STANDARD PADS DESIGNED TO ACCOMMODATE THE WURTH ELECTRONIC 7445581100 INDUCTOR ON THE WURTH ELECTRONIC 7445581100 INDUCTOR

MODIFICATIONS FOR DC1830A APPLICATION	
R4	196K
R7	0.014
COUT1	47uF 20V SANYO 20TQC47MVF
COUT3	100uF 25V MURATA GRM32DR71E106KA12

MODIFIED FOR DC1830A APPLICATION

		1830 McCarty Blvd. Woburn, MA 01897 Phone: (603)322-0000 www.linear.com Fax: (603)322-0007	
TITLE: SCHEMATIC CONTROLLER WITH ADJUSTABLE OPERATING FREQUENCY		SIZE: N/A IC NO.: LT3844EFE DEMO CIRCUIT 1619A	
CUSTOMER NOTICE LINEAR TECHNOLOGY HAS MADE A BEST EFFORT TO DESIGN A CIRCUIT THAT MEETS CUSTOMER-SUPPLIED SPECIFICATIONS. WE CAN NOT GUARANTEE THE PERFORMANCE OF THE ACTUAL BOARD LAYOUT OR THE PERFORMANCE OF THE ACTUAL BOARD LAYOUT IN YOUR APPLICATION. CONTACT LINEAR TECHNOLOGY FOR FURTHER INFORMATION AND ASSISTANCE.		APPROVALS DESIGNED BY: INC APP'D BY: MARTY M. SCALE: NONE	
THIS CIRCUIT IS PROVIDED AS IS. LINEAR TECHNOLOGY AND SUPPLIERS MAKE NO WARRANTY FOR THIS CIRCUIT.		DATE: 11-15-10 SHEET 1 OF 2	



Information furnished by Linear Technology Corporation is believed to be accurate and reliable. However, no responsibility is assumed for its use. Linear Technology Corporation makes no representation that the interconnection of its circuits as described herein will not infringe on existing patent rights.

DEMO MANUAL

DC1830B-C/DC1830B-D

DEMONSTRATION BOARD IMPORTANT NOTICE

Linear Technology Corporation (LTC) provides the enclosed product(s) under the following **AS IS** conditions:

This demonstration board (DEMO BOARD) kit being sold or provided by Linear Technology is intended for use for **ENGINEERING DEVELOPMENT OR EVALUATION PURPOSES ONLY** and is not provided by LTC for commercial use. As such, the DEMO BOARD herein may not be complete in terms of required design-, marketing-, and/or manufacturing-related protective considerations, including but not limited to product safety measures typically found in finished commercial goods. As a prototype, this product does not fall within the scope of the European Union directive on electromagnetic compatibility and therefore may or may not meet the technical requirements of the directive, or other regulations.

If this evaluation kit does not meet the specifications recited in the DEMO BOARD manual the kit may be returned within 30 days from the date of delivery for a full refund. **THE FOREGOING WARRANTY IS THE EXCLUSIVE WARRANTY MADE BY THE SELLER TO BUYER AND IS IN LIEU OF ALL OTHER WARRANTIES, EXPRESSED, IMPLIED, OR STATUTORY, INCLUDING ANY WARRANTY OF MERCHANTABILITY OR FITNESS FOR ANY PARTICULAR PURPOSE. EXCEPT TO THE EXTENT OF THIS INDEMNITY, NEITHER PARTY SHALL BE LIABLE TO THE OTHER FOR ANY INDIRECT, SPECIAL, INCIDENTAL, OR CONSEQUENTIAL DAMAGES.**

The user assumes all responsibility and liability for proper and safe handling of the goods. Further, the user releases LTC from all claims arising from the handling or use of the goods. Due to the open construction of the product, it is the user's responsibility to take any and all appropriate precautions with regard to electrostatic discharge. Also be aware that the products herein may not be regulatory compliant or agency certified (FCC, UL, CE, etc.).

No License is granted under any patent right or other intellectual property whatsoever. **LTC assumes no liability for applications assistance, customer product design, software performance, or infringement of patents or any other intellectual property rights of any kind.**

LTC currently services a variety of customers for products around the world, and therefore this transaction **is not exclusive**.

Please read the DEMO BOARD manual prior to handling the product. Persons handling this product must have electronics training and observe good laboratory practice standards. **Common sense is encouraged.**

This notice contains important safety information about temperatures and voltages. For further safety concerns, please contact a LTC application engineer.

Mailing Address:

Linear Technology
1630 McCarthy Blvd.
Milpitas, CA 95035

Copyright © 2004, Linear Technology Corporation