

PART NAME

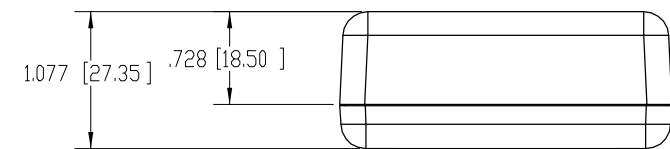
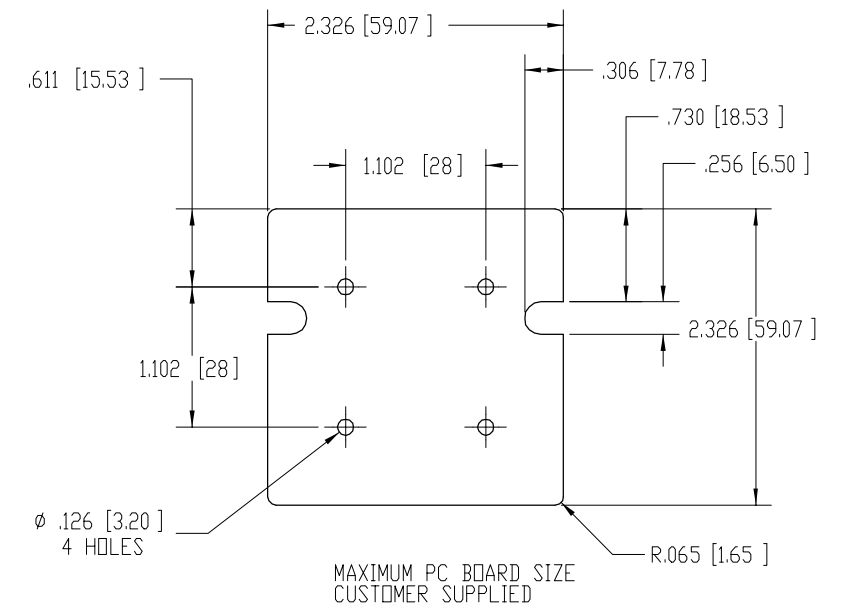
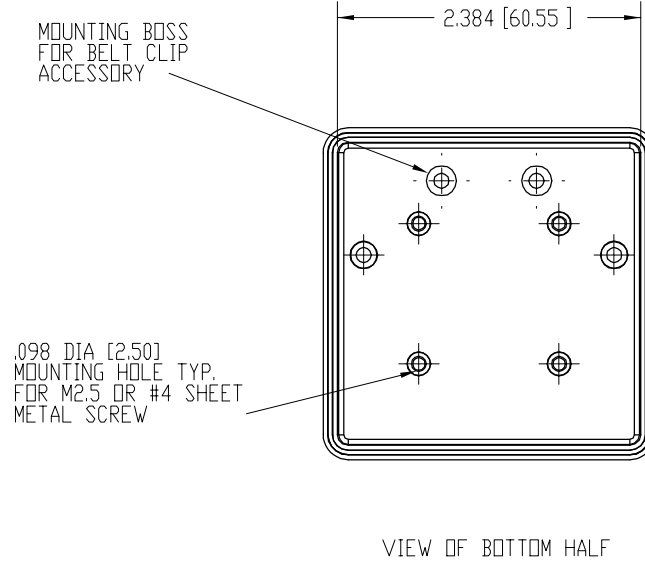
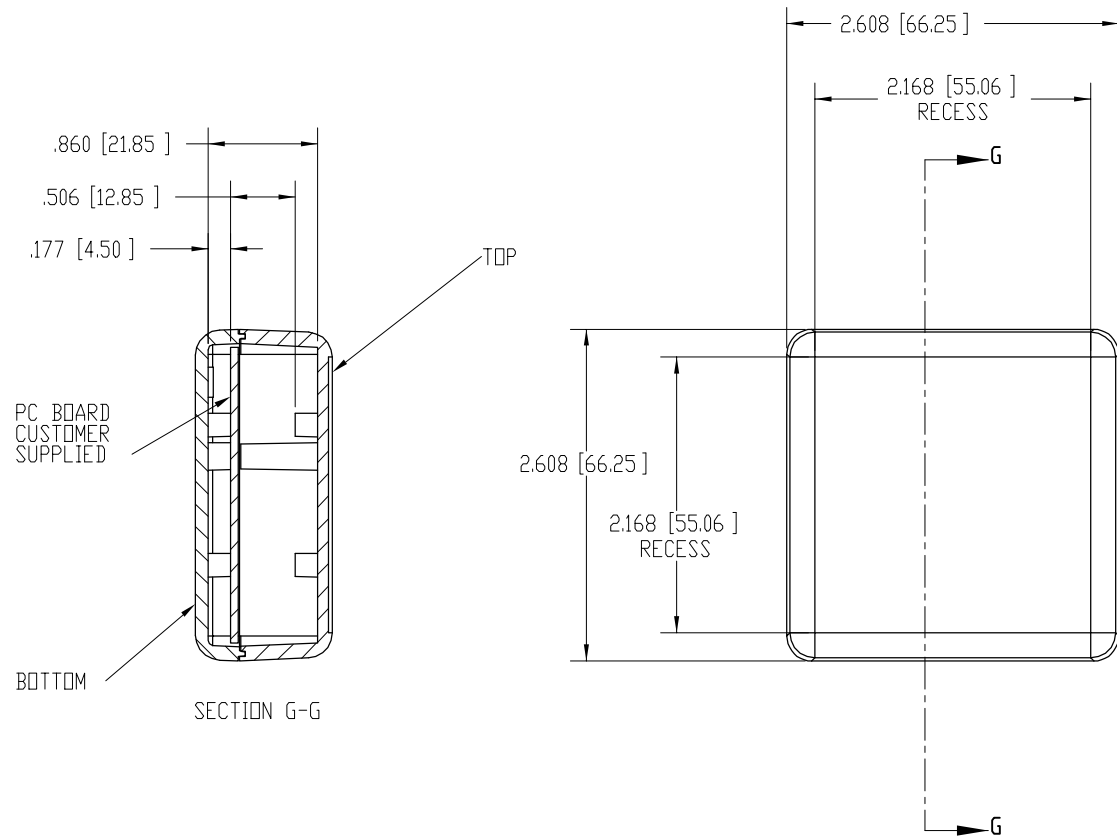
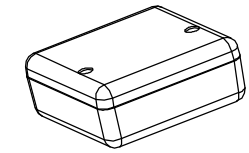
HAND-HELD PLASTIC BOX, STYLE 1

PART NO.

HP-3649-B

REVISION DATE

2-6-2009



MATERIAL AND FINISH:

BLACK HIGH-IMPACT ABS (UL94-HB) - TOP AND BOTTOM

TWO (2) M3 X .63 [16] LG SCREWS SUPPLIED FOR ASSEMBLY

OPTIONAL ACCESSORIES:

- BELT CLIP (BLACK) P/N HH-3595-BCB
- AA BATTERY CONTACT KIT: HH-3442-C
- 9V BATTERY CLIP: HH-3449
- 2 AAA BATTERY HOLDER: HH-3630
- 4 AAA BATTERY HOLDER: HH-3631
- 2 AA BATTERY HOLDER: HH-3632
- 4 AA BATTERY HOLDER: HH-3633
- 9V BATTERY HOLDER: HH-3634