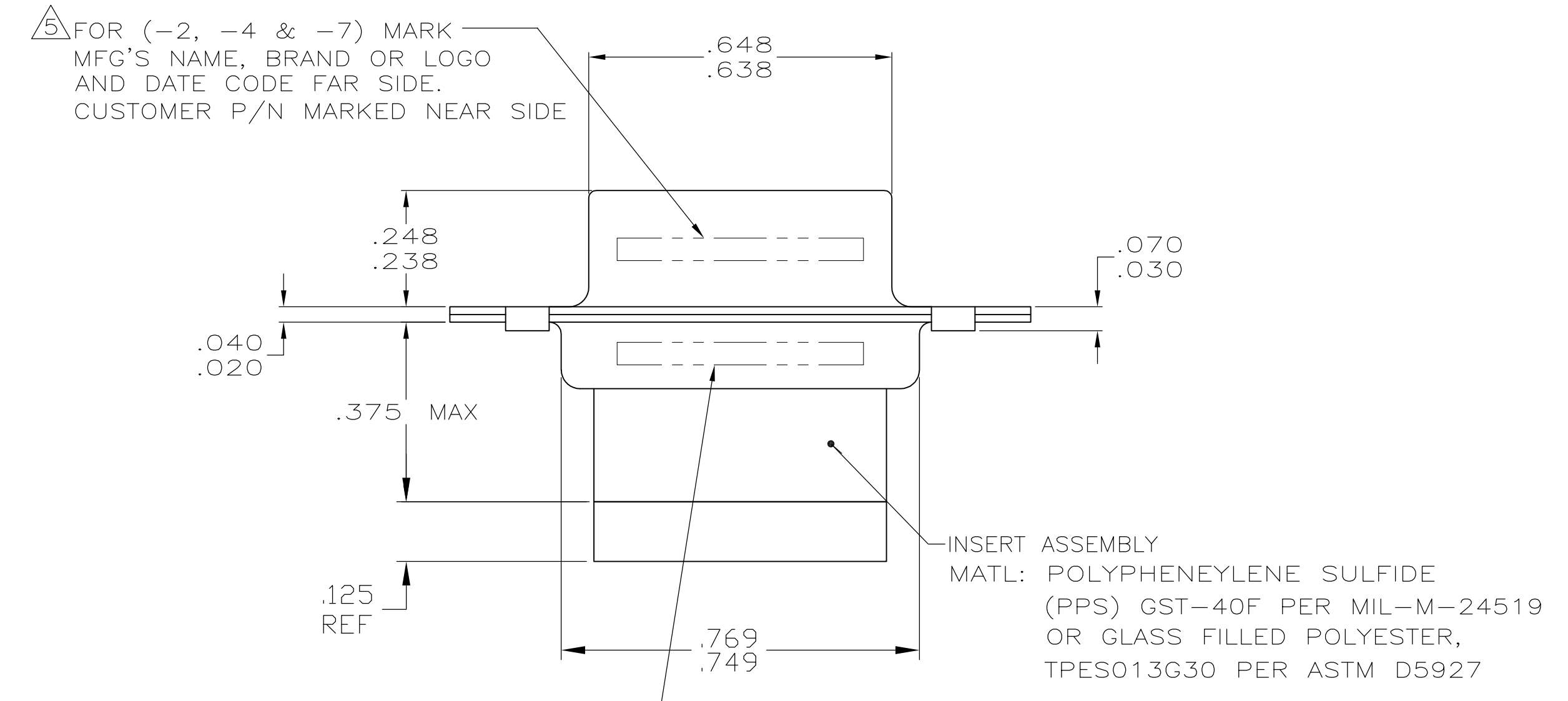
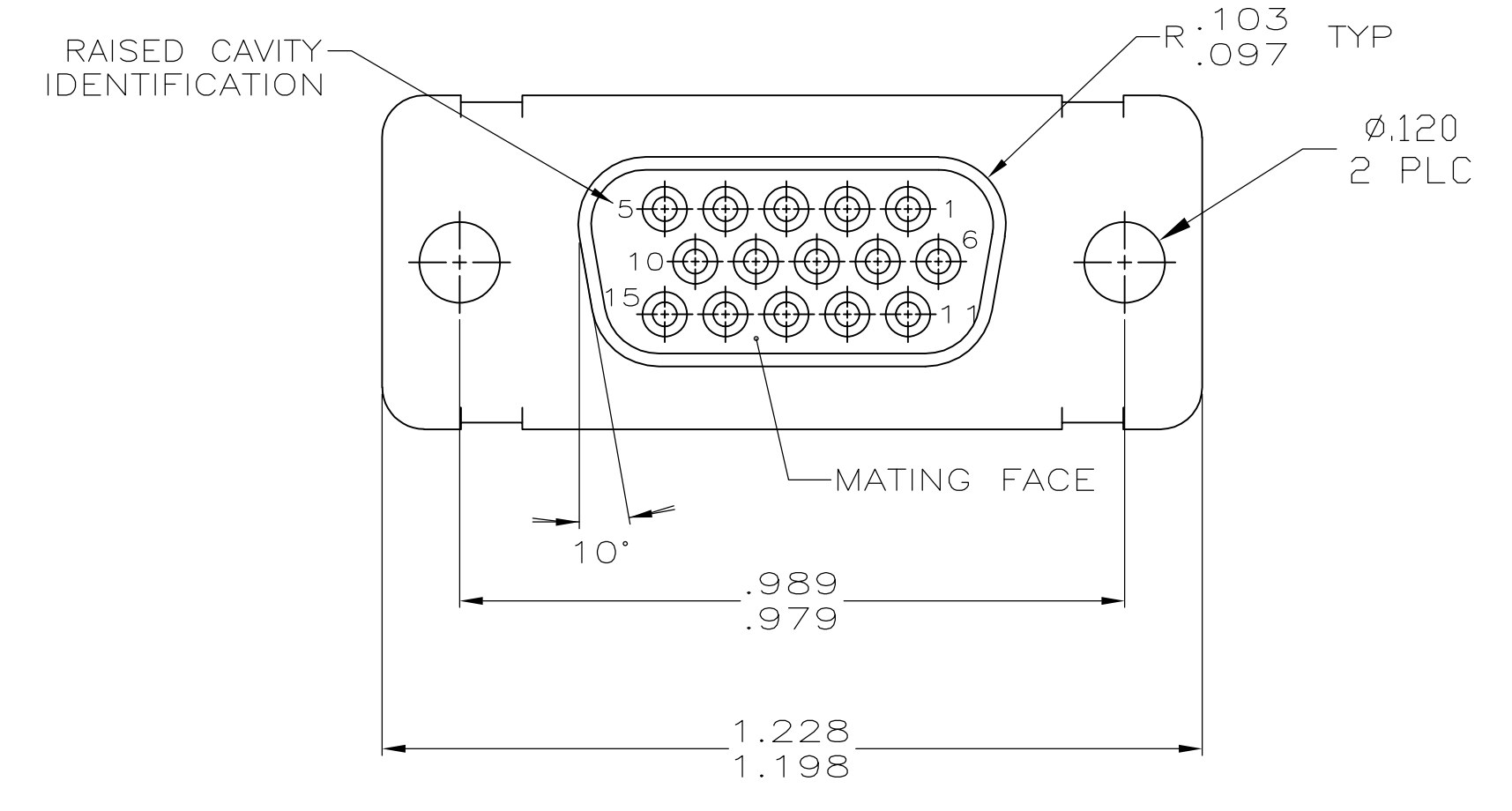
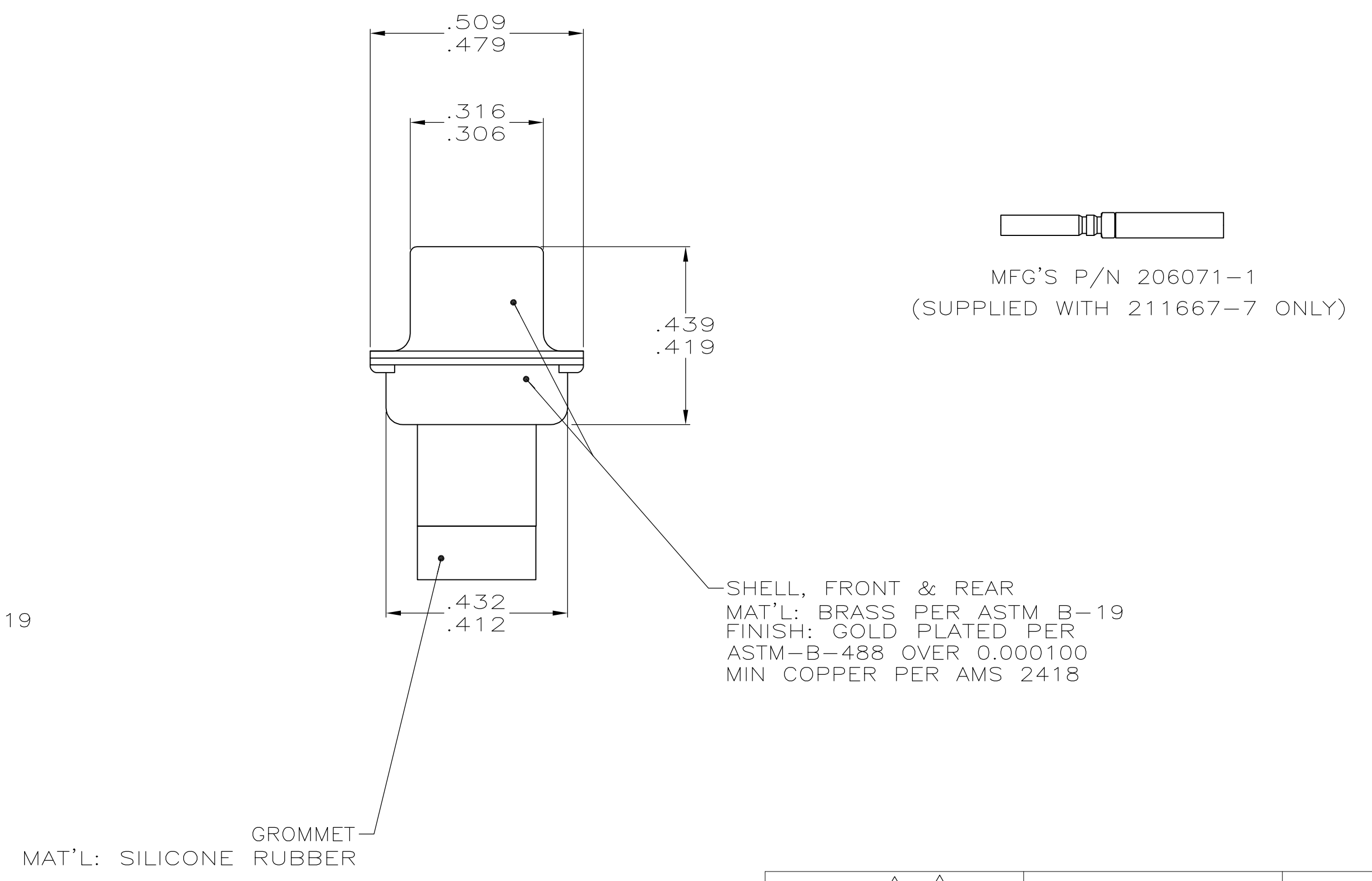


- THIS RECEPTACLE WILL MATE WITH ANY PLUG CONNECTOR WITH THE SAME INSERT ARRANGEMENT AS DEFINED BY MS18273-2.
 - CONNECTOR SUPPLIED WITHOUT CONTACTS; SHOWN FOR ILLUSTRATION ONLY.
 - BE-CU RETENTION CLIPS ARE INCLUDED IN INSERT AND INSTALLED WITH TINES POINTING TOWARDS MATING FACE.
 - OVERALL DIMENSIONS DO NOT INCLUDE RAISED CAVITY IDENTIFICATION.
- ⚠ MARKING FAR SIDE REFERS TO WIDE SIDE OF KEYSTONE. NEAR SIDE REFERS TO NARROW SIDE OF KEYSTONE.
 ⚠ 100% INSPECTION REQUIRED PER BOEING 1B01:
 A. VISUAL
 B. DWV
 C. IR
 ⚠ CUSTOMER REQUIRES SINGLE LOT DATE CODE.
 ⚠ SPECIAL REQUIREMENTS:
 A. TEST TWO CONNECTORS PER LOT FOR COMPLIANCE TO GROMMET PEEL STRENGTH REQUIREMENTS.
 B. TEST ALL CIRCUIT CAVITIES FOR MISALIGNMENT OR EXCESSIVE ADHESIVE.



⚠ FOR (-2, -4 & -7) MARK MFG'S NAME, BRAND OR LOGO AND DATE CODE FAR SIDE. CUSTOMER P/N MARKED NEAR SIDE.
 ⚠ FOR (-1 & -11) CUSTOMER P/N MARKED ON FAR SIDE. MANUFACTURER'S NAME, BRAND OR LOGO AND MANUFACTURER'S PART NO AND DATE CODE MARKED ON NEAR SIDE. FOR (-2, -4 & -7) MARK MFG'S P/N FAR SIDE.



MFG'S P/N 206071-1
 (SUPPLIED WITH 211667-7 ONLY)

REMARKS	CUSTOMER PART NO.	MARKED MFG'S P/N	PART NO
⚠ ⚠	1B01-025RHW	1-211667-1	1-211667-1
CONTACTS INCLUDED	B010648-0002	211667-7	211667-7
---	---	211667-4	211667-4
⚠ ⚠	2A065-019V	211667-2	211667-2
⚠	1B01-025	211667-1	211667-1

THIS DRAWING IS A CONTROLLED DOCUMENT.

DIMENSIONS: INCHES	TOLERANCES UNLESS OTHERWISE SPECIFIED:	DWN: C.C. THOMAS 3-9-07	CHK: N. DEIBERT 3-9-07	APVD: N. DEIBERT 3-9-07	NAME: N. DEIBERT	PRODUCT SPEC: ---	APPLICATION SPEC: ---	SIZE: A1	CAGE CODE: 00779	DRAWING NO: 211667	RESTRICTED TO: ---
0 PLC ± .005	1 PLC ± .005	Tyco Electronics Corporation Harrisburg, PA 17105-3608		RECEPTACLE ASSY, AMPLIMITE, 15 POSN., SIZE 1, SERIES 90, NON-MAGNETIC WITH GROMMET		WEIGHT: ---	CUSTOMER DRAWING	SCALE: 4:1	SHEET: 1 OF 1	REV: M	