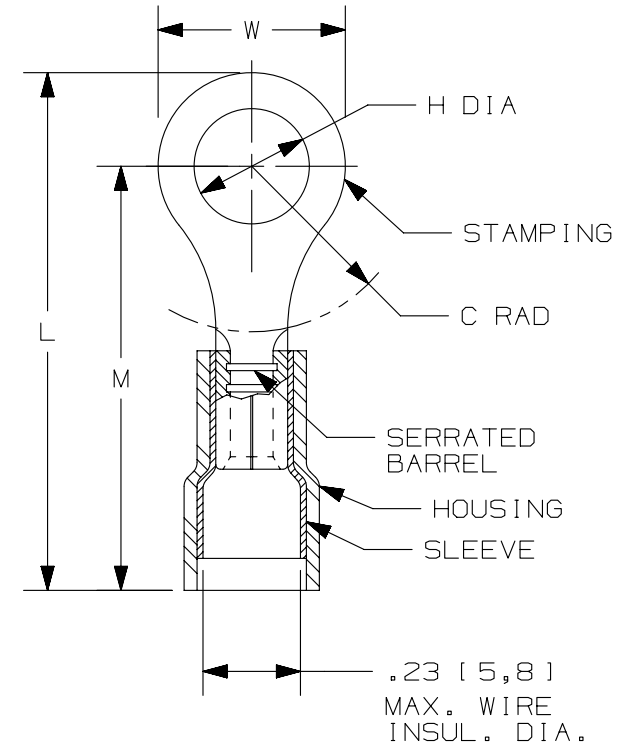


THIS COPY IS PROVIDED ON A RESTRICTED BASIS AND IS NOT TO BE USED IN ANY WAY DETRIMENTAL TO THE INTERESTS OF PANDUIT CORP.

PANDUIT PART #	STUD SIZE	DIMENSIONS in. [mm]				
		L ± .04 [1,0]	W ± .01 [0,3]	C ± .015 [0,4]	M ± .03 [0,8]	H ± .01 [0,3]
PN12-6HDR	#6	1.06 [26,9]	.31 [7,9]	.35 [8,9]	.91 [23,1]	.15 [3,8]
PN12-8HDR	#8	1.06 [26,9]	.31 [7,9]	.35 [8,9]	.90 [22,9]	.17 [4,3]
PN12-10HDR	#10	1.09 [27,7]	.37 [9,4]	.33 [8,4]	.89 [22,6]	.20 [5,1]
PN12-14HDR	1/4"	1.24 [31,5]	.52 [13,2]	.42 [10,7]	.98 [24,9]	.27 [6,9]
PN12-56HDR	5/16"	1.24 [31,5]	.52 [13,2]	.42 [10,7]	.98 [24,9]	.33 [8,4]
PN12-38HDR	3/8"	1.30 [33,0]	.58 [14,7]	.46 [11,7]	1.02 [25,9]	.39 [9,9]



NOTES:

- USED FOR:
 - #16-12 AWG [2,0-6,0 mm²] SOLID OR STRANDED COPPER WIRE
 - 221°F [105°C] MAX. OPERATING TEMPERATURE
 - 600 V. MAX. VOLTAGE RATING
1000 V. IN SIGNS, FIXTURES & LUMINARIES
- INSTALLATION TOOLS:
 - UL APPROVED: CT-600A (CT-550CH), CT-1550, CT-1551, CT-2500 (CT-2550CH/CD-550)
 - PANDUIT APPROVED: CT-460
- WIRE STRIP LENGTH: 9/32" ^{+1/32} [7,1^{0,8}]
- MATERIAL:
 - STAMPING: .05" [1,3] THK COPPER, TIN PLATED
 - HOUSING: NYLON, YELLOW
 - SLEEVE: BRASS, TIN PLATED
- SEE www.panduit.com FOR PACKAGE QUANTITIES INDICATED BY PART NUMBER SUFFIX
- DIMENSIONS IN BRACKETS ARE METRIC EQUIVALENT



LISTED
587H
E52164



CERTIFIED
LR31212

REV	DATE	BY	CHK	APR	DESCRIPTION	ECN
04	10.16.12	JBN	LCA	VMB	REVISED NOTES. UPDATED DRAWING TO CURRENT STANDARDS.	A41283

TITLE RING TERMINALS 3 PC, NYLON INSULATED, HEAVY DUTY #16-12 CUSTOMER DRAWING	
ITEM REVISION NAME N41283BB/07	PANDUIT
DATASET FILE NAME N41283BB_DC/07A	
UNLESS OTHERWISE SPECIFIED, DIMENSIONAL TOLERANCES ARE: IN [mm] .x ± .1 [2.54] .xxx ± .005 [.13] .xx ± .01 [.25] ANGLES ± 5°	
MATERIAL: SEE NOTES	
DRAWING NUMBER: A41283	
DRAWN BY DAW	DATE -
CHK LA	SCALE N.T.S.
SHT 1 OF 1	
SIZE A	

D10100DA/15