

THIS DRAWING IS UNPUBLISHED.

RELEASED FOR PUBLICATION

-. - .

© COPYRIGHT - By -

ALL RIGHTS RESERVED.

LOC	DIST	REVISIONS					
HB	-	P	LTR	DESCRIPTION	DATE	DWN	APVD
		-	-	-	-	-	-

NOTES:

1.LOT NO. SYSTEM AS FOLLOWING:

0	8	2	5
---	---	---	---

 WEEK
 YEAR

2.GENERAL TOLERANCE AS FOLLOWING:

TOLERANCE	
0~0.99mm	±0.1
1mm~2.99mm	±0.2
3mm MIN.	±0.3

(D) (C) 3.FOR THE TIN-PLATING OF THE PINS:
 +0.1mm FOR WIDTH,THICKNESS AND DIAMETER.
 +0.5mm FOR LENGTH.

OMIH-SH-105LM	5-1440009-4	OMIH-SH-105LM	5V
OMIH-SH-148LM	0-1461373-4	OMIH-SH-148LM	48V
OMIH-SH-148DM	2-1461373-0	OMIH-SH-148DM	48V
OMIH-SH-124LM	1461373-3 (B1)	OMIH-SH-124LM	24V
OMIH-SH-124DM	1-1461373-9	OMIH-SH-124DM	24V
OMIH-SH-118LM	1461373-2	OMIH-SH-118LM	18V
OMIH-SH-112LM	7-1440000-1	OMIH-SH-112LM	12V
OMIH-SH-112DM	1-1461373-8	OMIH-SH-112DM	12V
OMIH-SH-109LM	6-1440000-8	OMIH-SH-109LM	9V
OMIH-SH-109DM	1-1461373-7	OMIH-SH-109DM	9V
OMIH-SH-106LM	0-1461373-1	OMIH-SH-106LM	6V
OMIH-SH-106DM	1-1461373-6	OMIH-SH-106DM	6V
OMIH-SH-105LM	6-1440000-7	OMIH-SH-105LM	5V
OMIH-SH-105DM	1-1461373-5 (A1)	OMIH-SH-105DM	5V
DESCRIPTION	PART NAME	PART A	PART B

RELAY TYPE

		UV RESIN	UV SEAL	16
		EPOXY RESIN	SEAL	15
UL94 V-0		PBT	CASE	14
CLASS E		UEW	MAGNETIC WIRE	13
UL94 V-0		PET	BASE	12
UL94 V-0		PBT	BOBBIN	11
	SOLDER DIP	CP WIRE	COIL TERMINAL	10
UL94 V-0		PPS	CARD	9
		Ag ALLOY	MOVABLE CONTACT	8
		Ag ALLOY	STATIONARY CONTACT	7
		Cu ALLOY	HINGE SPRING	6
	SOLDER DIP	Cu ALLOY	STATIONARY TERMINAL	5
	SOLDER DIP	Cu ALLOY	MOVABLE SPRING	4
		STEEL	CORE	3
		STEEL	ARMATURE	2
		STEEL	YOKE	1
INCOMBUSTIBILITY	TREATMENT	MATERIAL	DESCRIPTION	ITEM

THIS DRAWING IS A CONTROLLED DOCUMENT.		DWN	-		
		CHK	Y.Xiao		
		APVD	N.Funayama		
		PRODUCT SPEC	CH.HSU		
		APPLICATION SPEC	-		
		WEIGHT	-		
		CUSTOMER DRAWING	SCALE	SHEET	REV
			4:1	2 of 2	D

TE Connectivity

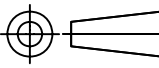
OMIH CUSTOMER DRAWING

SIZE: A3

CAGE CODE: 00779

DRAWING NO: C=1-1461373-8

RESTRICTED TO: -

DIMENSIONS:	TOLERANCES UNLESS OTHERWISE SPECIFIED:
mm	
	0 PLC ± -
	1 PLC ± -
	2 PLC ± -
	3 PLC ± -
	4 PLC ± -
ANGLES ± -	
MATERIAL	FINISH
-	-