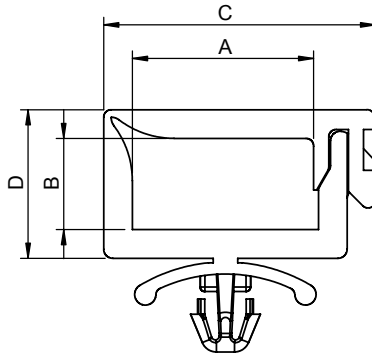
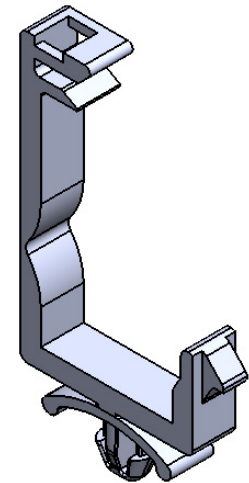
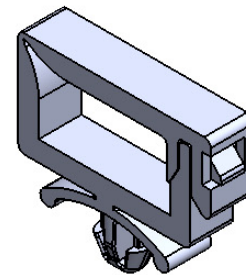


To snap  $\varnothing 3.5\text{mm}$  hole  
0.8~2.2 mm panel



PART NUMBER		A	B	C	D
MATERIAL: NYLON 6/6,RNS-01, NATURAL	MATERIAL:UL 94 V-0 NYLON 6/6,RNS-19, NATURAL				
WSLC-1-01	WSLC-1-19	6	2	12	5.8
WSLC-2-01	WSLC-2-19	6	4	12	7.8
WSLC-3-01	WSLC-3-19	9	4	15	7.8
WSLC-4-01	WSLC-4-19	9	6	15	9.8
WSLC-5-01	WSLC-5-19	12	4	18	7.8
WSLC-6-01	WSLC-6-19	12	6	18	9.8



Note:

- 1.Material: NYLON 6/6,UL 94 V-2(RMS-01);
- 2.FLAME RETARDAN,NYLON(RMS-19),  
AVAILABLE BY SPECIAL ORDER ONLY.  
TO ORDER, REPLACE"-01" WITH "-19"
- 3.COLOR:NATURAL;

TITLE: WIRE SADDLE LOCKING CLAMP						DWG IN MM[IN]	
CREATED USING SOLIDWORKS	FILE #: ---	DWN: <i>Michene</i>	APP:	FINAL			
TOLERANCES UNLESS NOTED .X=±.20 .XX=±.10 FRAC.=±1/64 ANG.=±1°	SHEET: 1 OF 1	SHEET SIZE: A	DT: 13/08/12	CHKD:	PART #	PRINT TYPE	
RE: RICHCO, XIAMEN		RICHCO, XIAMEN RICHCO_XIAMEN@RICHCO.CN (+86) 0592-4884500		WSLC		CA	

01	PRODUCTION RELEASE	M.C 13/11/12
REV.	DESCRIPTION	ENGR. DATE