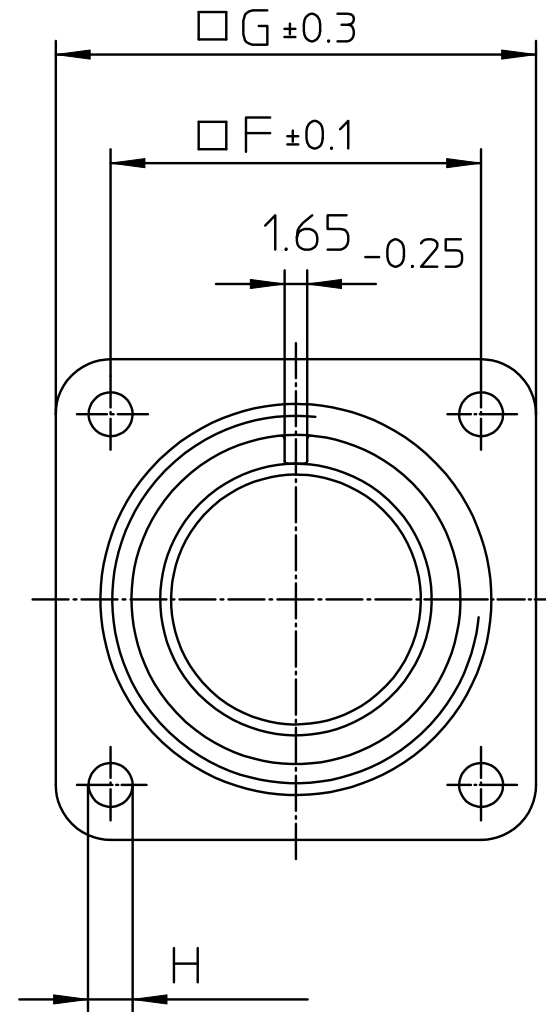
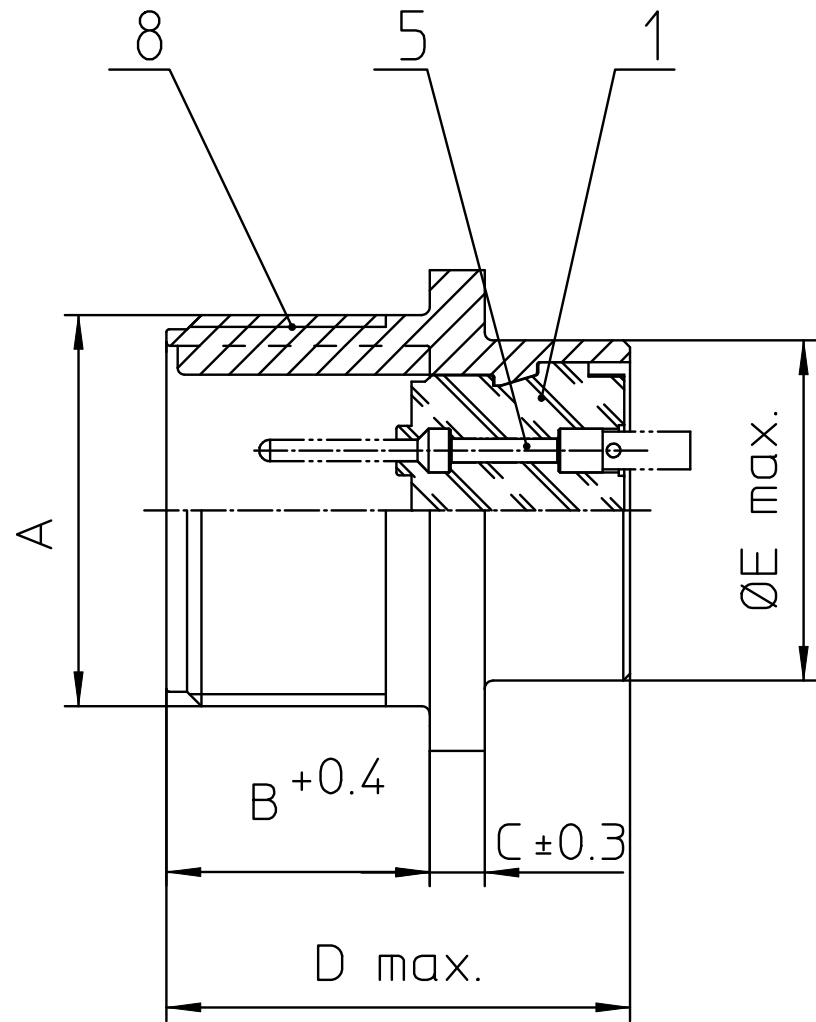
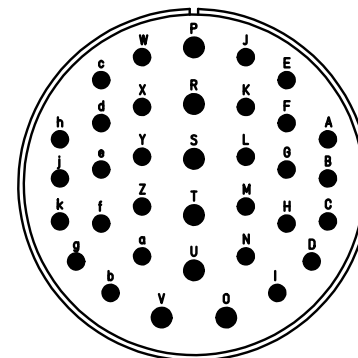


| NO. | MASSE / DIMENSION |
|-----|-------------------|
| A | 2-18NS-2A |
| B | 22.2 |
| C | 4 |
| D | 34.2 |
| E | 47.6 |
| F | 44.5 |
| G | 57 |
| H | 4.4 |



| NO. | BESCHREIBUNG / DESCRIPTION |
|-----|-------------------------------------|
| 1 | ISOLIERKÖRPER STIFT / INSULATOR PIN |
| 5 | KONTAKTSTIFT / CONTACT PIN |
| 8 | DOSENGEHÄUSE / SHELL |



Note: Due to an automatic nomenclature system, numbers generated may not be sequential.
 Specification and Dimensions subject to change
 Drawings illustrate normal insulator positioning

| | |
|--------------------------------|--|
| Material Specification: | |
| Shell Material: | Aluminium alloy |
| Shell Plating: | Olive drab chromate coating over cadmium plating |
| Insulator Material: | Neoprene |
| Contact Material: | Copper alloy |
| Contact Plating: | Hard silver |

all dimensions are in mm
 Dimensions without tolerance indications are general tolerances in acc. with DIN7168m

drawing for
 CUSTOMER



description CA3102E32-7P-F0
 Box mounting receptacle

Solder Cup / Pin / Layout: 32-7

© All rights reserved. Reproduction or issue to third in any form
 whoever is only permitted with written authorization of ITT Cannon



page 1/1
 revision 769 16. Jul 18