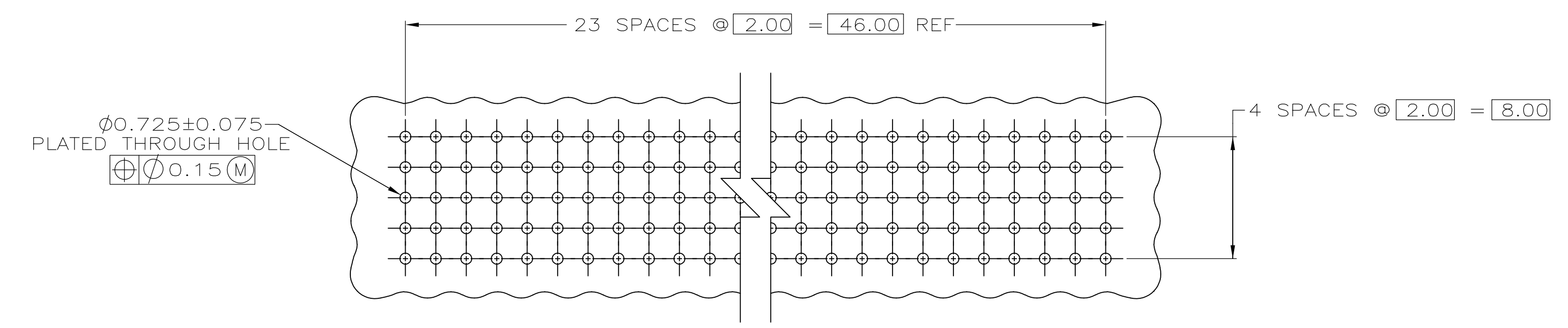
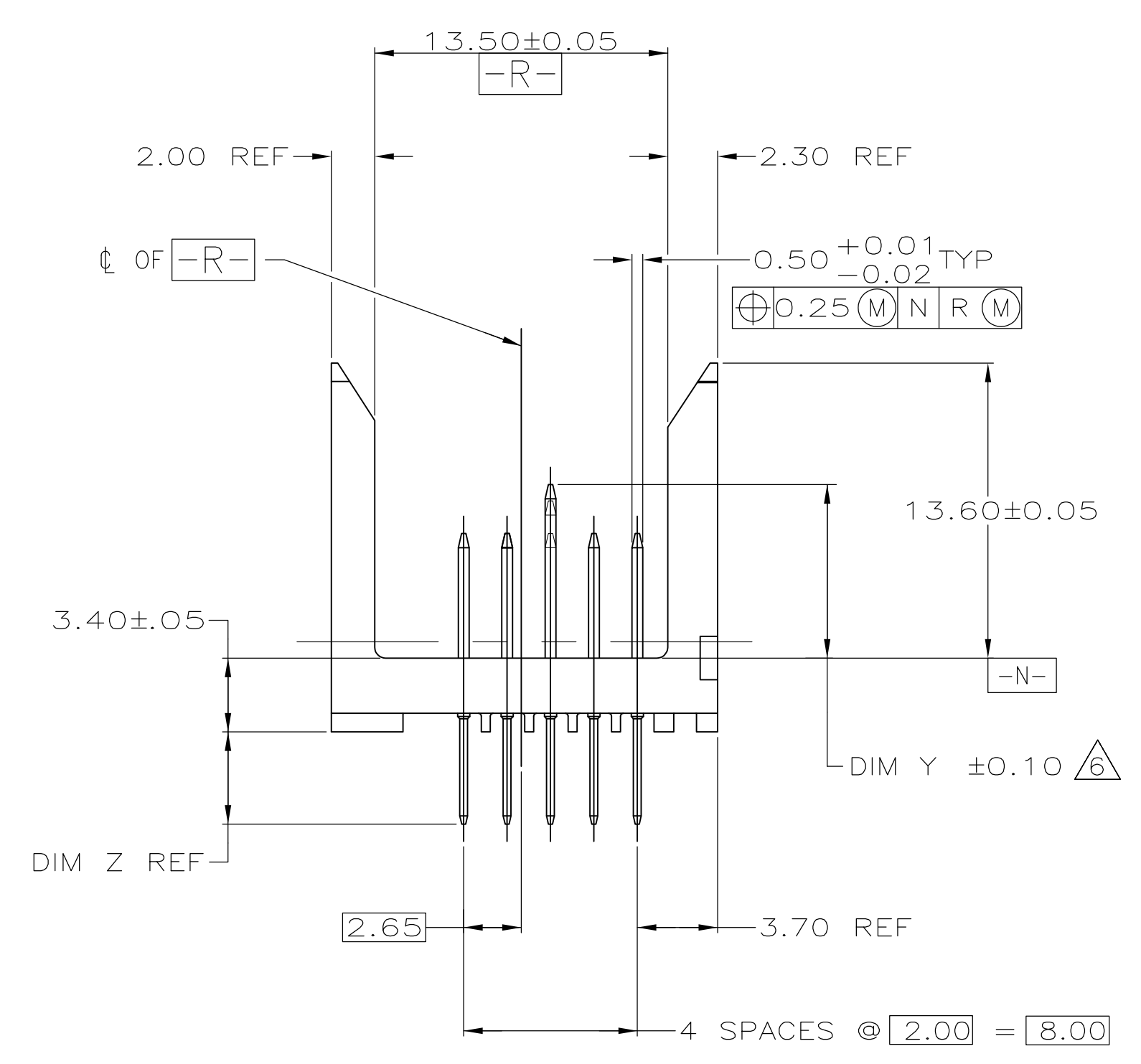
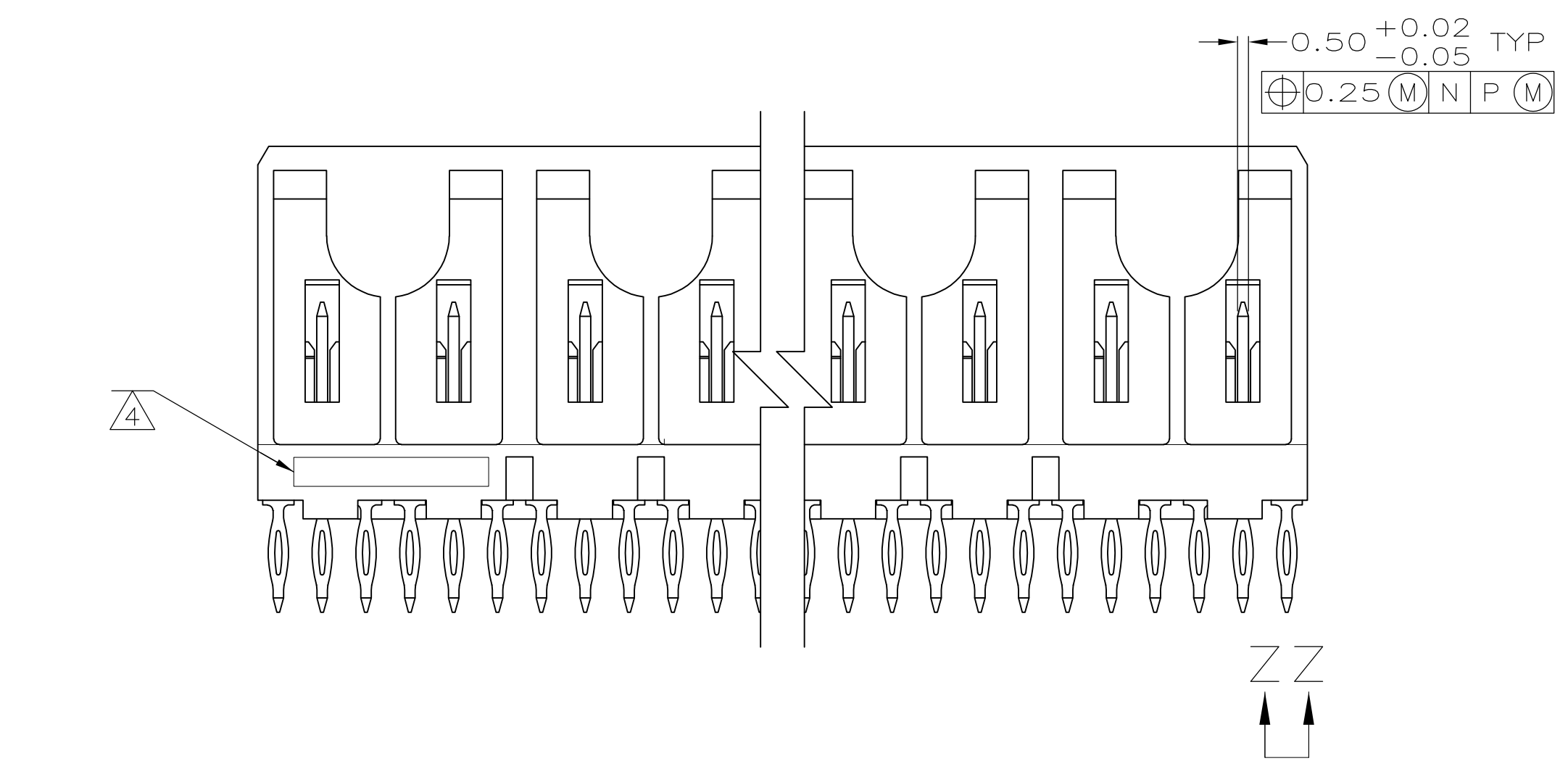
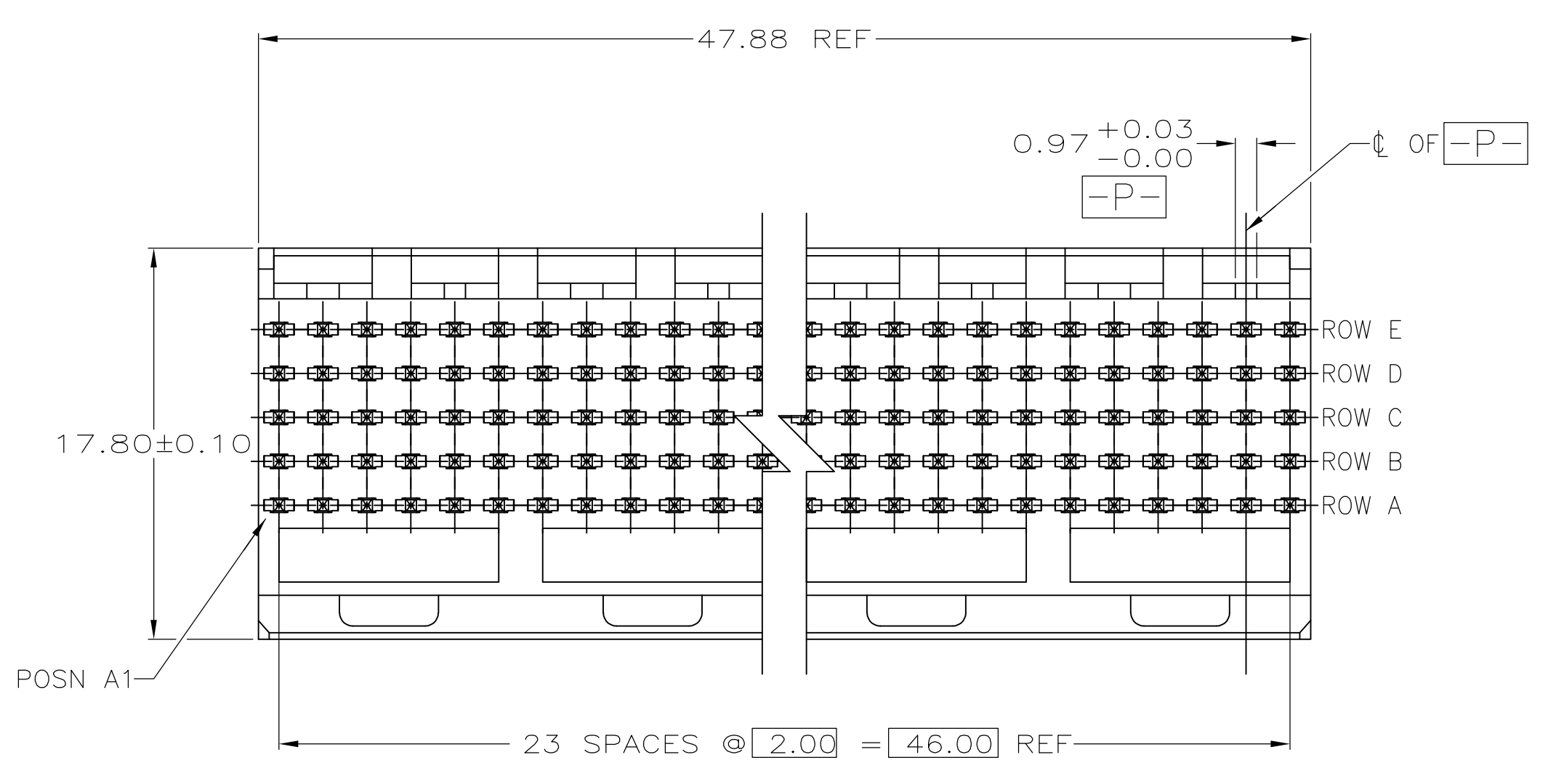
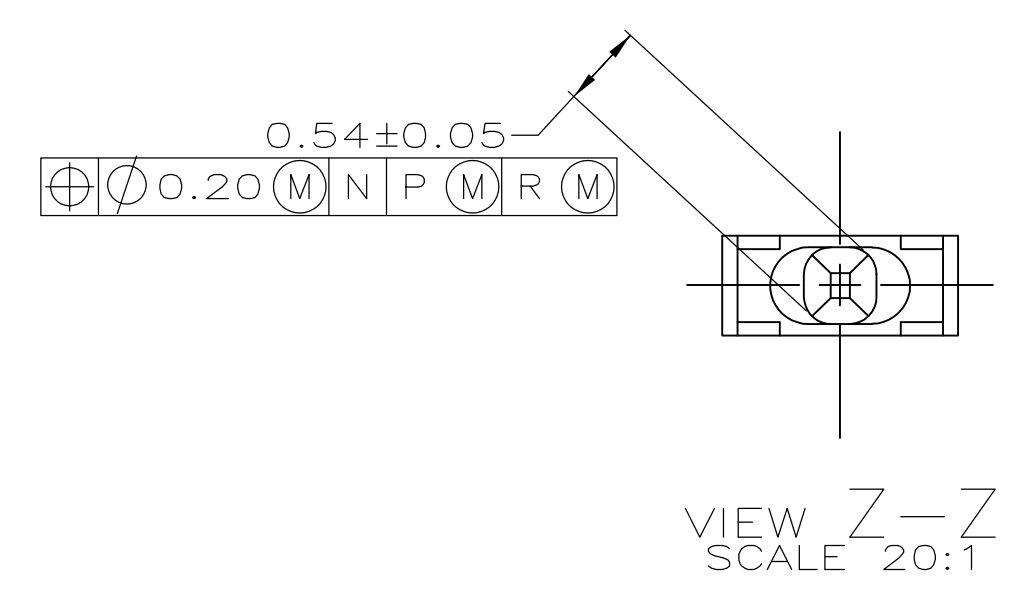


LOC		DIST		REVISIONS			
F	LTR	DESCRIPTION	DATE	DMN	APVD		
C		REVISED PER ECO-10-016021	05AUG2010	SY	CW		
D		ECR-12-008098	08MAY2012	WC	AC		



RECOMMENDED CIRCUIT PATTERN  
(COMPONENT SIDE)



VIEW Z-Z  
SCALE 20:1

- 1 HOUSING MATERIAL: LIQUID CRYSTAL POLYMER.  
COLOR: NATURAL.
- 2 CONTACT MATERIAL: PHOSPHOR BRONZE.
- 3 CONTACT FINISH:(B)  
UNDERPLATE (ENTIRE CONTACT):  
0.00127 MIN NICKEL PER SAE-AMS-QQ-N-290  
ON MATING SURFACES:  
CONFORMS TO ALL TESTING SPECIFIED FOR TELCORDIA  
UNCONTROLLED ENVIRONMENT.  
ON LEADS:  
0.0006 MIN MATTE TIN PER ASTM B 545 OVER UNDERPLATE.  
LUBRICATION (MIN MATING SURFACES):  
SURFACE CONDITIONER AFTER PLATING.
- 4 PART MARKING, LOCATED APPROXIMATELY AS SHOWN.
- 5. SEE SHEET 2 FOR SEQUENCING CHARTS.
- 6 DIMENSION APPLIES WHEN SEATED ON PRINTED CIRCUIT BOARD.
- 7 SEE RESTRICTED CUSTOMER DRAWING 1-5223083-9.
- 8 SEE RESTRICTED CUSTOMER DRAWING 2-5223083-0.
- 9 OBSOLETE PARTS: OBSOLETE CIS STREAMLINING PER D.RENAUD/D.SINISI

FINISH	PART NUMBER
3	4-5223083-5
3	4-5223083-9
3	4-5223083-8
3	3-5223083-9
3	3-5223083-7
3	3-5223083-6
3	3-5223083-5
3	3-5223083-3
3	3-5223083-2
3	3-5223083-1
3	3-5223083-0
3	2-5223083-9
3	2-5223083-7
3	2-5223083-6
3	2-5223083-5
3	2-5223083-3
3	2-5223083-0
3	1-5223083-9
3	1-5223083-8
3	1-5223083-7
3	1-5223083-6
3	1-5223083-5
3	1-5223083-4
3	1-5223083-3
3	1-5223083-2
3	1-5223083-1
3	1-5223083-0
3	5223083-9
3	5223083-8
3	5223083-7
3	5223083-6
3	5223083-5
3	5223083-4
3	5223083-3
3	5223083-2
3	5223083-1
3	5223083-0

THIS DRAWING IS A CONTROLLED DOCUMENT.

DIMENSIONS:	TOLERANCES UNLESS OTHERWISE SPECIFIED:	DIN B.MCMMASTER 130EC04	Tyco Electronics Corporation
mm	0. PLC ± -	CIK R.WERTZ 130EC04	Shanghai, P.R.China, 200233
	1. PLC ± -	NAME R.WERTZ 130EC04	
	2. PLC ± 0.13	PRODUCT SPEC	
	3. PLC ± -	APPLICATION SPEC	
	4. PLC ± -	SIZE	A1
	ANGLES ± -	WEIGHT	00779
MATERIAL	FINISH	CAGE CODE	DRAWING NO
		RESTRICTED TO	
		CUSTOMER DRAWING	SCALE 4:1 SHEET 1 OF 3 REV D



