

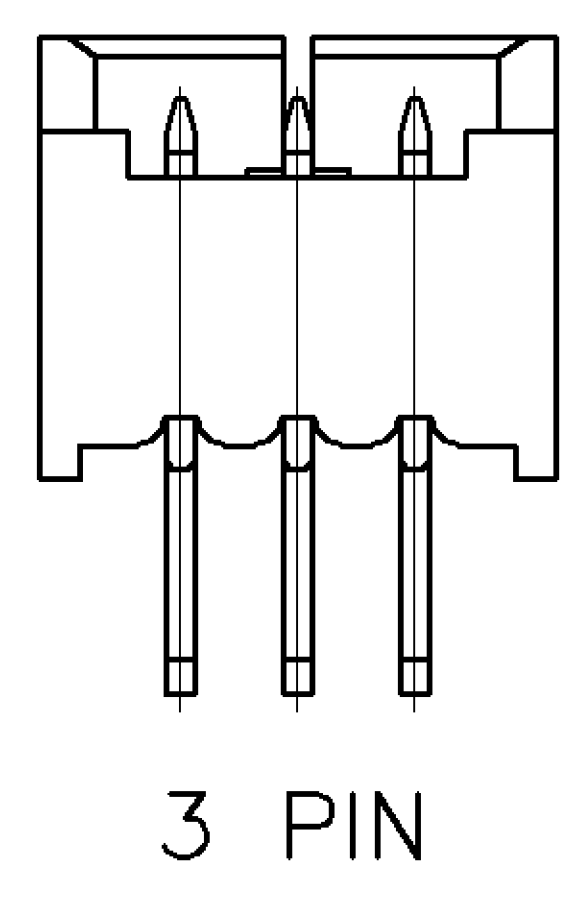
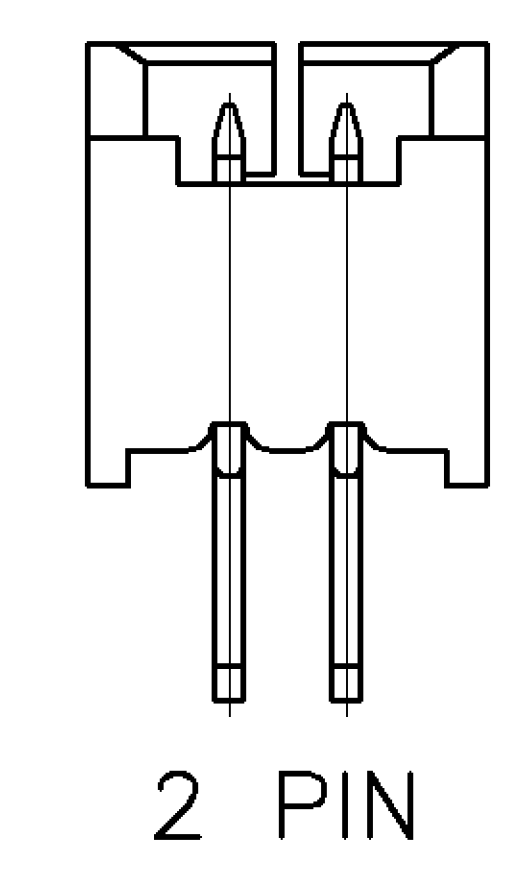
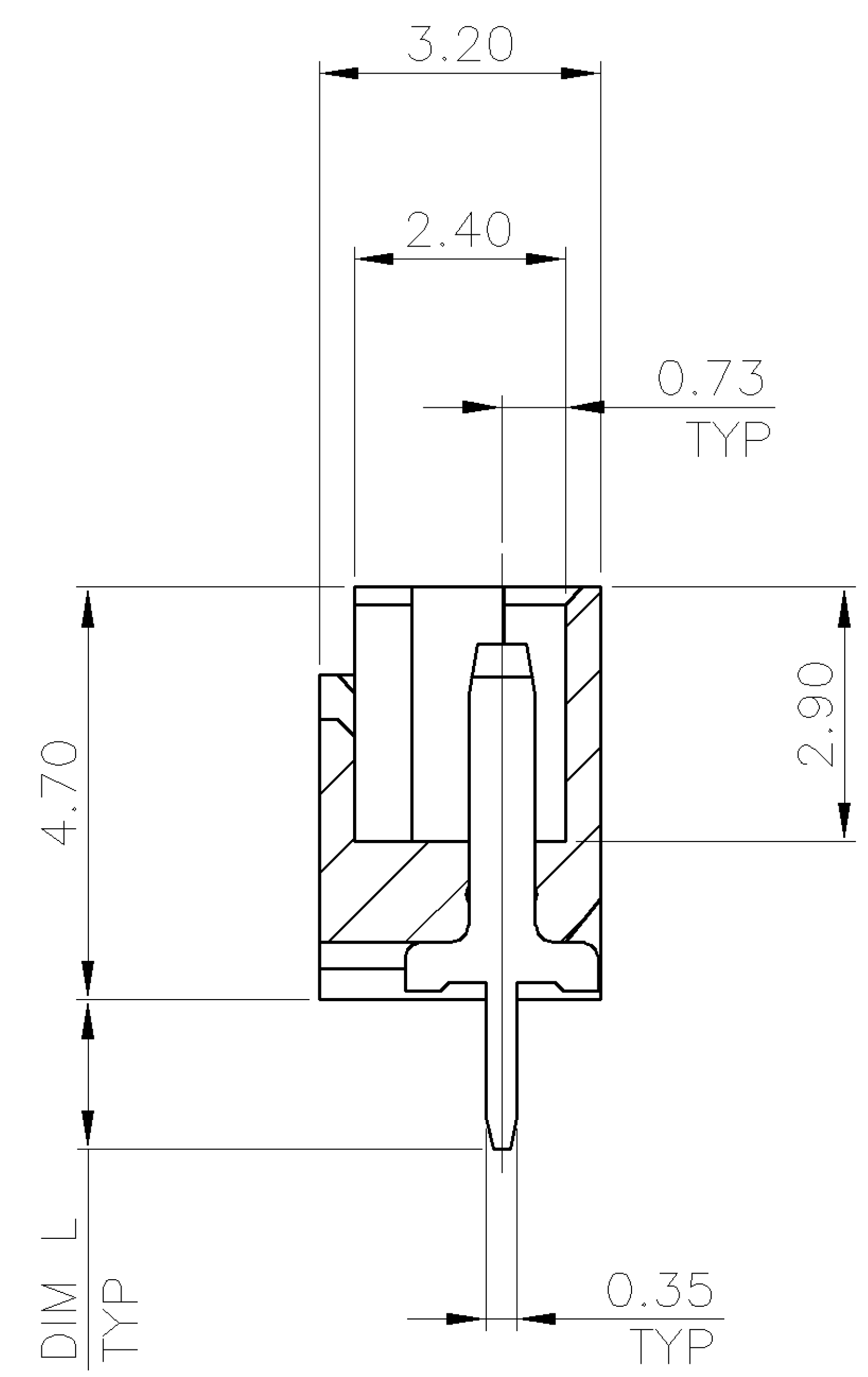
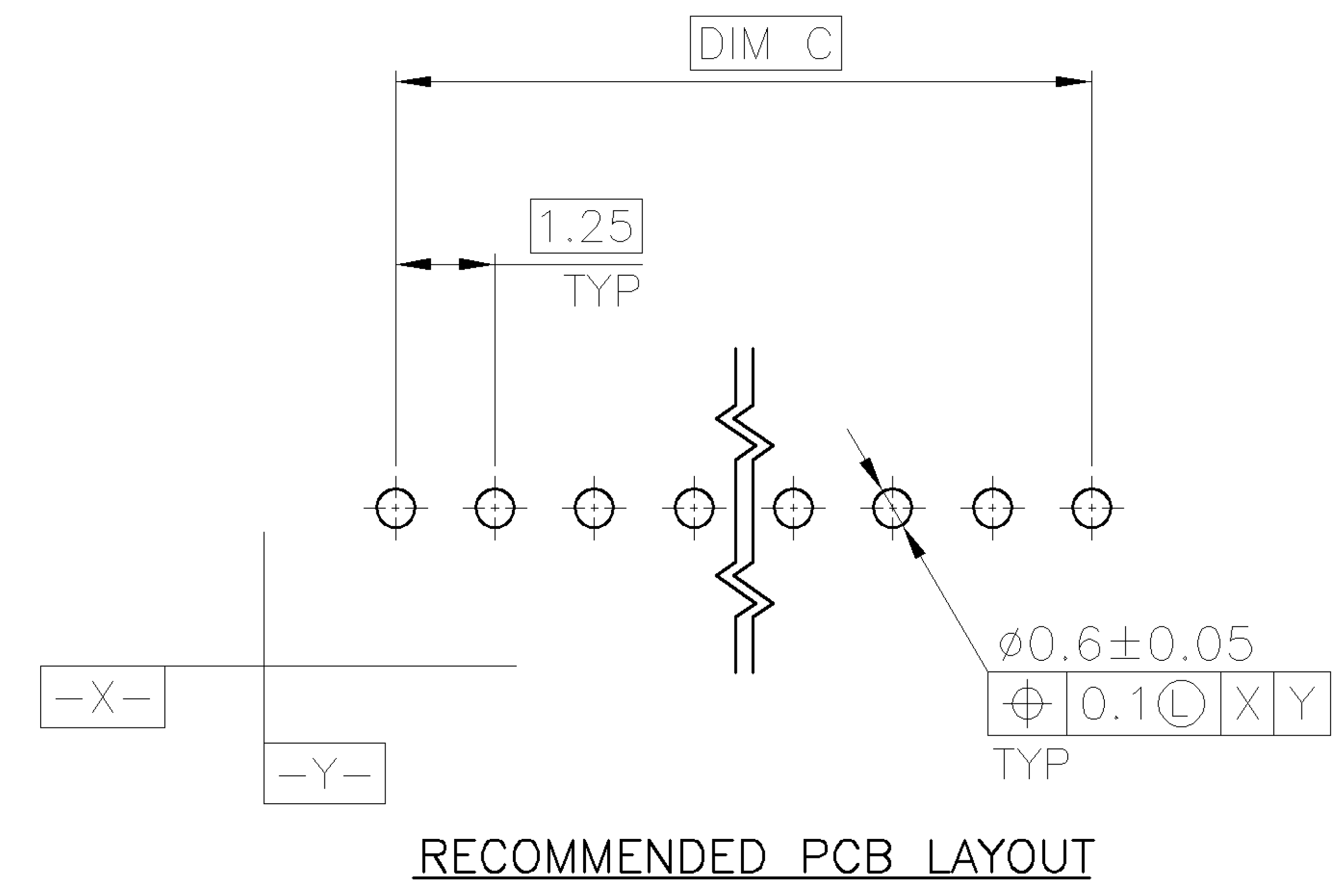
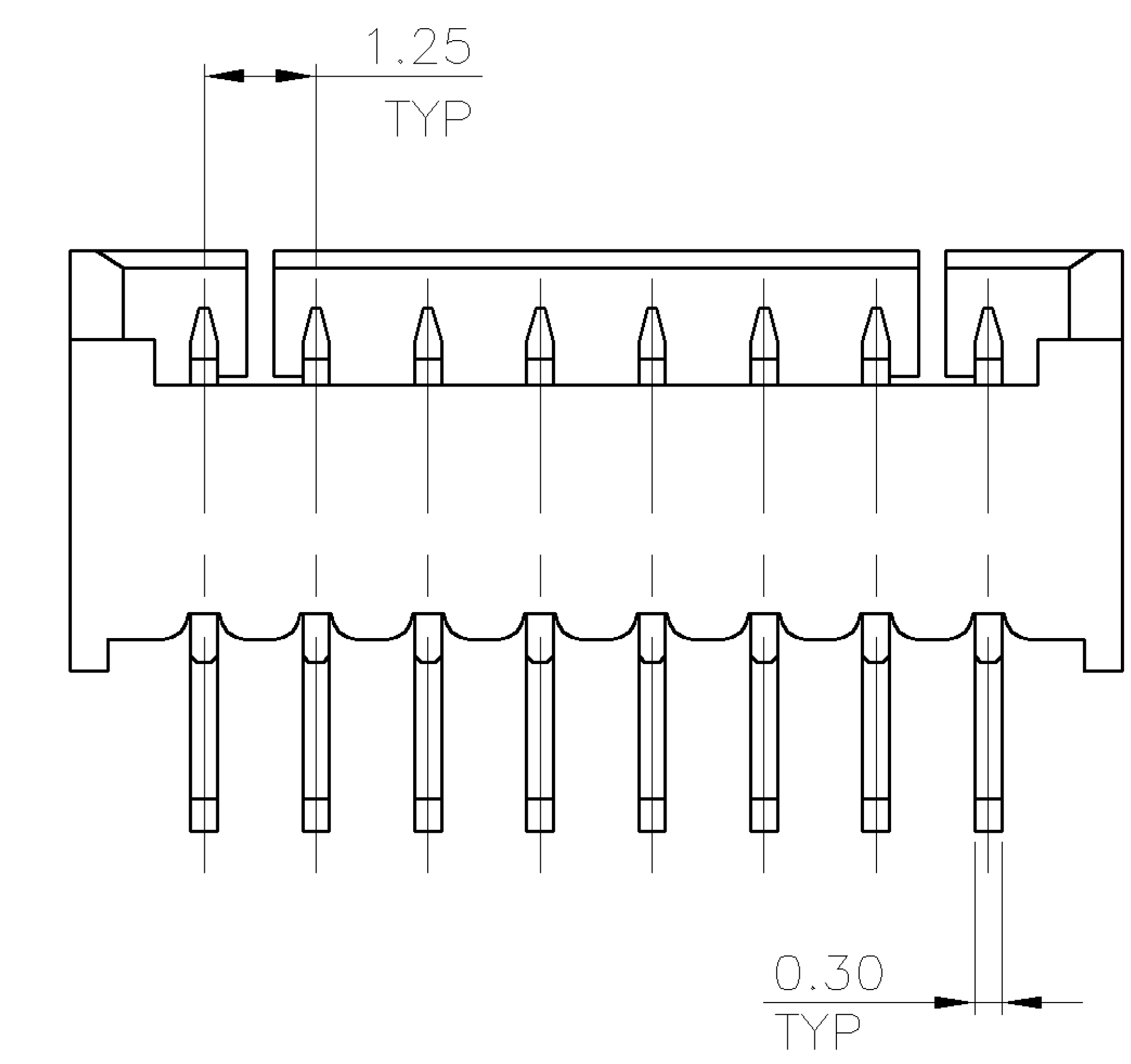
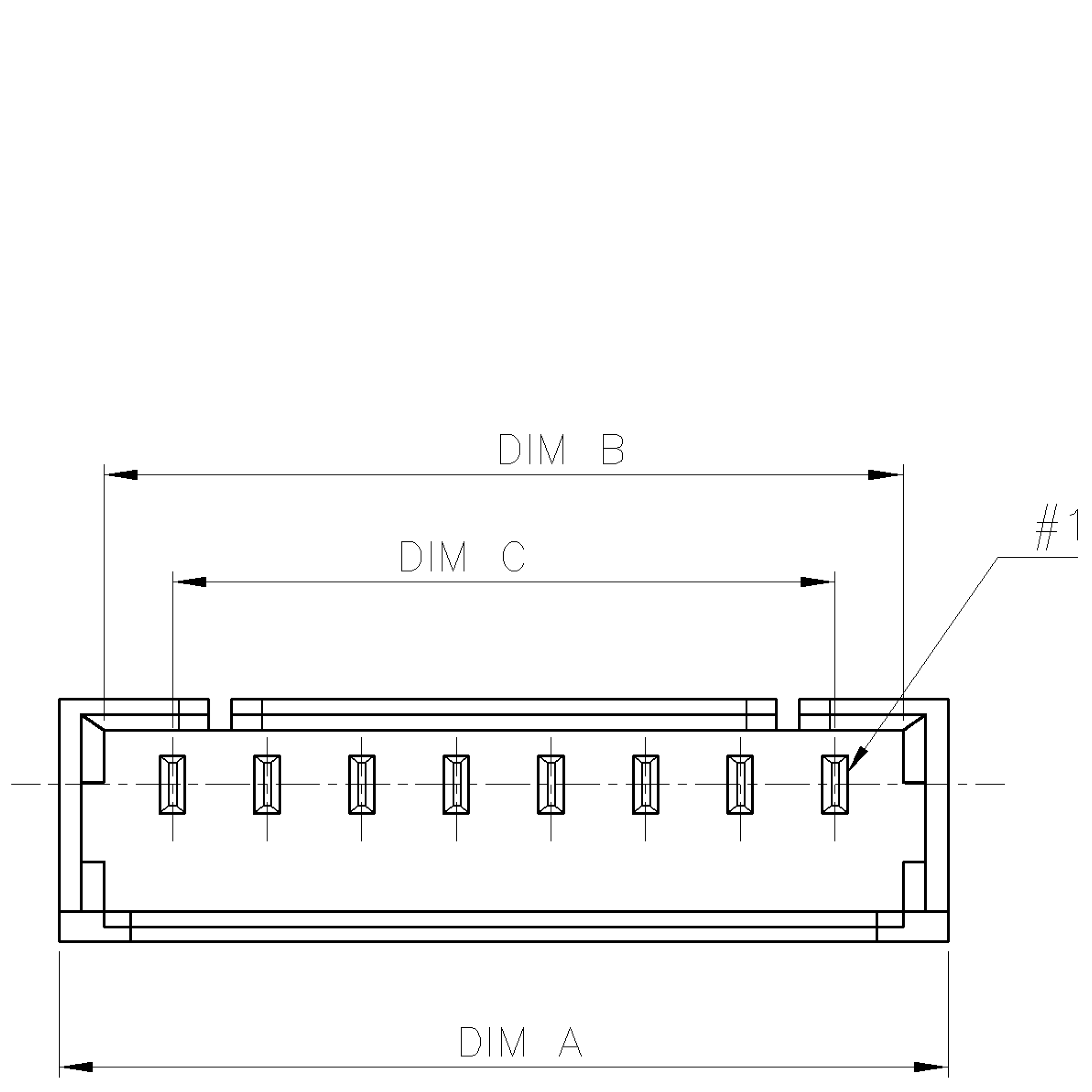
NUMBER
C-1734598

3RD ANGLE PROJECTION

METRIC

DIMENSIONS IN MILLIMETERS. DO NOT SCALE PRINT.

PRINT DIST
DW



NOTE:

1. MATERIAL:
HOUSING: THERMOPLASTIC W/ 33% GF, UL 94V-0, COLOR: NATURAL.
CONTACTS: PHOSPHOR BRONZE.
2. FINISH:
CONTACTS: 120 μ MIN. MATTE-TIN OVER 50 μ MIN. NICKEL PLATED.
3. NO TYCO LOGO AND DATE CODE ON THE PRODUCT.

3.70	17.50	19.30	20.50	15	5-1734598-5
	16.25	18.05	19.25	14	5-1734598-4
	15.00	16.80	18.00	13	5-1734598-3
	13.75	15.55	16.75	12	5-1734598-2
	12.50	14.30	15.50	11	5-1734598-1
	11.25	13.05	14.25	10	5-1734598-0
	10.00	11.80	13.00	9	4-1734598-9
	8.75	10.55	11.75	8	4-1734598-8
	7.50	9.30	10.50	7	4-1734598-7
	6.25	8.05	9.25	6	4-1734598-6
	5.00	6.80	8.00	5	4-1734598-5
	3.75	5.55	6.75	4	4-1734598-4
	2.50	4.30	5.50	3	4-1734598-3
	1.25	3.05	4.25	2	4-1734598-2
2.30	17.50	19.30	20.50	15	3-1734598-5
	16.25	18.05	19.25	14	3-1734598-4
	15.00	16.80	18.00	13	3-1734598-3
	13.75	15.55	16.75	12	3-1734598-2
	12.50	14.30	15.50	11	3-1734598-1
	11.25	13.05	14.25	10	3-1734598-0
	10.00	11.80	13.00	9	2-1734598-9
	8.75	10.55	11.75	8	2-1734598-8
	7.50	9.30	10.50	7	2-1734598-7
	6.25	8.05	9.25	6	2-1734598-6
	5.00	6.80	8.00	5	2-1734598-5
	3.75	5.55	6.75	4	2-1734598-4
	2.50	4.30	5.50	3	2-1734598-3
	1.25	3.05	4.25	2	2-1734598-2
1.70	17.50	19.30	20.50	15	1-1734598-5
	16.25	18.05	19.25	14	1-1734598-4
	15.00	16.80	18.00	13	1-1734598-3
	13.75	15.55	16.75	12	1-1734598-2
	12.50	14.30	15.50	11	1-1734598-1
	11.25	13.05	14.25	10	1-1734598-0
	10.00	11.80	13.00	9	1734598-9
	8.75	10.55	11.75	8	1734598-8
	7.50	9.30	10.50	7	1734598-7
	6.25	8.05	9.25	6	1734598-6
	5.00	6.80	8.00	5	1734598-5
	3.75	5.55	6.75	4	1734598-4
	2.50	4.30	5.50	3	1734598-3
	1.25	3.05	4.25	2	1734598-2

DIM. L	DIM. C	DIM. B	DIM. A	NO. OF CONTACTS	PART NUMBER
--------	--------	--------	--------	-----------------	-------------

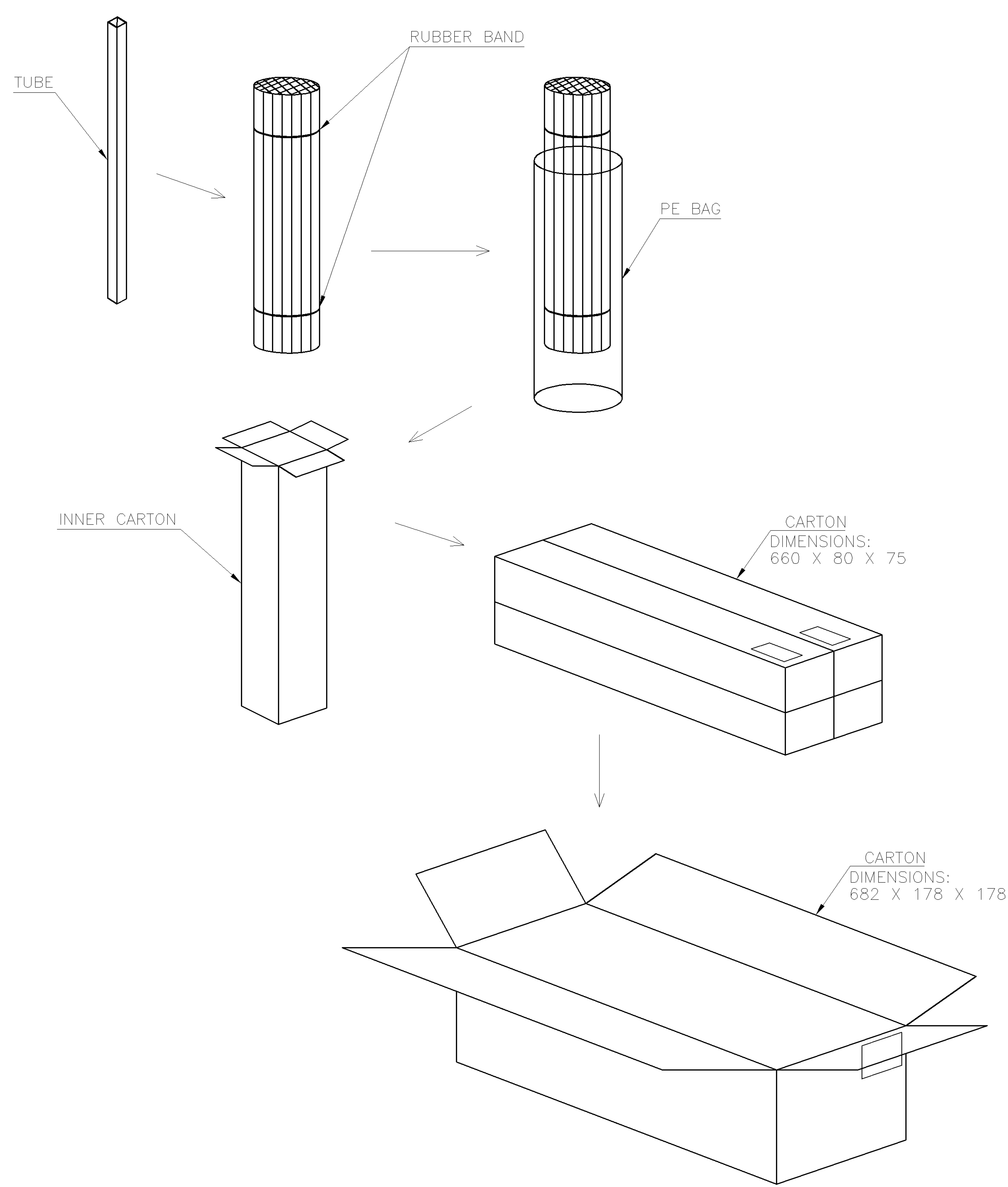
TOLERANCES UNLESS OTHERWISE SPECIFIED: 0 PLC \pm - 1 PLC ± 0.38 2 PLC ± 0.25 3 PLC \pm - ANGLES $\pm 5^\circ$	DWN	A. WU 30-DEC-2005	TE Connectivity 1.25 MM PITCH WIRE TO BOARD CONNECTOR, HEADER, DIP, VERTICAL			
	CHK	S. HOU 30-DEC-2005				
MATERIAL SEE NOTE	APVD	W.J. KE 30-DEC-2005	QUALIFICATION TEST REPORT 501-57299			
	PRODUCT SPEC	108-57273				
FINISH SEE NOTE	WEIGHT	-	LOC	SIZE	DRAWING NO	REV
			DW	A ₃	C-1734598	P
			SCALE		SHEET	
					1 OF 2	

P	REVISION RECORD	REVISD PER ECO-11-005301	RK HMR 5APR11
LTR		ECO	DWN CHK DATE

NUMBER C-1734598
 METRIC

3RD ANGLE PROJECTION

PRINT DIST
 DW



TUBES/CARTON	QUANTITY	PCS/TUBE	G/W (KG)	N/W (KG)	NO. OF CONTACTS
200	6000	30	5.948	2.178	15
200	6400	32	5.920	2.150	14
200	6800	34	5.919	2.148	13
200	7200	36	5.959	2.188	12
200	7800	39	5.868	2.098	11
200	8600	43	5.972	2.201	10
200	9400	47	5.970	2.199	9
200	10400	52	5.954	2.184	8
200	11600	58	5.974	2.204	7
200	13200	66	5.850	2.112	6
200	15200	76	5.929	2.158	5
200	18000	90	5.930	2.160	4
200	22000	110	5.950	2.178	3
200	28200	141	5.915	2.143	2

TOLERANCES UNLESS OTHERWISE SPECIFIED: 0 PLC ±- 1 PLC ±- 2 PLC ±- 3 PLC ±- ANGLES ±-	DWN A. WU 30-DEC-2005	TE Connectivity NAME 1.25 MM PITCH WIRE TO BOARD CONNECTOR, HEADER, DIP, VERTICAL
	CHK S. HOU 30-DEC-2005	
MATERIAL -	APVD W.J. KE 30-DEC-2005	LOC SIZE DRAWING NO REV DW A ₃ C-1734598 P
	PRODUCT SPEC	
FINISH -	APPLICATION SPEC	SCALE SHEET -- 2 OF 2
	WEIGHT	

LTR	REVISION RECORD	SEE SHEET 1.	ECO	DWN	CHK	DATE
-----	-----------------	--------------	-----	-----	-----	------

DIMENSIONS IN MILLIMETERS. DO NOT SCALE PRINT.