

4

3

2

1

THIS DRAWING IS UNPUBLISHED.

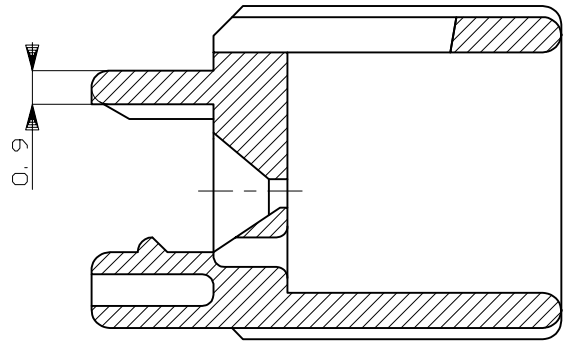
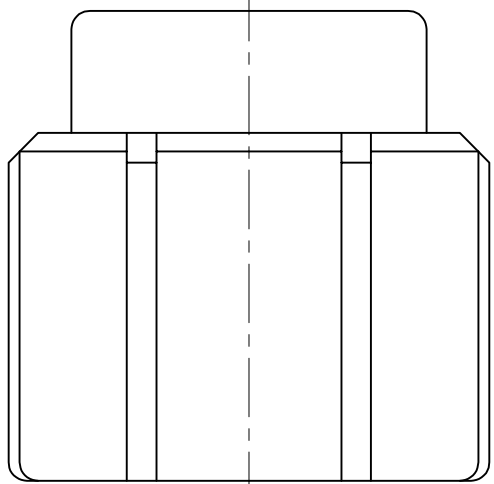
RELEASED FOR PUBLICATION

--

© COPYRIGHT - By -

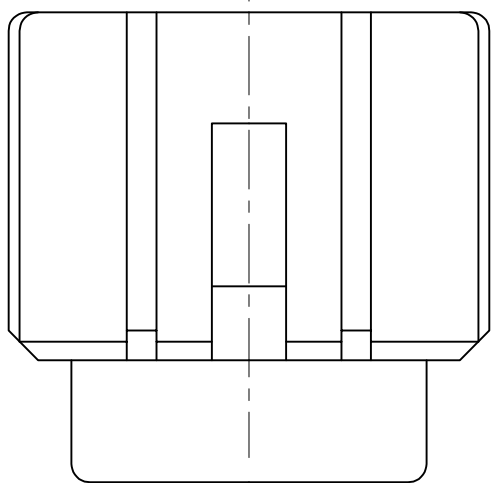
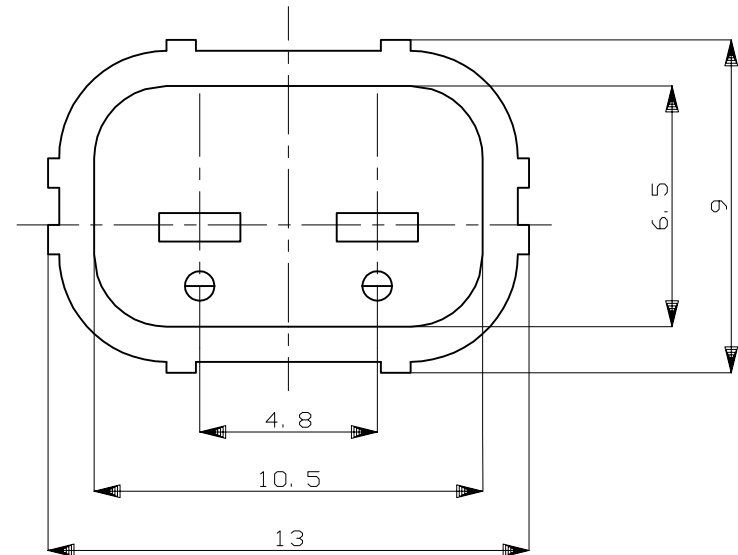
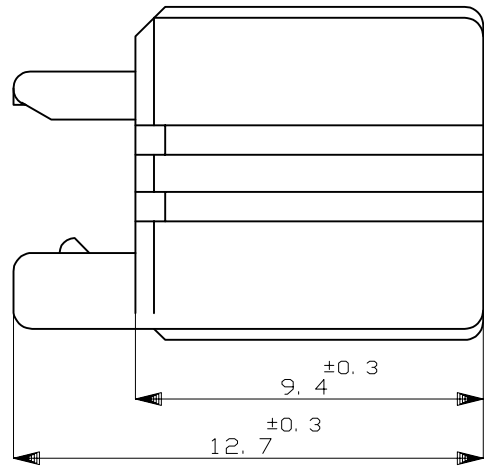
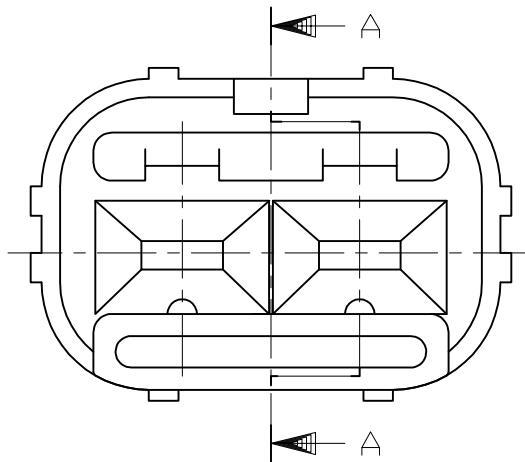
ALL RIGHTS RESERVED.

LOC	DIST	REVISIONS					
		P	LTR	DESCRIPTION	DATE	DWN	APVD
J	-	C1	REVISED	ECR-15-000191	08JAN2014	TS	KB




SECTION 断面 A-A

- 1. 本品は、キャップハウジング型番174354に装着される。
- 1. TO BE MATED WITH CAP HOUSING (PN:174354)



HB	自然色 (NATURAL)	1-174355-1
V-2	黄 (YELLOW)	174355-7
使用材料難燃グレード (FLAMMABILITY OF MATERIAL)	色 (COLOR)	型番 (PART NUMBER)

THIS DRAWING IS A CONTROLLED DOCUMENT.		DWN	K.ODA	8/19'87	 TE Connectivity			
DIMENSIONS: mm		CHK	Y.MATSUSAKA	8/24'87				
TOLERANCES UNLESS OTHERWISE SPECIFIED:		APVD	M.NOBUCHI	8/25'87				
0 PLC ±- 1 PLC ±- 2 PLC ±- 3 PLC ±- 4 PLC ±- ANGLES ±-		PRODUCT SPEC	108-5262					
MATERIAL		APPLICATION SPEC	-		NAME	2P. ECONOSEAL J-MARKII+ CONNECTOR DOUBLE LOCK PLATE FOR CAP HOUSING		
PBT		FINISH	-		SIZE	A3		
GENERAL TOLERANCE		WEIGHT		-		CAGE CODE	00779	
0 < * ≤ 10 : ±0.2 10 < * ≤ 30 : ±0.25 30 < * ≤ 100 : ±0.3 ANGLES : ±3°		CUSTOMER DRAWING		DRAWING NO		C=174355		
		SCALE		5:1		SHEET		1 of 1
						REV		C1