

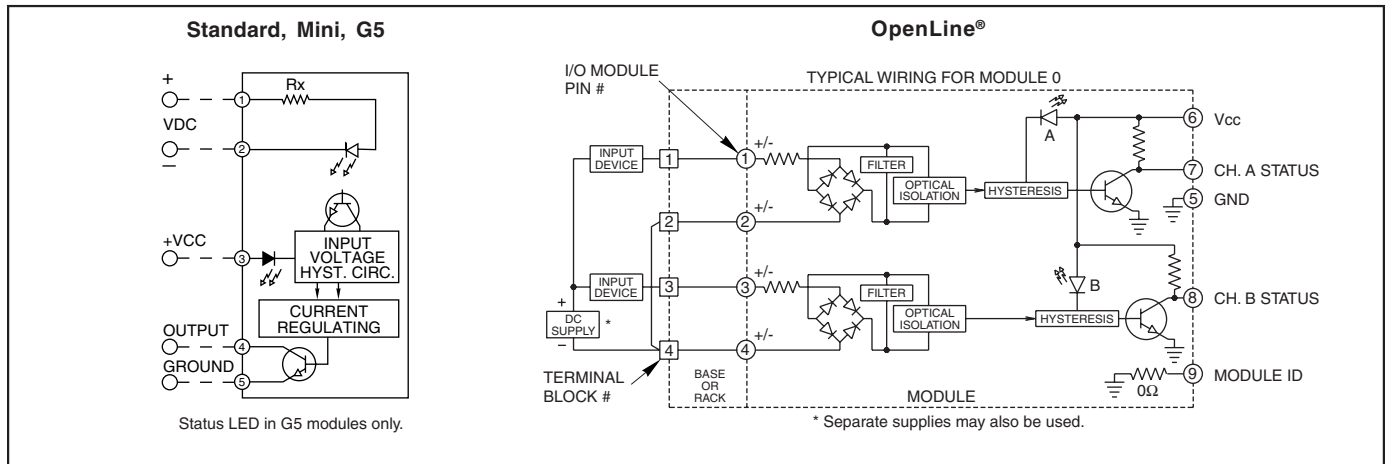
FEATURES

- Transient Protection: Meets the requirements of IEEE 472, "Surge Withstanding Capability Test"*
- Non-Polarized Types Provide Inputs For AC or DC
- UL, CSA, CE, TÜV Certified (TÜV not available on OpenLine)
- Optical Isolation
- OpenLine® and G5 Modules have Built-in Status LED



70L-IDC 70G-IDC 70-IDC 70M-IDC

CIRCUITRY



SPECIFICATIONS: By Package Style

Package Style		Std (70-)	Mini (70M-)	G5 (70G-)	OL (70L-)
Specifications	Units				
Output Current Range	mA	1-50	1-50	1-50	1-50
Min. Output Breakdown Voltage	Vdc	50	50	50	50
Isolation Voltage ¹	Vrms	4000	4000	4000	2500
Vibration ²		MIL-STD-202	MIL-STD-202	MIL-STD-202	IEC68-2-6
Mechanical Shock ³		MIL-STD-202	MIL-STD-202	MIL-STD-202	IEC68-2-27
Storage Temp. Range	°C	-40 to +125	-40 to +125	-40 to +125	-40 to +100
Operating Temp. Range	°C	-40 to +100	-40 to +100	-40 to +100	-40 to +85
Warranty		Lifetime	Lifetime	Lifetime	Lifetime

¹ Field to logic and channel-to-channel if Grayhill racks are used.

² MIL-STD-202, Method 204, 20 G, 10-2000 Hz or IEC68-2-6, 0.15 mm/sec², 10-150 Hz.

³ MIL-STD-202, Method 213, Condition F, 1500 G or IEC68-2-27, 11 mS, 15g.

SPECIFICATIONS: By Part Number
 Standard and Miniature Modules

Type/Function		Grayhill Part Number			
Miniature, Non-Polarized		70M-IDC5G	70M-IDC5NP	70M-IDC15NP	
Standard, Non-Polarized		70-IDC5G	70-IDC5NP	70-IDC15NP	70-IDC24NP
Specifications	Units	Units			
Maximum Input Voltage	Vac/Vdc	60	32	32	32
Input Voltage Range ¹	Vac/Vdc	35-60	15-32/10-32	15-32/10-32	15-32/10-32
Input Current @ Max. Input Voltage	mA	6	18	18	18
Maximum Turn-on Time	mSec	10	5	5	5
Maximum Turn-off Time	mSec	10	5	5	5
Nominal Input Resistance (Rx)	W	10K	1.8K	1.8K	1.8K
Maximum Pick Up Voltage (Output Low)	Vac/Vdc	35	15/10	15/10	15/10
Minimum Drop Out Voltage (Output High)	Vac/Vdc	9	3	3	3
Nominal Logic Voltage (Vcc)	Vdc	5	5	15	24
Logic Voltage Range	Vdc	3-6	3-6	8-18	15-30
Max. Logic Supply Current @ Nominal Vcc	mA	10	10	10	10

G5 Modules

Type/Function		Grayhill Part Number		
G5, Non-Polarized, Status LED		70G-IDC5G	70G-IDC5NP	70G-IDC15NP
Specifications	Units	Units		
Maximum Input Voltage	Vac/Vdc	60	32	32
Input Voltage Range ¹	Vac/Vdc	35-60	15-32/10-32	15-32/10-32
Input Current @ Max. Input Voltage	mA	6	18	18
Maximum Turn-on Time	mSec	10	5	5
Maximum Turn-off Time	mSec	10	5	5
Nominal Input Resistance (Rx)	W	10K	1.8K	1.8K
Maximum Pick Up Voltage (Output Low)	Vac/Vdc	35	15/10	15/10
Minimum Drop Out Voltage (Output High)	Vac/Vdc	9	3	3
Nominal Logic Voltage (Vcc)	Vdc	5	5	15
Logic Voltage Range: Std & Mini	Vdc	4.5-6	4.5-6	10-18
Max. Logic Supply Current @ Nominal Vcc	mA	10	10	10

OpenLine® Modules

Type/Function		Grayhill Part Number
Dual, Non-Polarized, Status LED		70L-IDCNP
Specifications	Units	
Maximum Input Voltage	Vac/Vdc	32
Input Voltage Range ¹	Vac/Vdc	15-32/10-32
Input Current @ Max. Input Voltage	mA	17
Maximum Turn-on Time	mSec	5
Maximum Turn-off Time	mSec	5
Nominal Input Resistance (Rx)	W	1.9K
Maximum Pick Up Voltage (Output Low)	Vac/Vdc	5/10
Minimum Drop Out Voltage (Output High)	Vac/Vdc	3
Nominal Logic Voltage (Vcc)	Vdc	5
Logic Voltage Range	Vdc	4.5-28
Max. Logic Supply Current @ Nominal Vcc	mA	6/CH
Module ID Resistance to Logic Ground	W	0

¹ For input voltages in the range of 90 to 140 Vdc, use AC input modules 70-IAC5, 70M-IAC5, 70G-IAC5 or 70L-IAC. For input voltages in the range of 180 to 280 Vdc, use AC input modules 70-IAC5A, 70M-IAC5A, 70G-IAC5A or 70L-IACA.

Available from your local Grayhill Distributor. For prices and discounts, contact a local Sales Office, an authorized local Distributor or Grayhill.