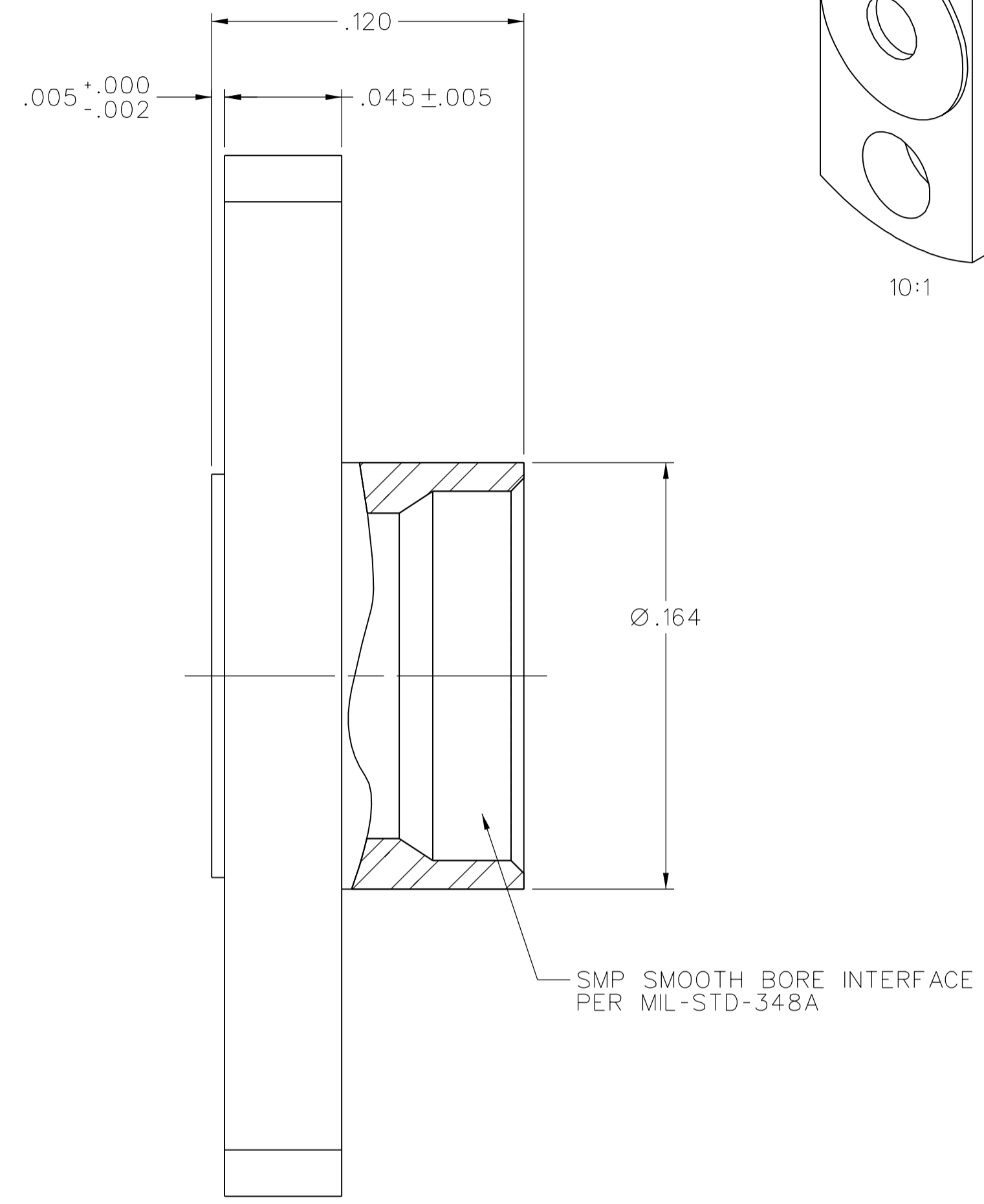
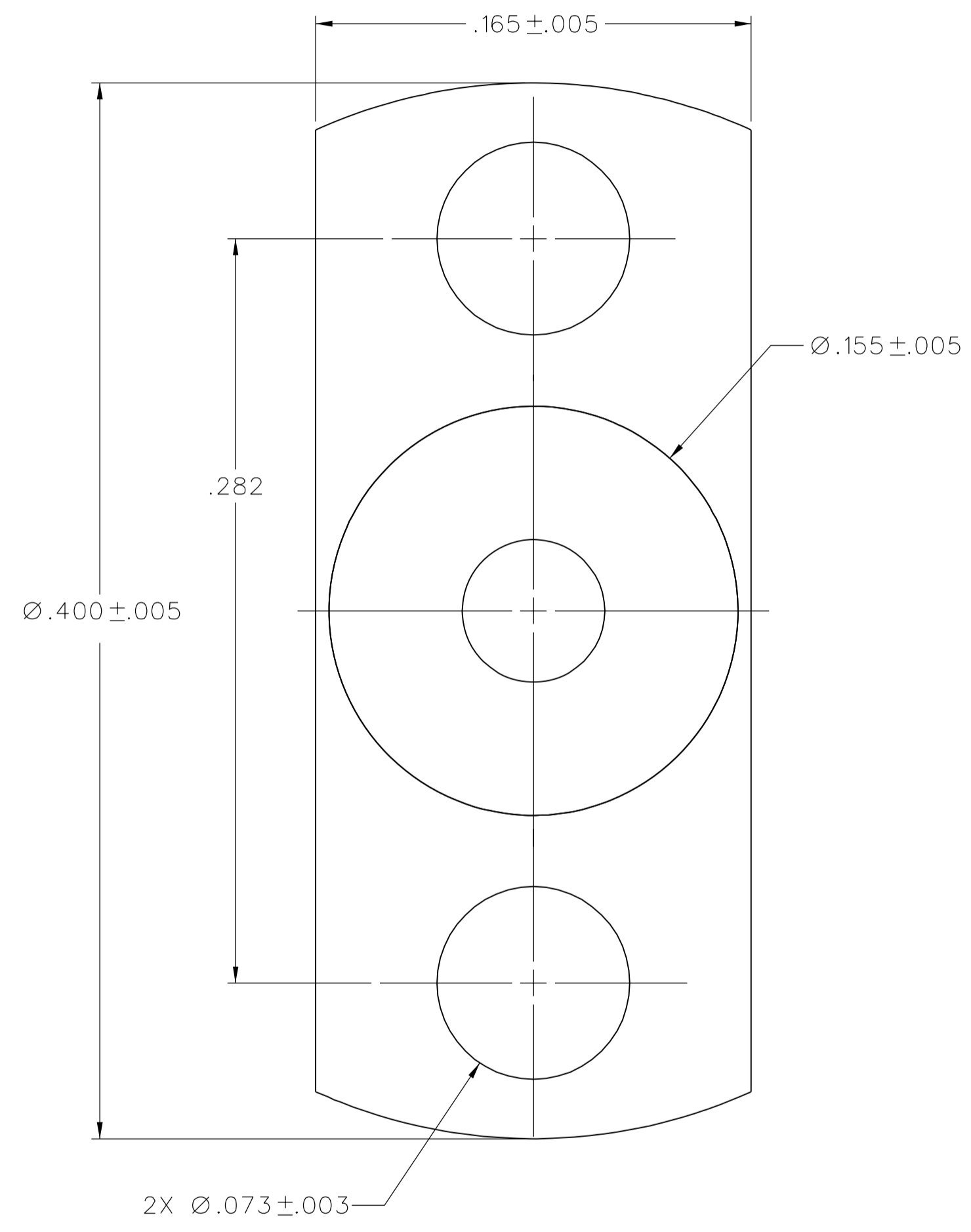
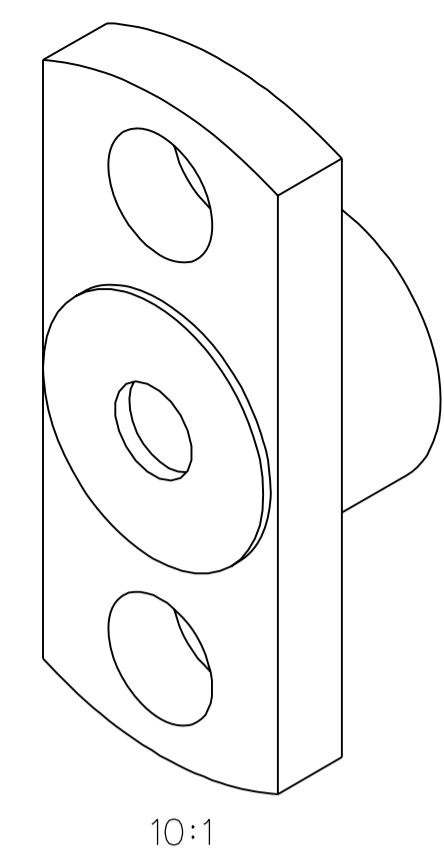


PART NUMBER	SHROUD MATERIAL
127-2701-602	STAINLESS STEEL PASSIVATED

DRAWING NO. C - 127-2701-601/610					
0 REVISIONS					
ENGINEERING RELEASE					
1	1-10-07	PAT	JRK	PDW	2-17-07 ECN 50899
VERSION UPDATE					
***** * REVISION NUMBER FOLLOWED BY AN ALPHA * * CHARACTER INDICATES DRAWING CLARIFI- * * CATION OR PART NUMBER ADDITION ONLY. * *****					
1a	11-12-07	PAT	JRK	MRB	11-13-07 ECN 51292



NOTES:


- SPECIFICATIONS:
 - INTERFACE DIMENSIONS: IN ACCORDANCE WITH MIL-STD-348A, SERIES SMP, SMOOTH BORE
 - CONTACT RESISTANCE: INITIAL 2.0 MILLIOHM MAX, AFTER ENVIRONMENTAL NOT APPLICABLE
 - MECHANICAL:
 - ENGAGEMENT FORCE: 2 POUNDS MAX
 - DISENGAGEMENT FORCE: 0.5 POUNDS MIN
 - DURABILITY: 1000 CYCLES MIN
 - ENVIRONMENTAL:
 - (MEETS OR EXCEEDS THE APPLICABLE PARAGRAPH OF DSCC DWG NO. 94007)
 - OPERATING TEMPERATURE: -65°C TO 165°C
 - THERMAL SHOCK: MIL-STD-202, METHOD 107, CONDITION B, EXCEPT 165°C HIGH TEMP
 - CORROSION: MIL-STD-202, METHOD 101, CONDITION B
 - VIBRATION, HIGH FREQUENCY: MIL-STD-202, METHOD 204, CONDITION D
 - VIBRATION, RANDOM: MIL-STD-202, METHOD 214, CONDITION F

CUSTOMER DRAWING

THIS DRAWING TO BE INTERPRETED
PER ASME Y 14.5M - 1994

"μSTATION"

COMPANY CONFIDENTIAL

TOLERANCE UNLESS OTHERWISE SPECIFIED		DRAWN BY PAT	DATE 11-30-06	 Cinch CONNECTIVITY SOLUTIONS a bel group	Cinch Connectivity Solutions P.O. Box 1732 Waseca, MN 56093 1-800-247-8256	
DECIMALS	mm	CHECKED BY PDW	DATE 2-16-07		TITLE SMP SMOOTH BORE FLANGE MOUNT SHROUD	
.XX	_____	APPROVED BY JRK	DATE 2-16-07	SHEET 2 OF 2		
.XXX	REF _____	RELEASE DATE 2-17-07	SCALE 20:1	DRAWING NO. C - 127-2701-601/610		
MATL	_____	U/M	INCH			
FINISH	_____					