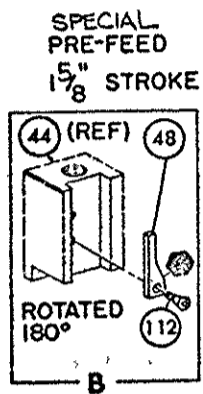
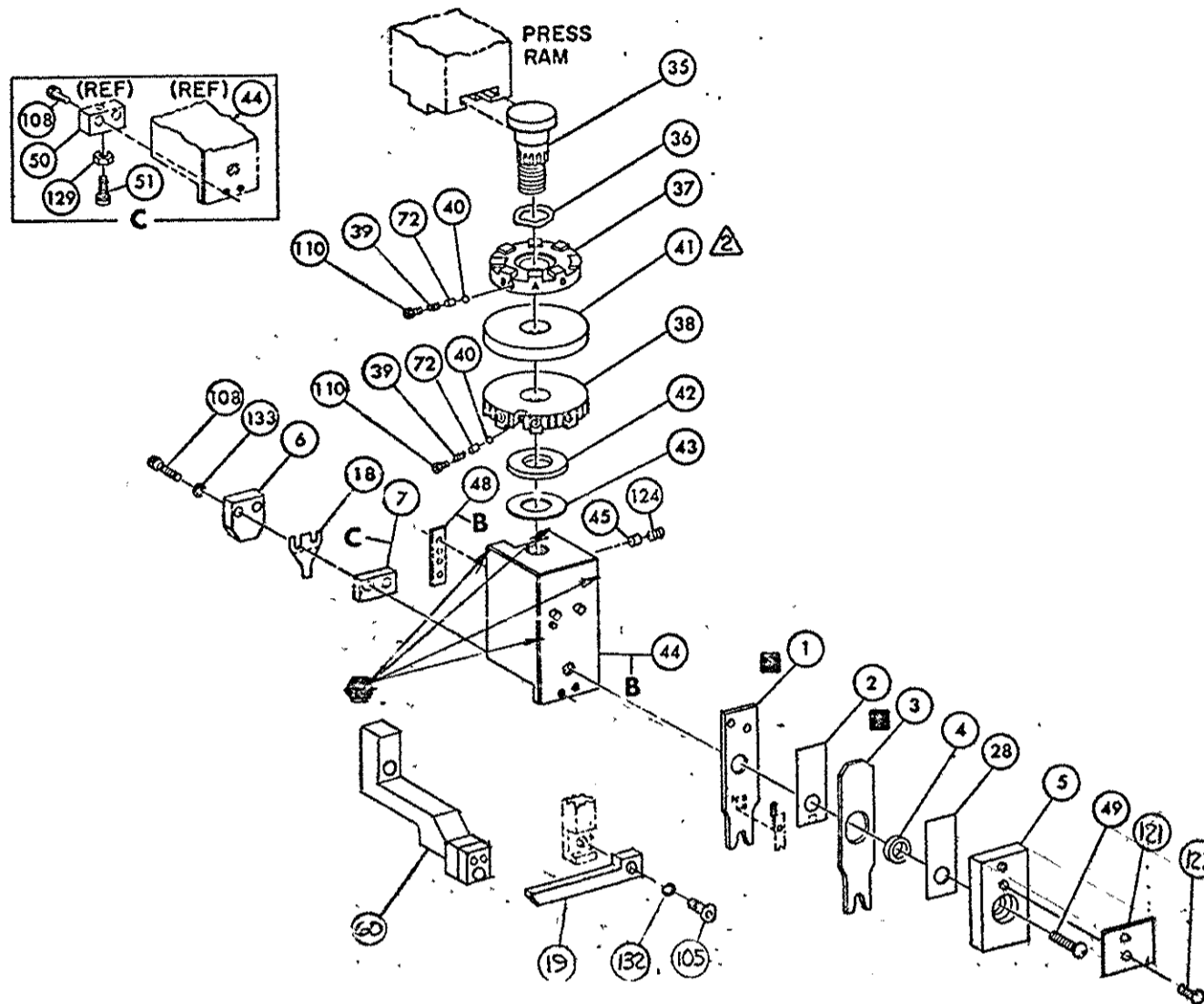
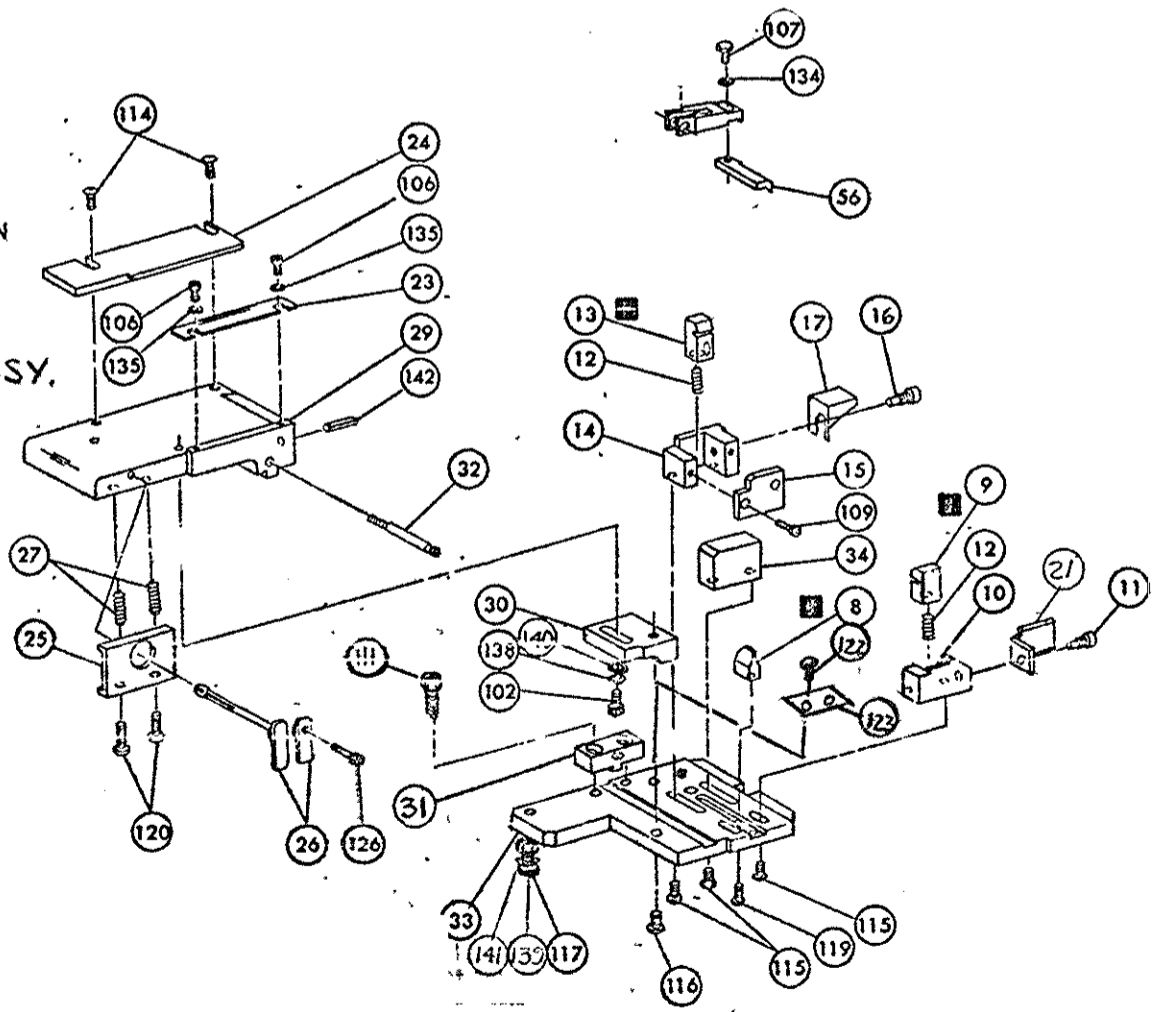


THIS DRAWING IS A CONTROLLED DOCUMENT FOR AMP INCORPORATED. IT IS SUBJECT TO CHANGE AND THE CONTROLLING ENGINEERING ORGANIZATION SHOULD BE CONTACTED FOR THE LATEST REVISION.

THIS IS A CONTROLLED DOCUMENT.



- NOTES:**
- I- ONLY THE ITEMS WITH QUANTITIES SPECIFIED ON PARTS LIST ARE USED ON THIS APPLICATOR.
 - USED IN PLACE OF ITEM 38 WHEN INSULATION CRIMP IS NOT USED.
 - 3-FEED PIVOT- BOTTOM HOLE
 - CUT TO LENGTH AT ASSY.
- KEY:**
- RECOMMENDED SPARE PARTS CUSTOMER RESPONSIBLE FOR REPLACEMENT.
 - GREASE WEEKLY



QTY	PART NO	DESCRIPTION	ITEM NO	REV	QTY	PART NO	DESCRIPTION	ITEM NO
		PLATE, TERMINAL NO	145					59
		PLATE, SERIAL NO	144					58
		PLATE, SERIAL NO	143					57
1	4-21028-0	PIN, SLOT SPR (.093 DIA X .75) STR G PLATE	142		REF	694433-8	PAWL FEED	56
1	21899-2	WASHER, FLAT (NO 10) MOUNTING	141					55
1	21899-2	WASHER, FLAT (NO 10) S. G. ADJ BLOCK	140					54
1	21024-5	WASHER, LOCK (NO 10) MOUNTING	139					53
1	21024-5	WASHER, LOCK (NO 10) STRIP GUIDE ADJ BLOCK	138					52
			137					51
			136					50
2	21057-2	WASHER, LOCK (NO 4) FRONT STRIP GUIDE	135	1	7-21002-9	BOLT, CRIMPER (BUT. HD. 5/16-24 UNF X 1.00)		49
REF	21024-4	WASHER, LOCK (NO 8) FEED FINGER	134	1	690602-6	CAM PRE FEED 1.62	STROKE	48
2	21024-4	WASHER, LOCK (NO 8) DEPRESSOR	133					47
REF	21024-4	WASHER, LOCK (NO 8) STRIPPER	132					46
			131	1	690191-1	PLUG, NYLON		45
			130	1	455673-1	RAM		44
			129	1	690125-1	WASHER, LAMINATED		43
			128	1	690124-1	WASHER, RAM		42
			127			DISC, SPACER		41
			126	2	23241-6	BALL, STEEL		40
			125	2	690170-1	SPRING, COMPRESSION		39
1	21009-2	SCR, SKT SET (1/4-20 X .25) (LOC-WEL) RAM	124	1	690142-1	DISC, INSULATION		38
1	690701-2	PLATE, SERIAL NO	123	1	9-690692-9	DISC, WIRE		37
4	21017-2	SCR, DRIVE (#2 X 1.88 LG)	122	1	22480-5	WASHER, SPRING		36
1	819247-1	PLATE, I.D.	121	1	690212-1	POST, RAM		35
2	2-21002-9	SCR, BUT HD SKT CAP (10-32 X .75) DRAG	120			SUPPORT, TERMINAL		34
1	22733-8	SCR, BUT HD SKT CAP (8-32 X .38) (LOC-WEL) ANVIL	119	1	462544-1	PLATE, BASE SPECIAL		33
			118	1	690432-3	SCREW, ADJUSTMENT		32
1	3-21002-9	SCR, SOC HD SKT CAP (10-32 X 1.00) MOUNTING	117	1	462543-1	BLOCK, SCREW SPECIAL		31
1	2-22733-1	SCR, BUT HD SKT CAP (10-32 X .50) SG ADJ BLOCK	116	1	455689-1	BLOCK, STRIP GUIDE ADJ		30
4	22733-9	SCR, BUT HD SKT CAP (8-32 X .50) SHEAR	115	1	455671-2	PLATE, STRIP GUIDE		29
2	2-21002-2	SCR, BUT HD SKT CAP (8-32 X .50) R STRIP GUIDE	114	1	1-455888-0	SPACER, FRONT SHEAR DEPRESSOR		28
			113	2	1-27284-1	SPRING, DRAG		27
1	1-21002-7	SCR, BUT HD SKT CAP (6-32 X .50) CAM	112	1	690546-1	LEVER, DRAG RELEASE		26
2	2-21000-7	SCR, SKT HD CAP (8-32 X .50) SCR. BLOCK	111	1	240792-1	DRAG, STOCK		25
2	23030-1	SCR, SKT HD CAP (6-32 X .25) (LOC-WEL) CP DISC	110	1	856873-1	GUIDE STRIP (REAR)		24
2	1-21000-8	SCR, SKT HD CAP (6-32 X .25) REAR SHEAR PLATE	109	1	690438-1	GUIDE, STRIP (FRONT)		23
REF	3-21000-0	SCR, SKT HD CAP (8-32 X .38) DEPRESSOR (REAR)	108					22
2	2-21002-1	SCR, BUT HD MACH (8-32 X .38) FEED FINGER	107	1	463756-1	GUIDE SCRAP		21
2	1-21000-3	SCR, SKT HD CAP (4-40 X .25) F STRIP GUIDE	106					20
REF	2-21002-1	SCR, BUT HD CAP (8-32 X .38) STRIPPER	105	1	462615-4	STRIPPER		19
			104	1	1-690518-9	HOLDER, TERMINAL		18
			103	1	691668-1	GUARD CHIP (REAR)		17
1	3-22603-1	SCR, HEX HD CAP (10-32 X .38) SG ADJ BLOCK	102	1	690461-1	STOP, SHEAR (REAR)		16
			101	1	690691-9	PLATE, SHEAR (REAR)		15
			79	1	681023-1	HOLDER, SHEAR (REAR)		14
			78	1	690463-1	SHEAR, FLOAT (REAR)		13
2	463310-4	BLADE, STRIPPING (#18)	77	2	5-22280-0	SPRING, SHEAR		12
			76	1	690461-2	STOP, SHEAR (FRONT)		11
			75	1	462548-1	HOLDER, SHEAR (FRONT) SPECIAL		10
			74	1	462547-1	SHEAR, FLOAT (FRONT) SPECIAL		9
			73	1	7-690471-0	ANVIL		8
1	690603-1	SPRING, ASSIST	72	1	6-240641-8	SPACER, DEPRESSOR (REAR)		7
			71	1	690468-1	DEPRESSOR, SHEAR (REAR)		6
			70	1	462838-1	DEPRESSOR, SHEAR (FRONT) SPECIAL		5
			69	1	2-238011-2	SPACER, TUBULAR, INS CRIMPER		4
			68	1	4-456135-4	CRIMPER, INSULATION		3
			67	1	455888-3	SPACER, CRIMPER		2
			66	1	2-456403-0	CRIMPER, WIRE		1

QTY	PART NO	DESCRIPTION	ITEM NO
REF	816472-1	STOP WIRE	

REMARKS	NO	REV
APPL USED ON MACHINE PART NO	MACH SERIAL NO	DISTRIBUTION
CUSTOMER NAME	APPL SERIAL NO	ORIGINAL
ADDRESS	PURCHASE ORDER	CUSTOMER COPY
CITY	ENG APP	FIELD ENG COPY

WIRE RANGE 22-18 INSULATION RANGE .049-.085 PRESS NO 463345-1

687438 APPLICATION SPEC 114-9004

AMP INCORPORATED

466928-1