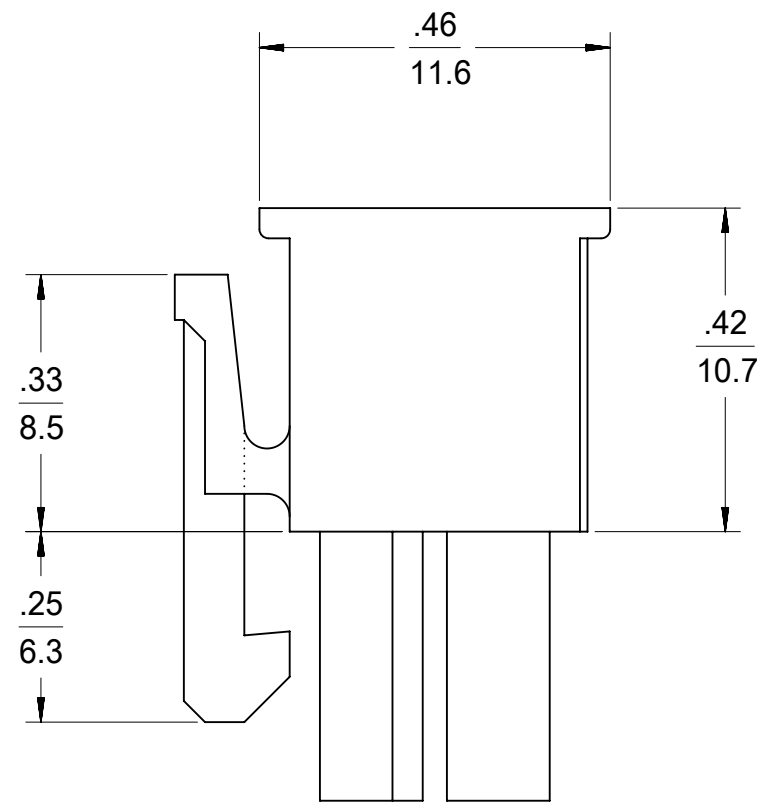
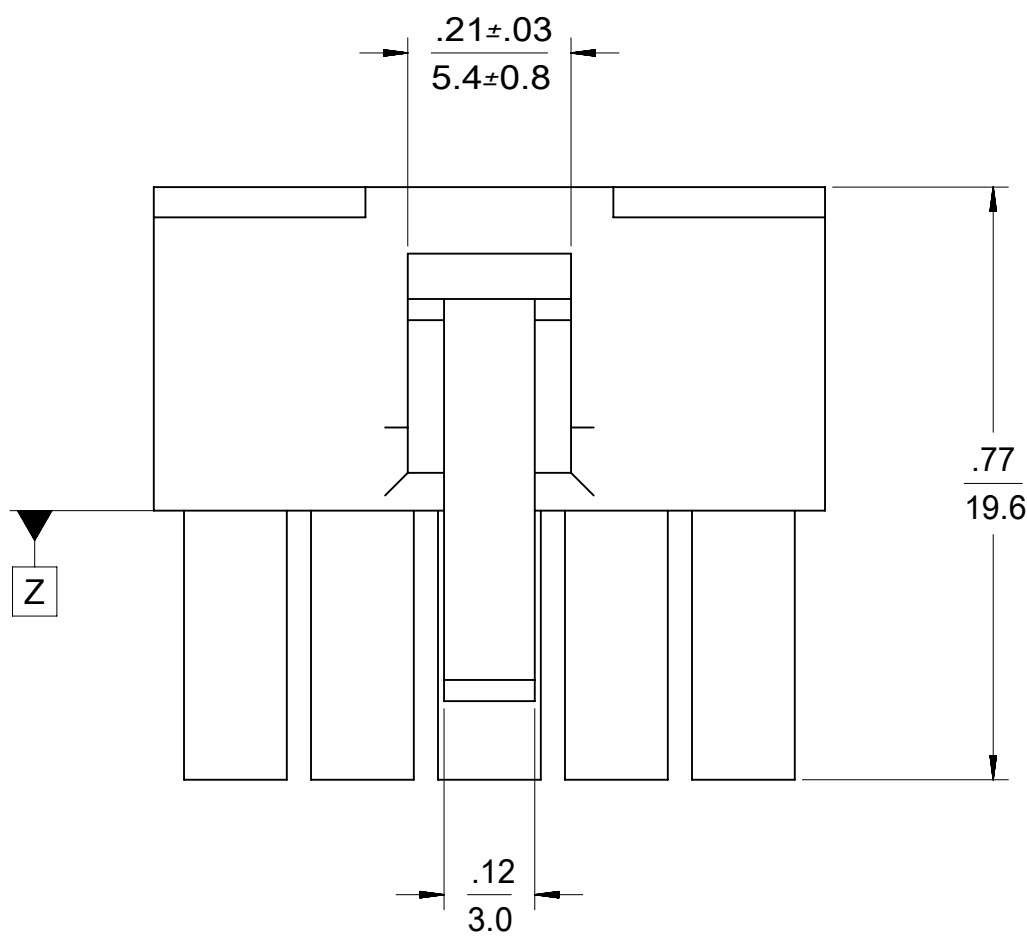
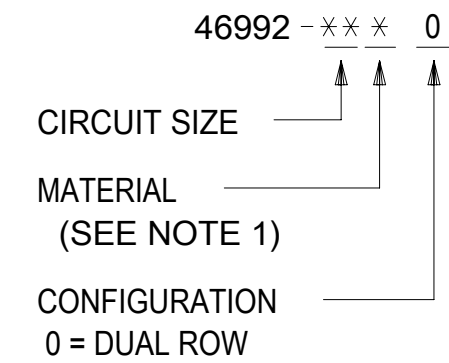


4 CKT SHOWN

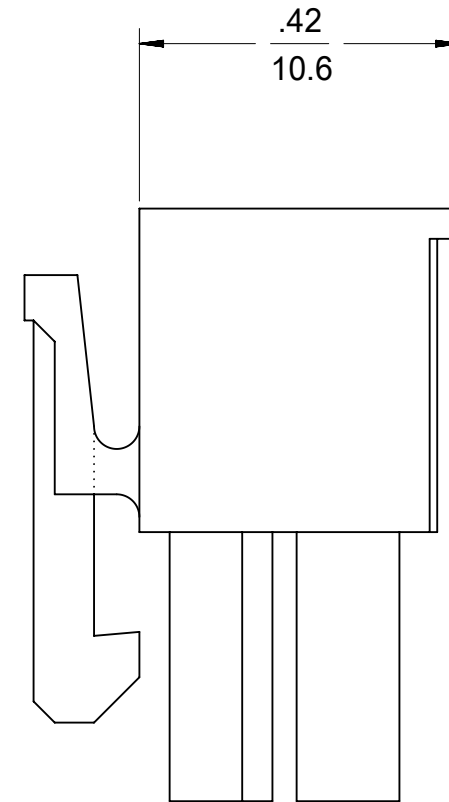
NOTES:

- 1) MATERIAL:
 "0" = NYLON, UNFILLED UL94V-2, COLOR: NATURAL (BEIGE), IEC 60335-1, 5th EDITION
 GLOW WIRE CAPABLE.
 "1" = NYLON, UNFILLED UL94V-2, COLOR: BLACK, IEC 60335-1, 5th EDITION
 GLOW WIRE CAPABLE.
- 2) FINISH: NOT APPLICABLE
- 3) PRODUCT SPECIFICATION: PS-5556-001
- 4) PACKAGING: BULK
- 5) PART MATES WITH MOLEX PLUG #46993 AND HEADERS #172447, #172448.
- 6) PART TO BE USED WITH MOLEX FEMALE TERMINAL #5556.
- 7) PART IS NOT DESIGNED FOR CURRENT SHARING.
- 8) CONNECTORS ARE NOT TO BE MATED OR UNMATED WHILE CIRCUITS ARE LIVE.
- 9) WIRES ARE TO BE DRESSED IN SUCH A MANNER TO ALLOW THE TERMINALS TO FLOAT FREELY IN THE POCKET.
- 10) PART CONFORMS TO CLASS "B" REQUIREMENTS OF COSMETIC SPECIFICATION PS-45499-002 WITH THE EXCEPTION OF DISCOLORATION, FLASH AND SINK MEET CLASS "C" REQUIREMENTS.
- 11) TO BE MEASURED AT SURFACE [Z]
- 12) TEXT ON PART IS FOR REFERENCE ONLY. TEXT AND TEXT LOCATION MAY VARY DEPENDING ON PART NUMBER AND/OR TOOL.

LEGEND



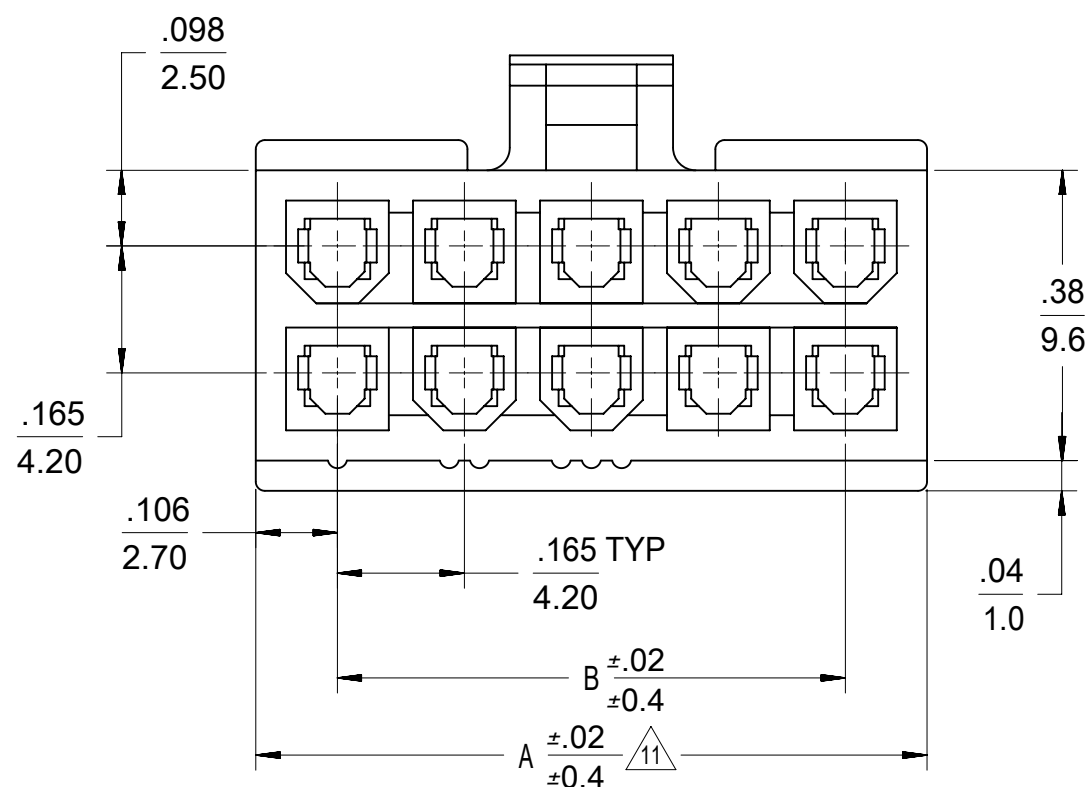
4-24 CKT



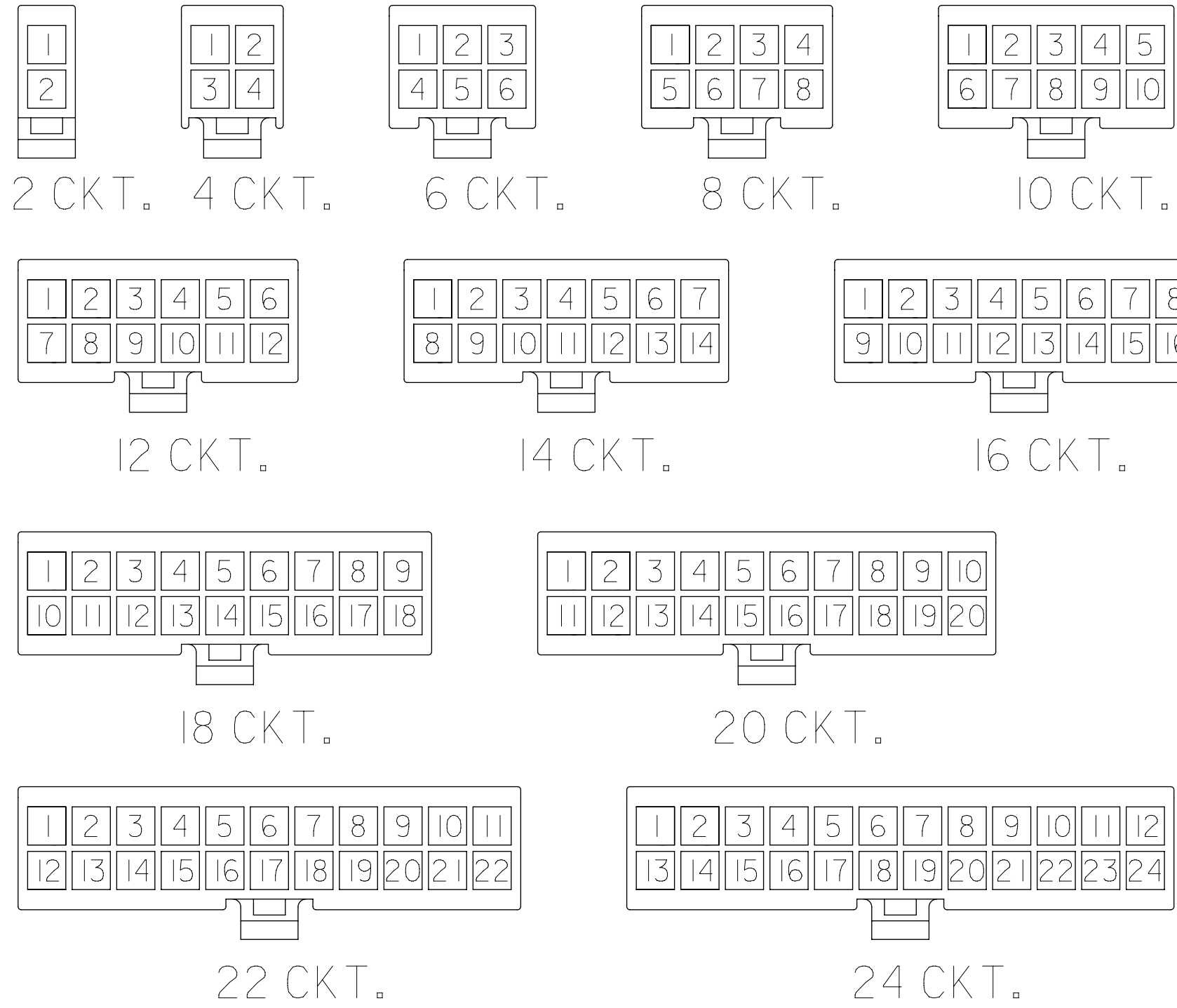
2 CKT ONLY

GLOW WIRE (BEIGE)		GLOW WIRE (BLACK)			
X	46992-2400		46992-2410	24	2.031/(51.60) 1.819/(46.20)
X	46999-2200	X	46999-2210	22	1.866/(47.40) 1.654/(42.00)
X	46992-2000	X	46992-2010	20	1.701/(43.20) 1.488/(37.80)
	46992-1800		46992-1810	18	1.535/(39.00) 1.323/(33.60)
	46992-1600		46992-1610	16	1.370/(34.80) 1.157/(29.40)
	46992-1400		46992-1410	14	1.205/(30.60) 0.992/(25.20)
	46992-1200		46992-1210	12	1.039/(26.40) 0.827/(21.00)
	46992-1000		46992-1010	10	0.874/(22.20) 0.661/(16.80)
	46992-0800		46992-0810	8	0.709/(18.00) 0.496/(12.60)
	46992-0600		46992-0610	6	0.543/(13.80) 0.331/(8.40)
	46992-0400		46992-0410	4	0.378/(9.60) 0.165/(4.20)
	46992-0200		46992-0210	2	0.213/(5.40) —+—
	EDP. NO.		EDP. NO.	NO. OF CKTS.	A B

X = NOT TOOLED



QUALITY SYMBOLS ▽ = 0 ▽ = 0 ▽ = 0 ▽ = 0 ▽ = 0 ▽ = 0 ▽ = 0 ▽ = 0 ▽ = 0 ▽ = 0 ▽ = 0 ▽ = 0 ▽ = 0	THIS DRAWING CONTAINS INFORMATION THAT IS PROPRIETARY TO MOLEX ELECTRONIC TECHNOLOGIES, LLC AND SHOULD NOT BE USED WITHOUT WRITTEN PERMISSION			DIMENSION UNITS IN/MM SCALE 4:1		<p>MINIFIT JR RECEPTACLE HOUSING DUAL ROW, 2-24 CKT</p>
	GENERAL TOLERANCES (UNLESS SPECIFIED)		DRWN BY NNGUYEN		DATE 2013/04/12	
	4 PLACES ± ± 3 PLACES ± ± 0.01 2 PLACES ± 0.25 ± 0.015 1 PLACES ± 0.38 ± 0 PLACES ± ±		CHK'D BY JBELL		DATE 2013/04/12	
	ANGULAR TOL = 3.0		APPR BY FSMITH		DATE 2014/05/16	
	DRAFT WHERE APPLICABLE MUST REMAIN WITHIN DIMENSIONS		DRAWING SIZE C		THIRD ANGLE PROJECTION	
EC NO: 114194 DRWN: BAPPELDORN CHKD: JBELL REV / APPR: FSMITH			PRODUCT CUSTOMER DRAWING			
ADD NOTE 12		SERIES 46992		MATERIAL NUMBER SEE CHART		
A5		CUSTOMER GENERAL MARKET		DOCUMENT NUMBER SD-46992-0000		
RELEASE STATUS		RELEASE DATE		DOC TYPE PSD		
12		11		DOC PART 000		
10		9		SHEET NUMBER 1 OF 2		



CIRCUIT SIZE LAYOUT
(NOT TO SCALE)

QUALITY SYMBOLS 	THIS DRAWING CONTAINS INFORMATION THAT IS PROPRIETARY TO MOLEX ELECTRONIC TECHNOLOGIES, LLC AND SHOULD NOT BE USED WITHOUT WRITTEN PERMISSION										
	ADD NOTE 12 EC NO: 114194 DRWN: BAPPELDORN CHKD: JBELL REV / APPR: FSMITH	2017/03/06 2017/03/06 2017/03/07		GENERAL TOLERANCES (UNLESS SPECIFIED) IN/MM SCALE 1:1		molex®					
		4 PLACES ± ± 3 PLACES ± ± 0.01 2 PLACES ± 0.25 ± 0.015 1 PLACES ± 0.38 ± 0 PLACES ± ±		DRWN BY: NNGUYEN DATE: 2013/04/12 CHK'D BY: JBELL DATE: 2013/04/12 APPR BY: FSMITH DATE: 2014/05/16		MINIFIT JR RECEPTACLE HOUSING DUAL ROW, 2-24 CKT					
	ANGULAR TOL = 3.0 DRAFT WHERE APPLICABLE MUST REMAIN WITHIN DIMENSIONS		DRAWING SIZE: C THIRD ANGLE PROJECTION		PRODUCT CUSTOMER DRAWING						
	SERIES: 46992 MATERIAL NUMBER: SEE CHART CUSTOMER: GENERAL MARKET		DOCUMENT NUMBER: SD-46992-0000 DOC TYPE: PSD DOC PART: 000 SHEET NUMBER: 2 OF 2								
	RELEASE STATUS: RELEASE DATE:		A5								
	12 11 10 9 8 7 6 5 4 3 2 1		12 11 10 9 8 7 6 5 4 3 2 1								
	12 11 10 9 8 7 6 5 4 3 2 1		12 11 10 9 8 7 6 5 4 3 2 1								
	12 11 10 9 8 7 6 5 4 3 2 1		12 11 10 9 8 7 6 5 4 3 2 1								
	12 11 10 9 8 7 6 5 4 3 2 1		12 11 10 9 8 7 6 5 4 3 2 1								