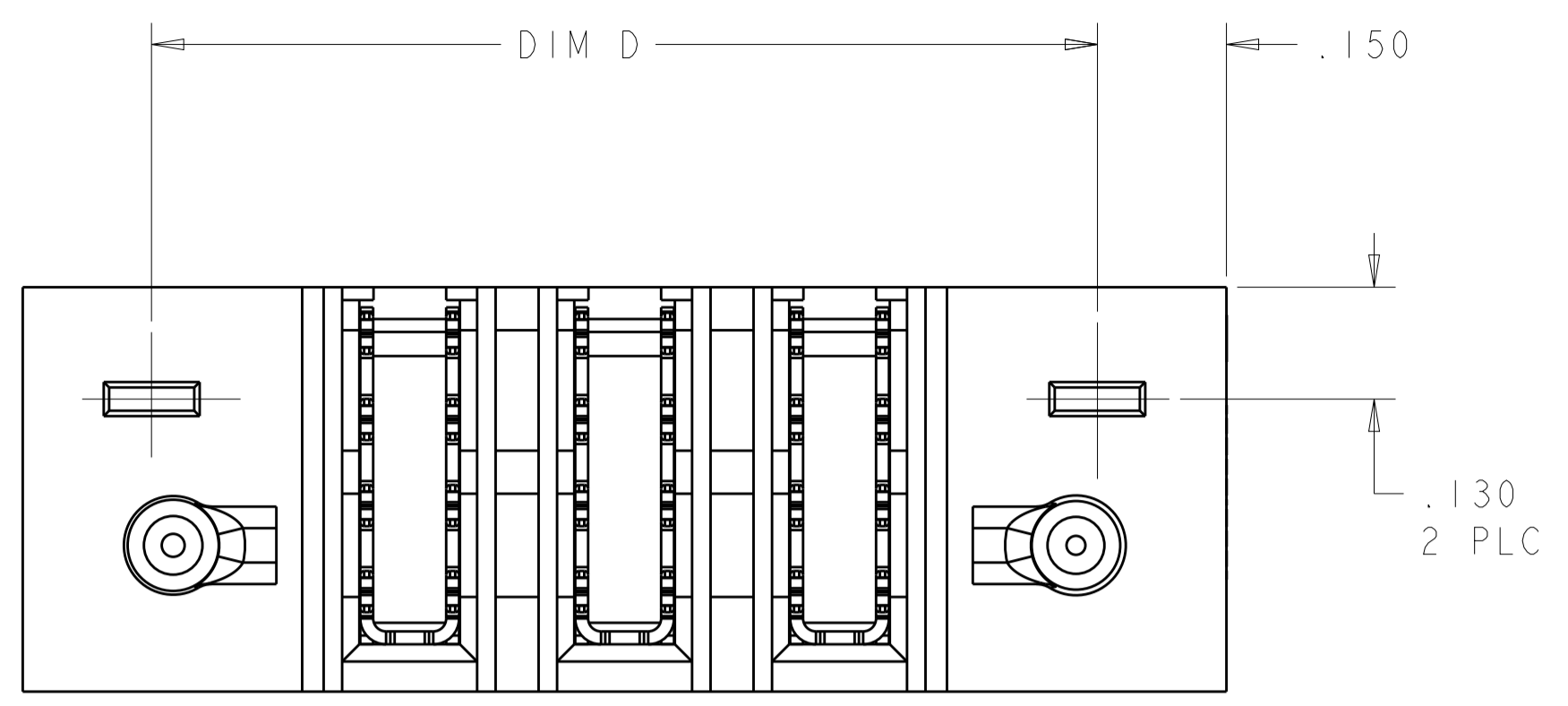
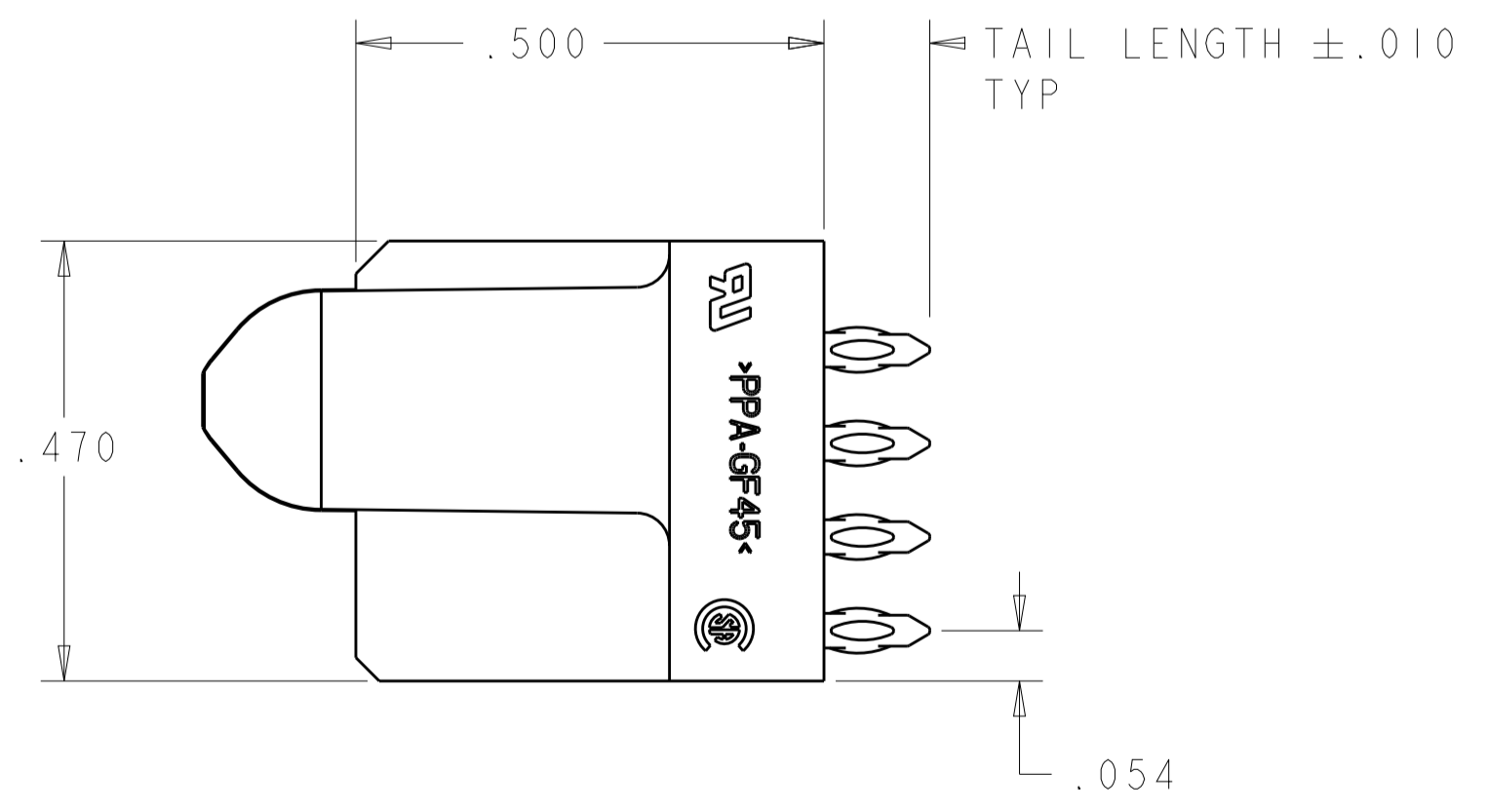
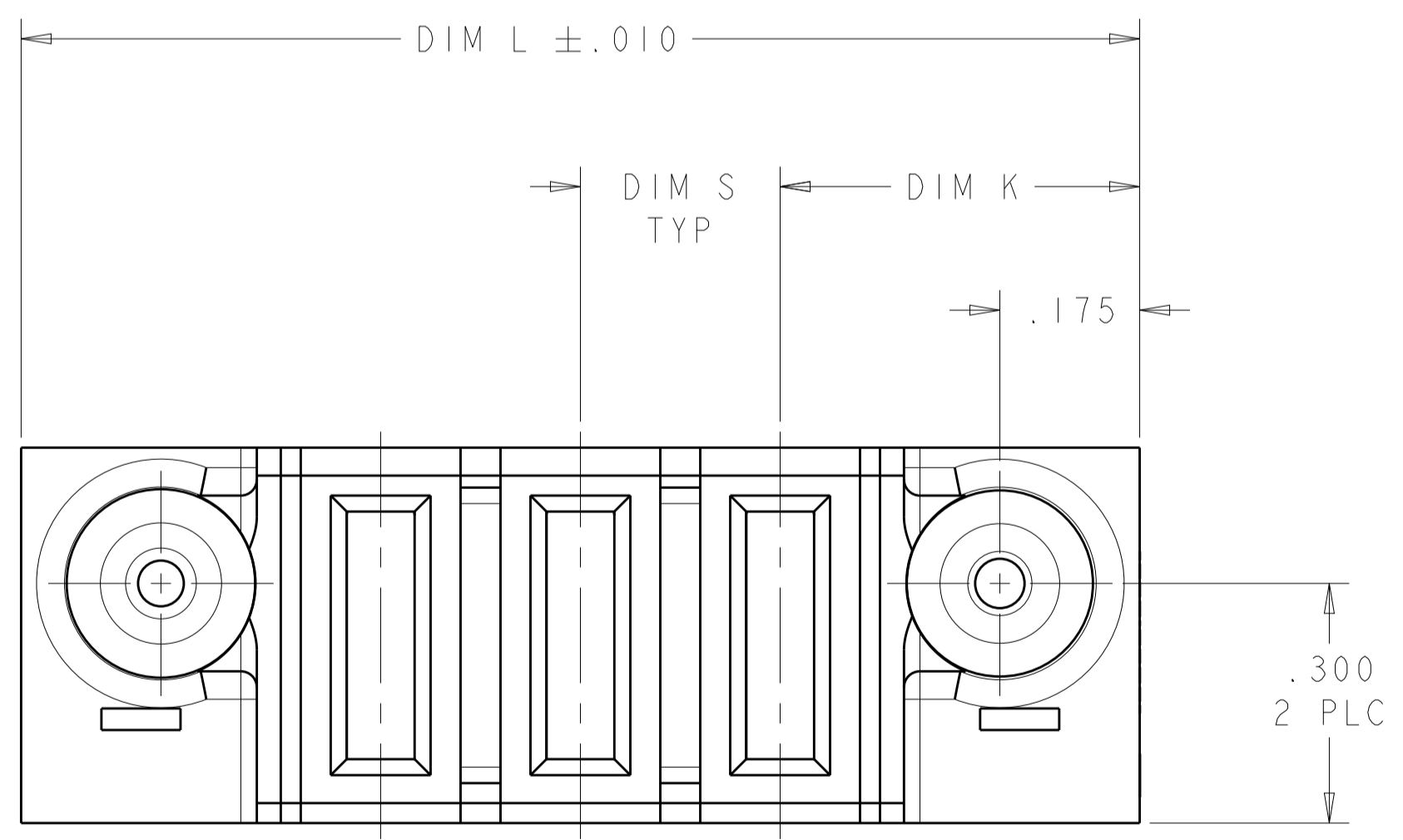
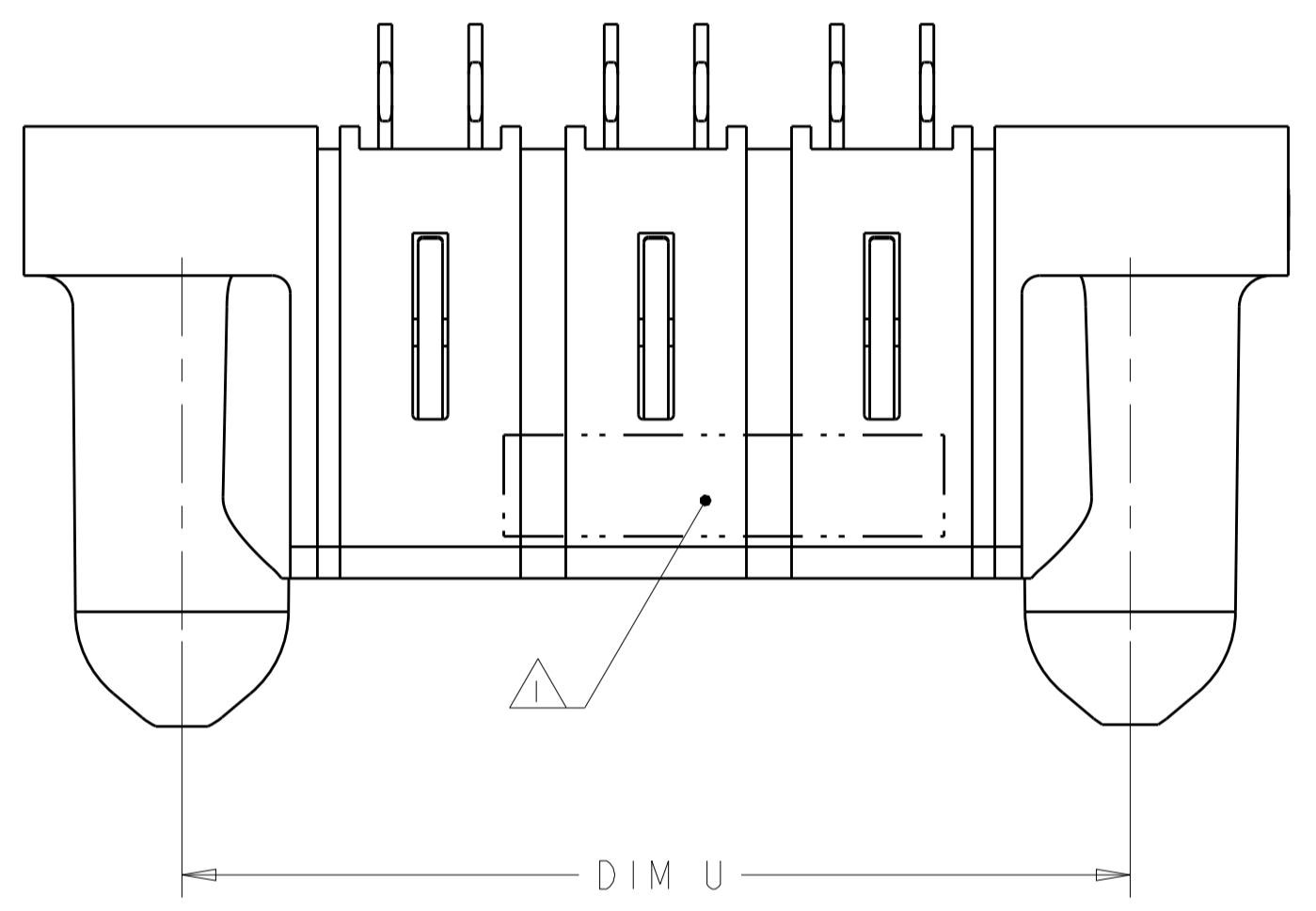


LOC	DIST	REVISIONS			
P	LTH	DESCRIPTION	DATE	DWN	APVD
C5		ADD 1-6450543-3	07MAR2012	OL	SZ



- 1 "AMP", PART NUMBER AND DATE CODE TO BE MARKED IN AREA SHOWN
PARTS 2.00 OR LESS MAYBE MARKED ON BOTH SIDES
- 2 MATERIAL: HOUSING - GLASS FILLED HIGH TEMP THERMO PLASTIC, UL94 V-0
POWER CONTACT - HIGH CONDUCTIVITY COPPER ALLOY
- 3 CONTACT PLATING: NOBLE METAL PLATING ON CONTACT FUNCTIONAL AREA OF POWER AND SIGNAL CONTACTS
- 4 MECHANICAL CONNECTOR KEEP OUT ZONE
- 5 DATUM AND BASIC DIMENSIONS ESTABLISHED BY CUSTOMER
- 6 PCB - ALL HOLE DIMENSIONS ARE FINISHED HOLE SIZES
- 7 PCB - .0453 ±.0010 DRILLED HOLES, PLATED WITH .0003 MIN Sn OVER
.001 TO .003 Cu PLATING TO ACHIEVE A .040 DIA HOLE
- 8 FOR DETAIL DIMENSION, PLEASE REFER TO TALBE.



DIM U	DIM D	DIM S	DIM L	DIM K	DESCRIPTION	PART NUMBER
2.300	2.350	.250	2.650	.450	3P	1-6450543-3
1.200	-	.300	1.550	.475	3ACP	1-6450543-2
5.550	5.600	.200	5.900	.450	26P	1-6450543-1
1.800	1.850	.250	2.150	.450	6P	1-6450543-0
1.800	1.850	.250	2.150	.450	6P	6450543-9
2.550	2.600	.250	2.900	.450	9P	6450543-8
2.150	2.200	.200	2.500	.450	9HDP	6450543-7
1.200	1.250	.300	1.550	.475	3ACP	6450543-6
1.300	1.350	.250	1.650	.450	4P	6450543-5
.800	-	.250	1.150	.450	2P	6450543-4
2.050	-	.250	2.400	.450	7P	6450543-3
1.300	-	.250	1.650	.450	4P	6450543-2
1.050	-	.250	1.400	.450	3P	6450543-1

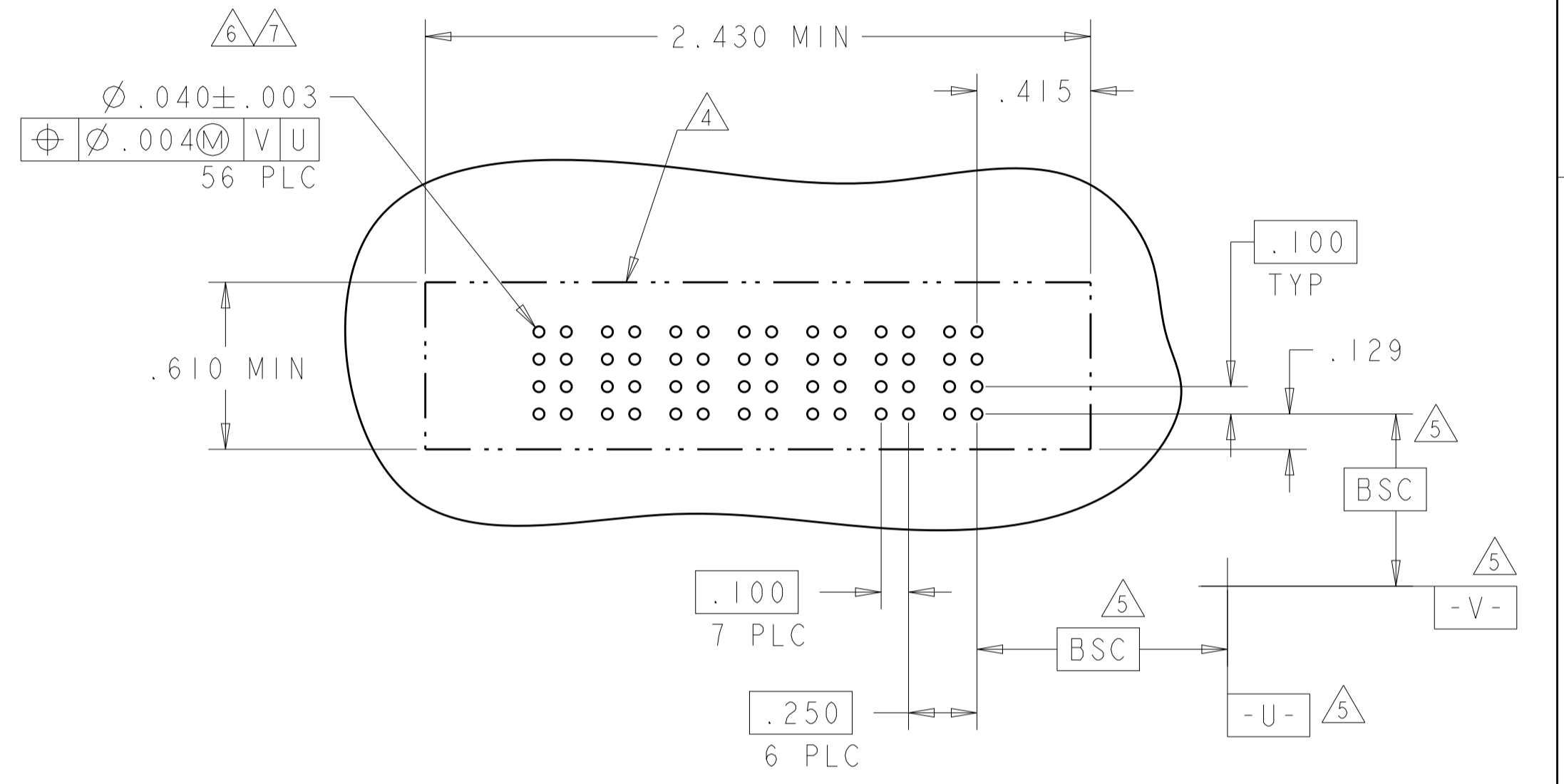
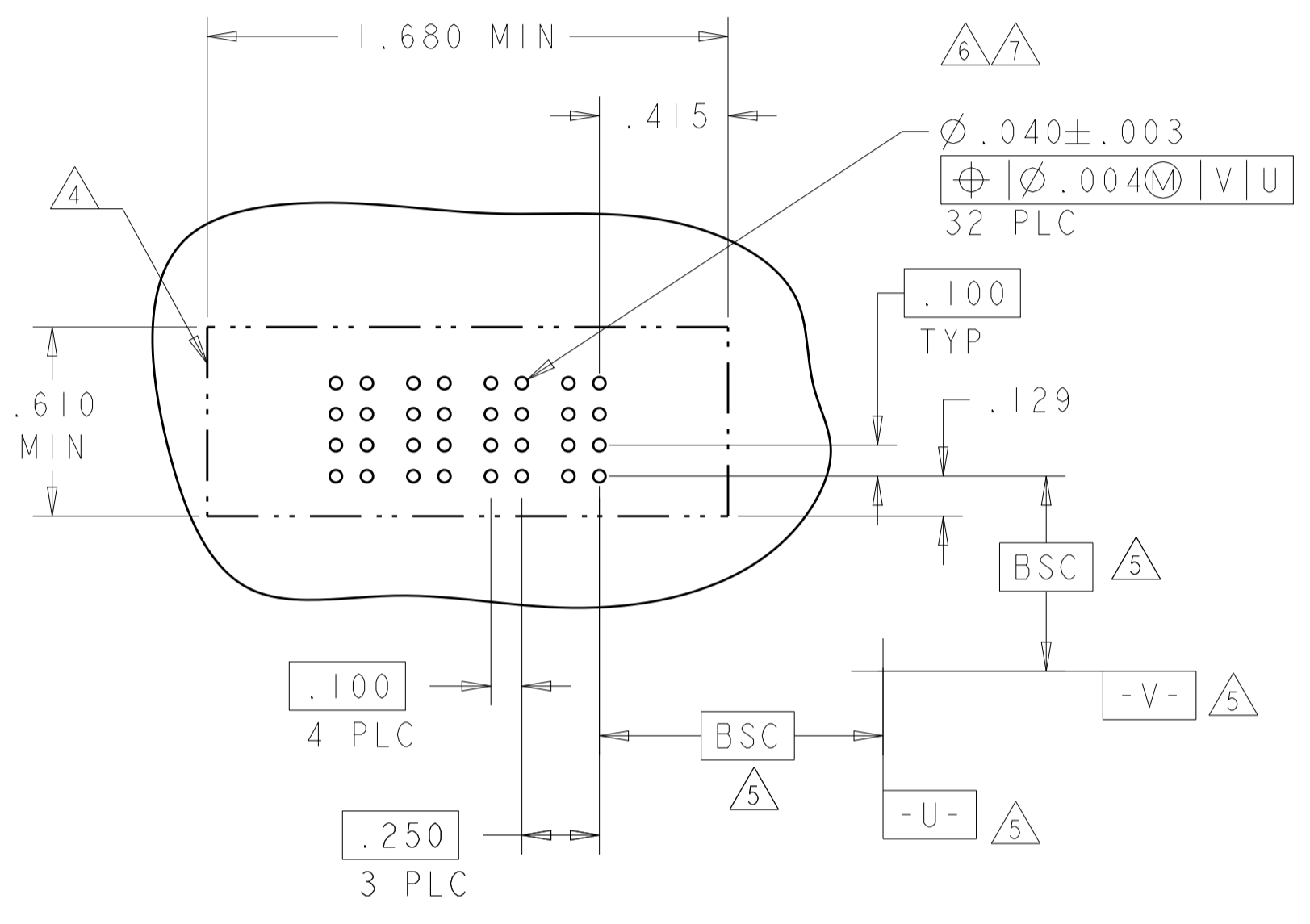
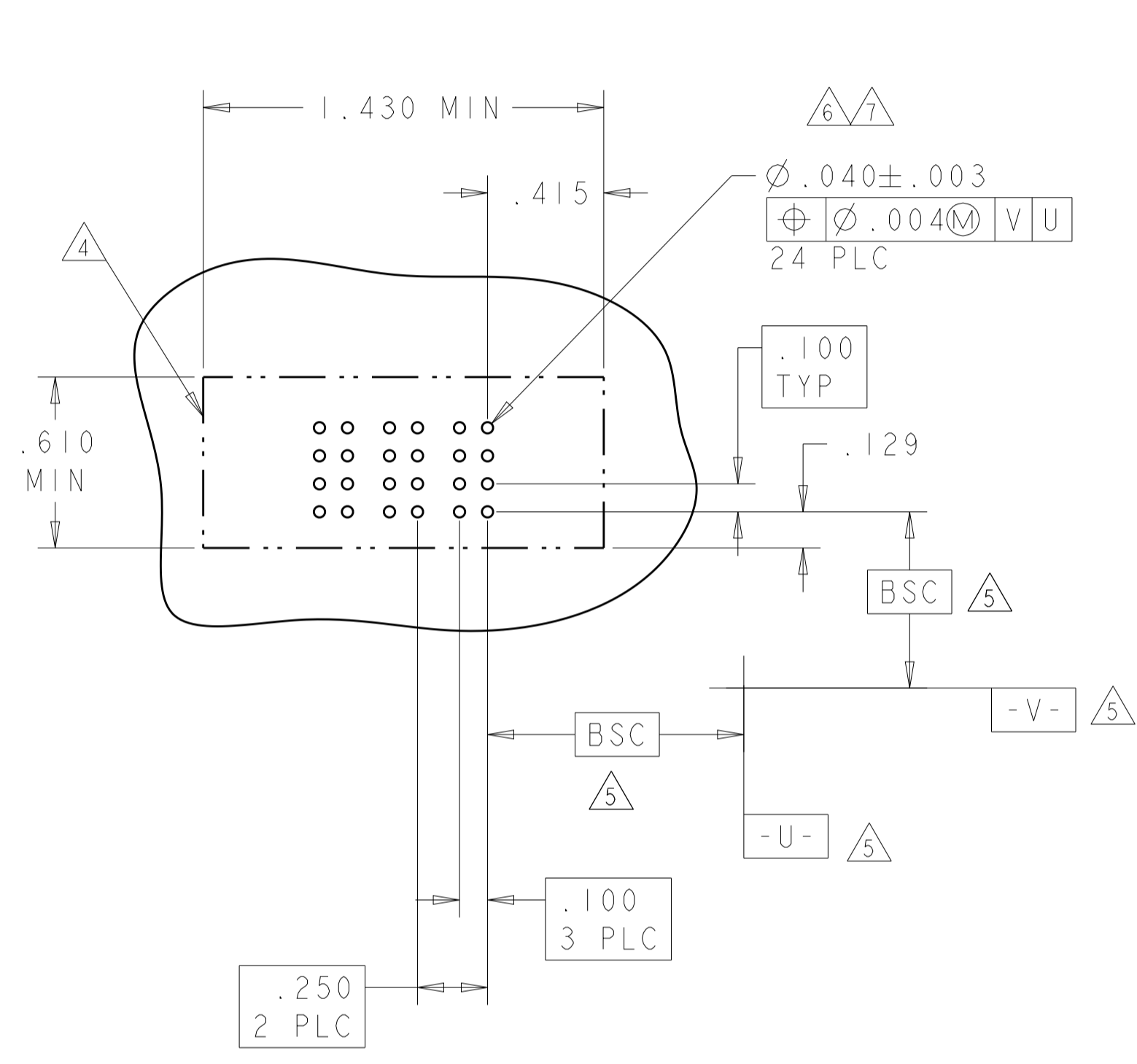
DIMENSIONS: INCHES TOLERANCES UNLESS OTHERWISE SPECIFIED: 0 PLC ±.01 1 PLC ±.01 2 PLC ±.01 3 PLC ±.005 4 PLC ±.0020 ANGLES ±.020 FINISH: 2, 3		DWN: R. GRZYBOWSKI 17MAY05 CHK: M. PERCHERKE 17MAY05 APVD: M. PERCHERKE PRODUCT SPEC: 108-1973 APPLICATION SPEC: 114-13038 WEIGHT: - CUSTOMER DRAWING	Tyco Electronics Corporation Harrisburg, PA 17105-3608 NAME: VERTICAL RECEPTACLE ASSEMBLY WITH GUIDES MULTI-BEAM XL SIZE: A1 CAGE CODE: 00779 DRAWING NO: 6450543 SCALE: 1:1 SHEET: 1 OF 5 REV: C5
---	--	---	--

LOC	DIST	REVISIONS			
P	LTN	DESCRIPTION	DATE	DMN	APVD
GP	00	SEE SHEET 1	-	-	-

PART NUMBER	ROWS	POWER			
		P3	P2	P1	
6450543-1	D C B A	GP	GP	GP	
3P					

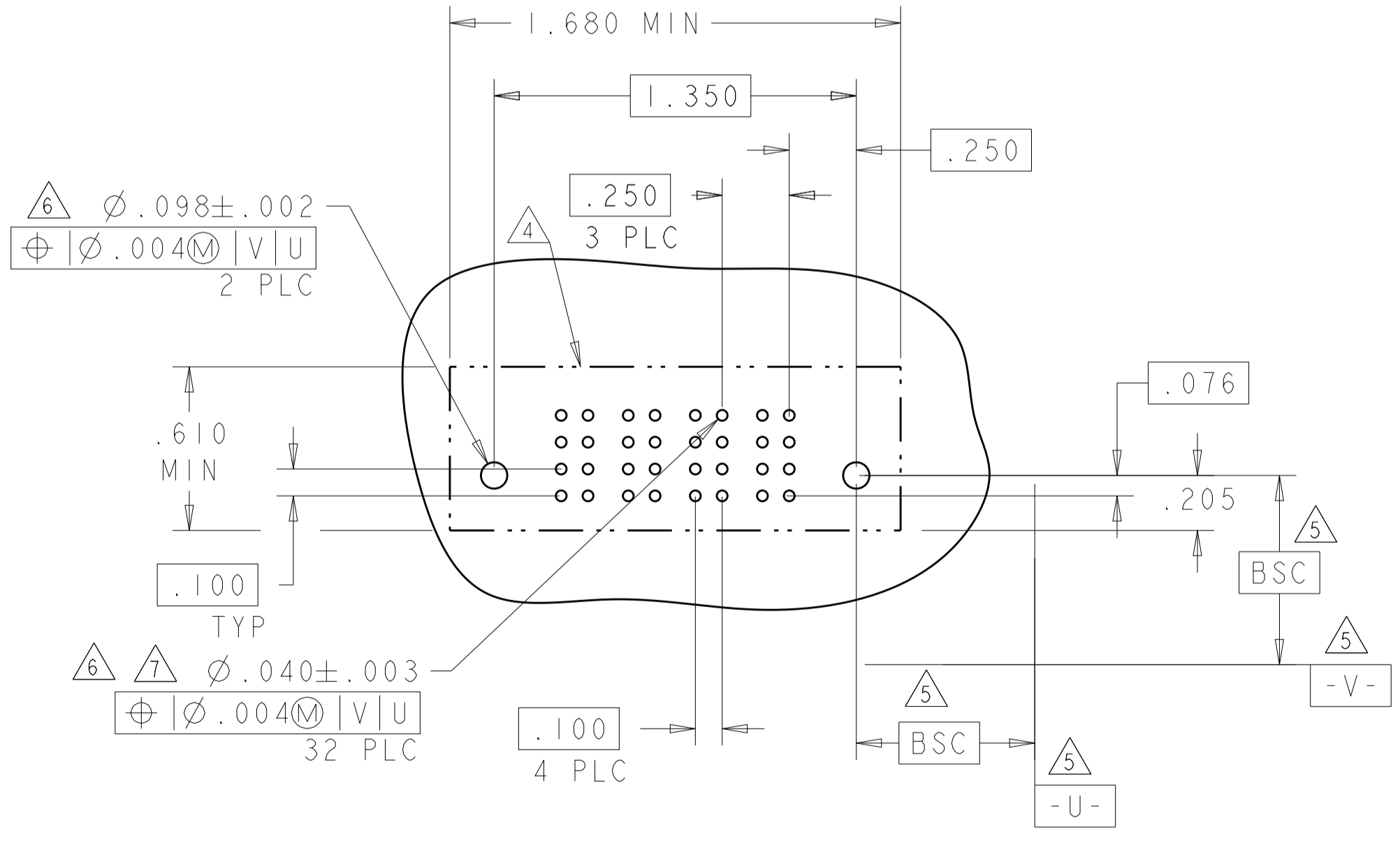
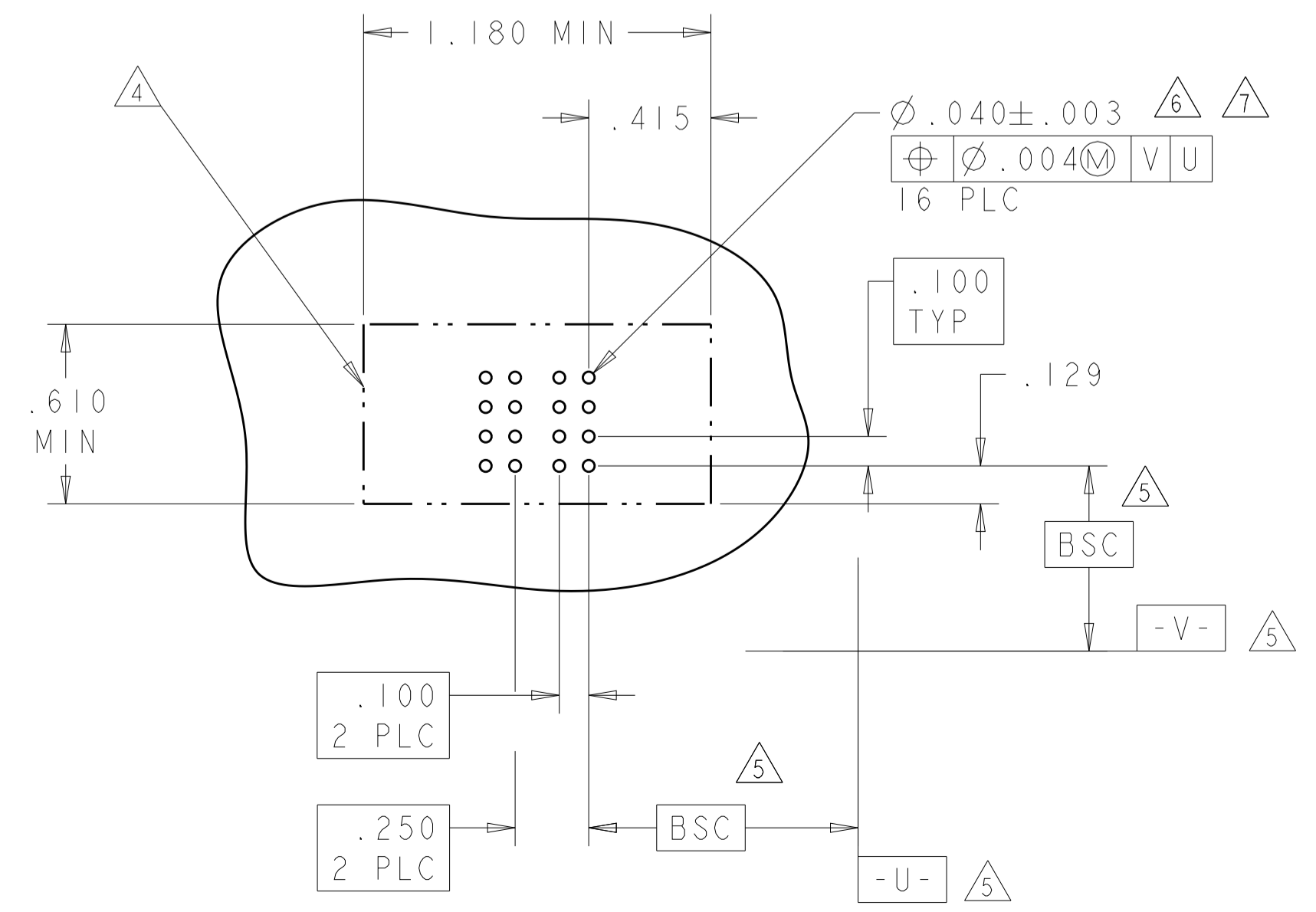
PART NUMBER	ROWS	POWER			
		P4	P3	P2	P1
6450543-2	D C B A	GP	GP	GP	GP
4P					

PART NUMBER	ROWS	POWER						
		P7	P6	P5	P4	P3	P2	P1
6450543-3	D C B A	GP	GP	GP	GP	GP	GP	GP
7P								



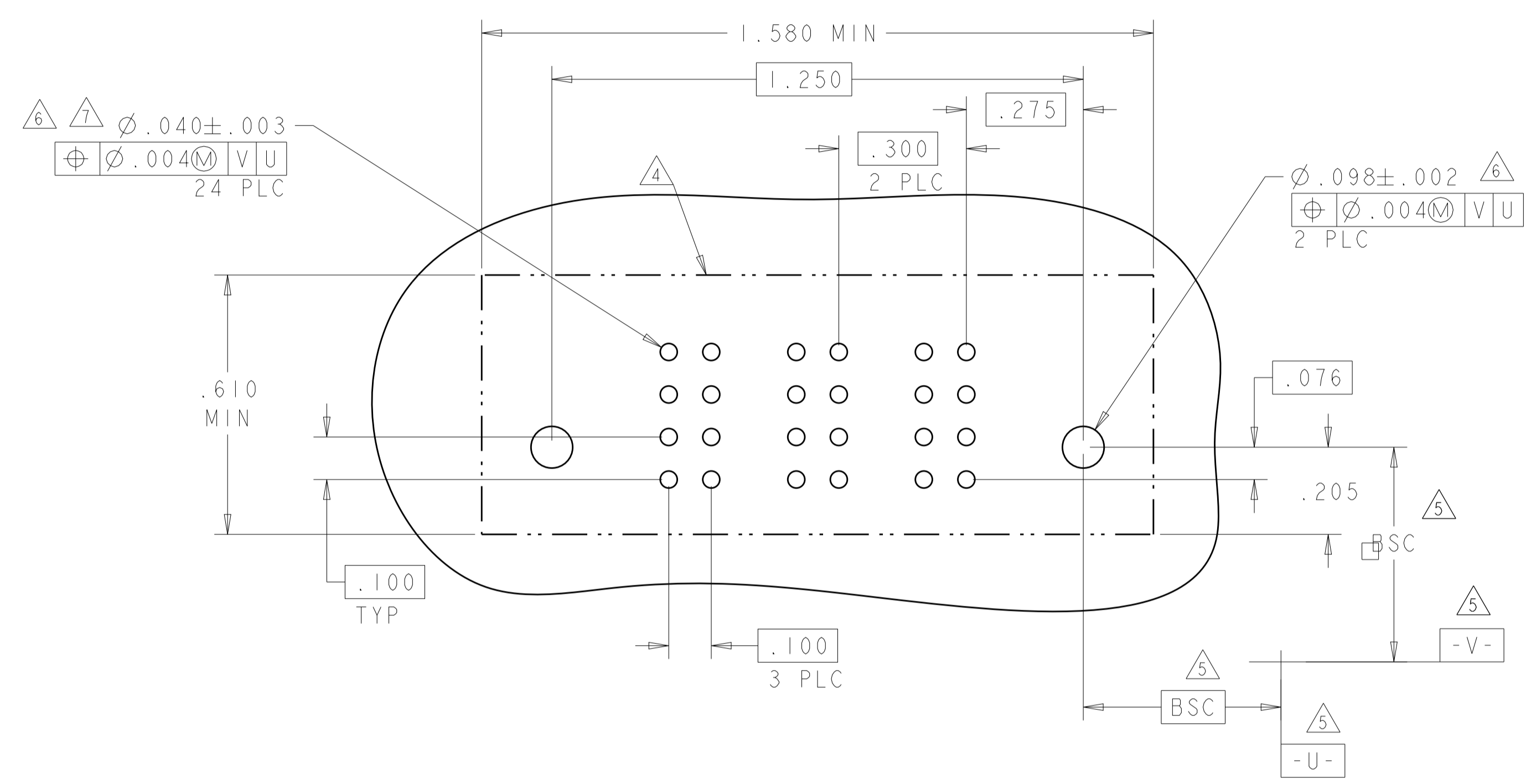
PART NUMBER	ROWS	POWER	
		P2	P1
6450543-4	D C B A	GP	GP
2P			

PART NUMBER	ROWS	POWER			
		P4	P3	P2	P1
6450543-5	D C B A	GP	GP	GP	GP
		HD			HD
4P					

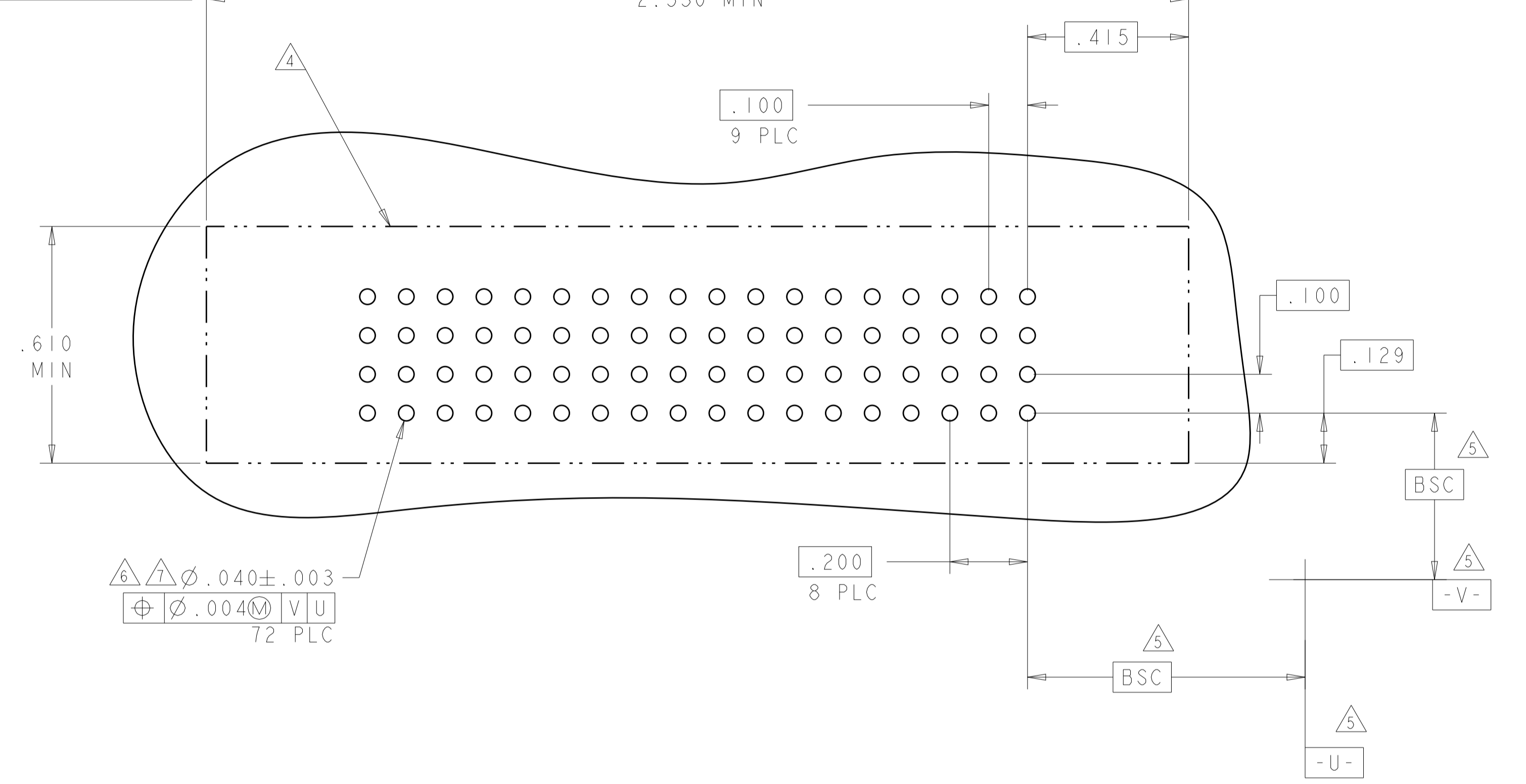


DIMENSIONS: INCHES 		TOLERANCES UNLESS OTHERWISE SPECIFIED: 0 PLC ±. 1 PLC ±.01 2 PLC ±.01 3 PLC ±.005 4 PLC ±.002 ANGLES ±.020		DWN R. GRZYBOWSKI 17MAY05 CHK M. PERCHERKE 17MAY05 APVD M. PERCHERKE PRODUCT SPEC 108-1973 APPLICATION SPEC 114-13038 WEIGHT CUSTOMER DRAWING		Tyco Electronics Corporation Harrisburg, PA 17105-3608 NAME VERTICAL RECEPTACLE ASSEMBLY WITH GUIDES MULTI-BEAM XL SIZE CAGE CODE DRAWING NO A1 00779 ©=6450543 RESTRICTED TO	
SCALE 1:1		SHEET 2 OF 5		REV C5			

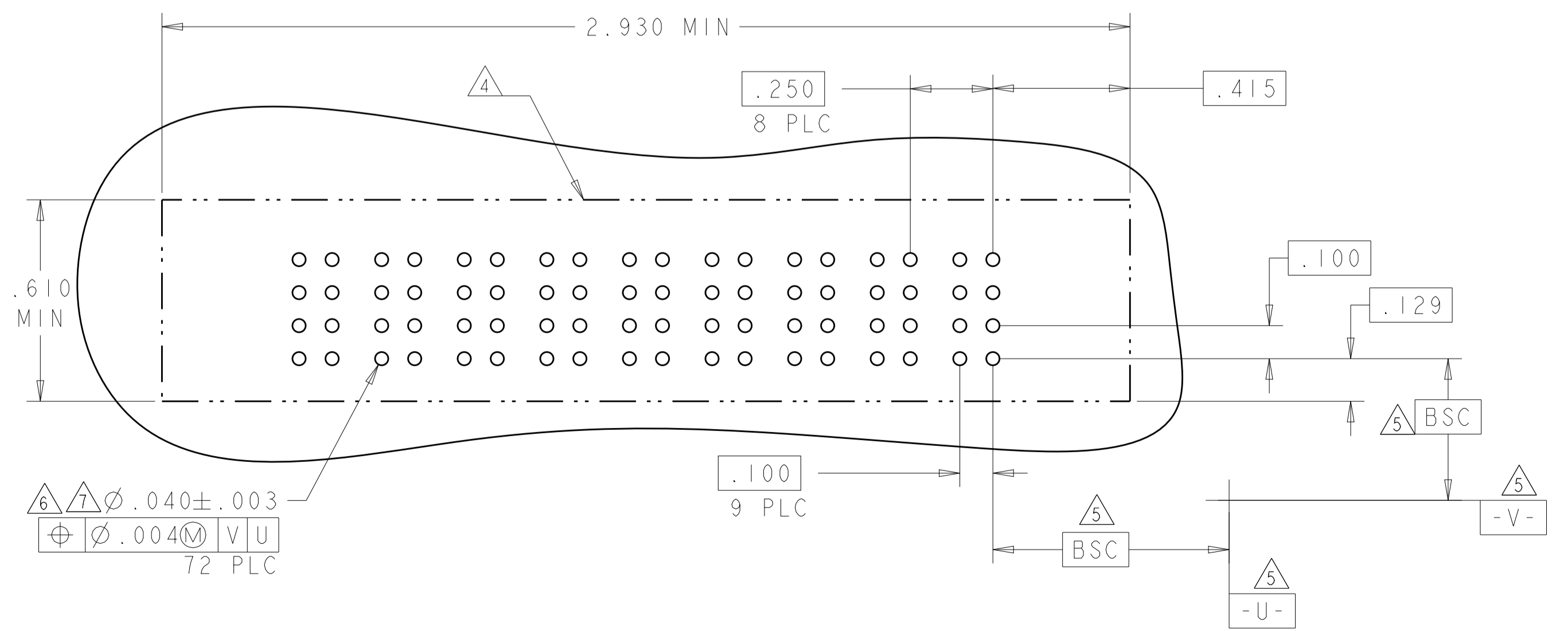
PART NUMBER	ROWS	POWER		
		P3	P2	P1
6450543-6	DCBA	GS	GS	GS
3ACP		HD		HD



PART NUMBER	ROWS	POWER								
		P9	P8	P7	P6	P5	P4	P3	P2	P1
6450543-7	DCBA	HS	HS	HS	HS	HS	HS	HS	HS	HS
9HDP										

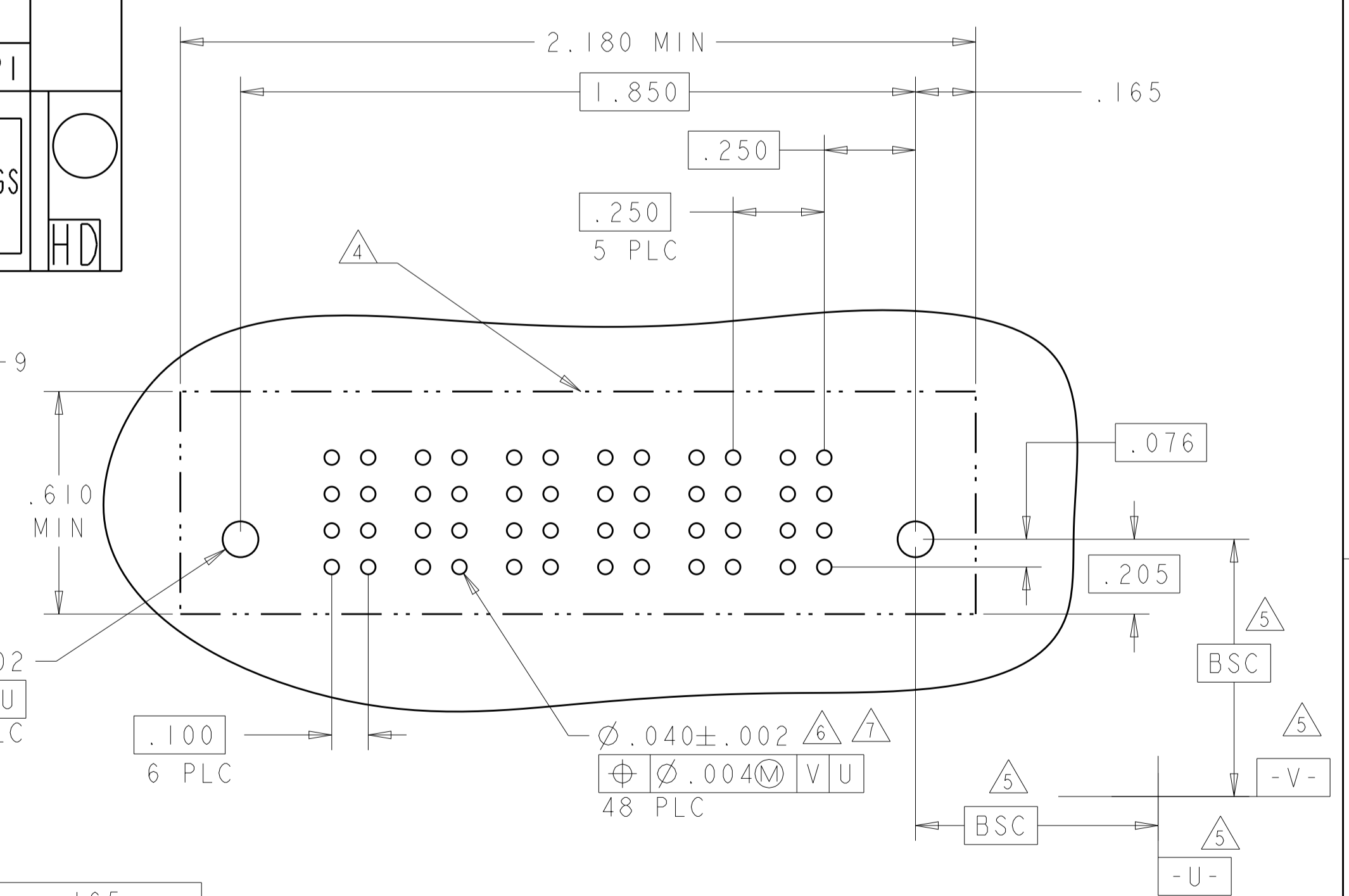


PART NUMBER	ROWS	POWER								
		P9	P8	P7	P6	P5	P4	P3	P2	P1
6450543-8	DCBA	GS	GS	GS	GS	GS	GS	GS	GS	GS
9P										



PART NUMBER	ROWS	POWER					
		P6	P5	P4	P3	P2	P1
6450543-9	DCBA	GS	GS	GS	GS	GS	GS
6P		HD					HD

THE PCB LAYOUT IS FOR P/N 6450543-9
ADN 6450543-10.



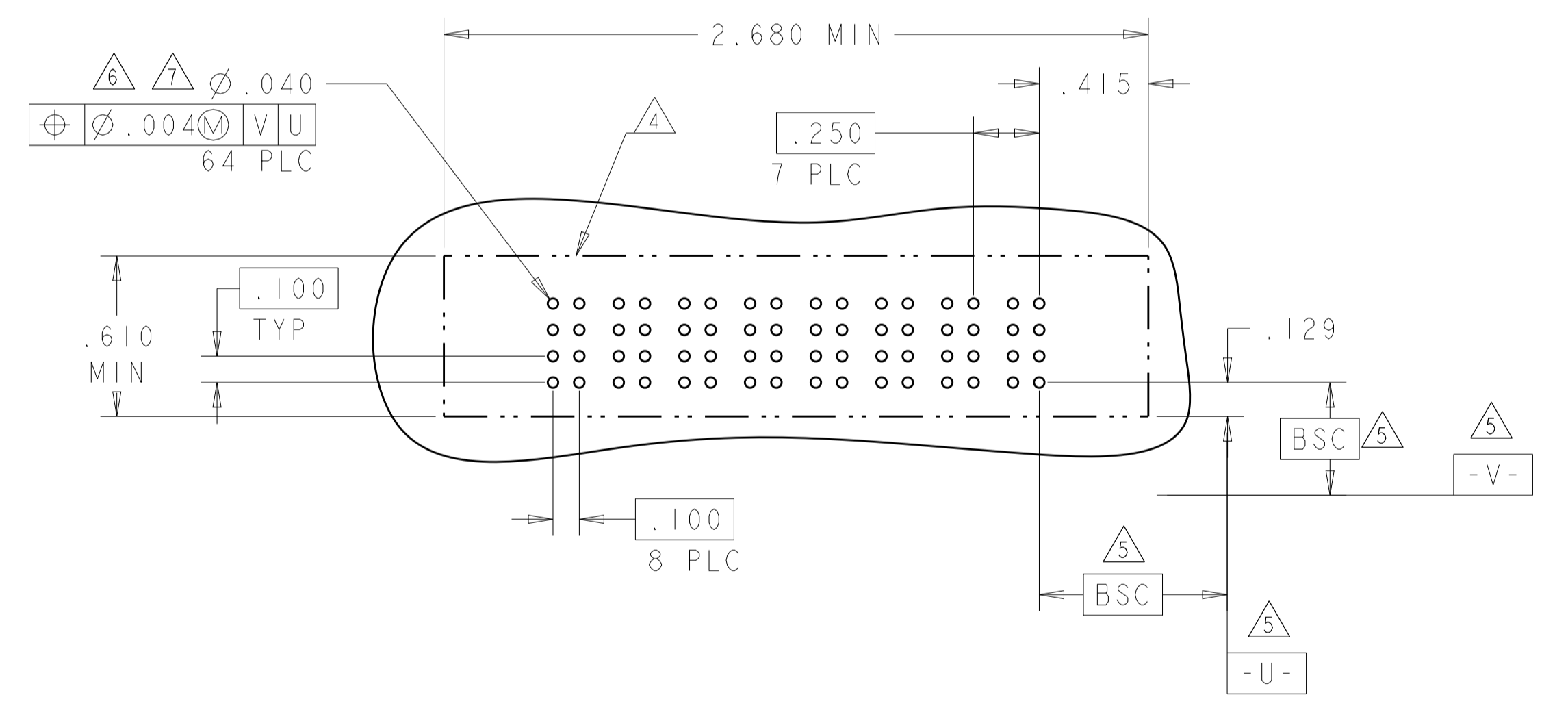
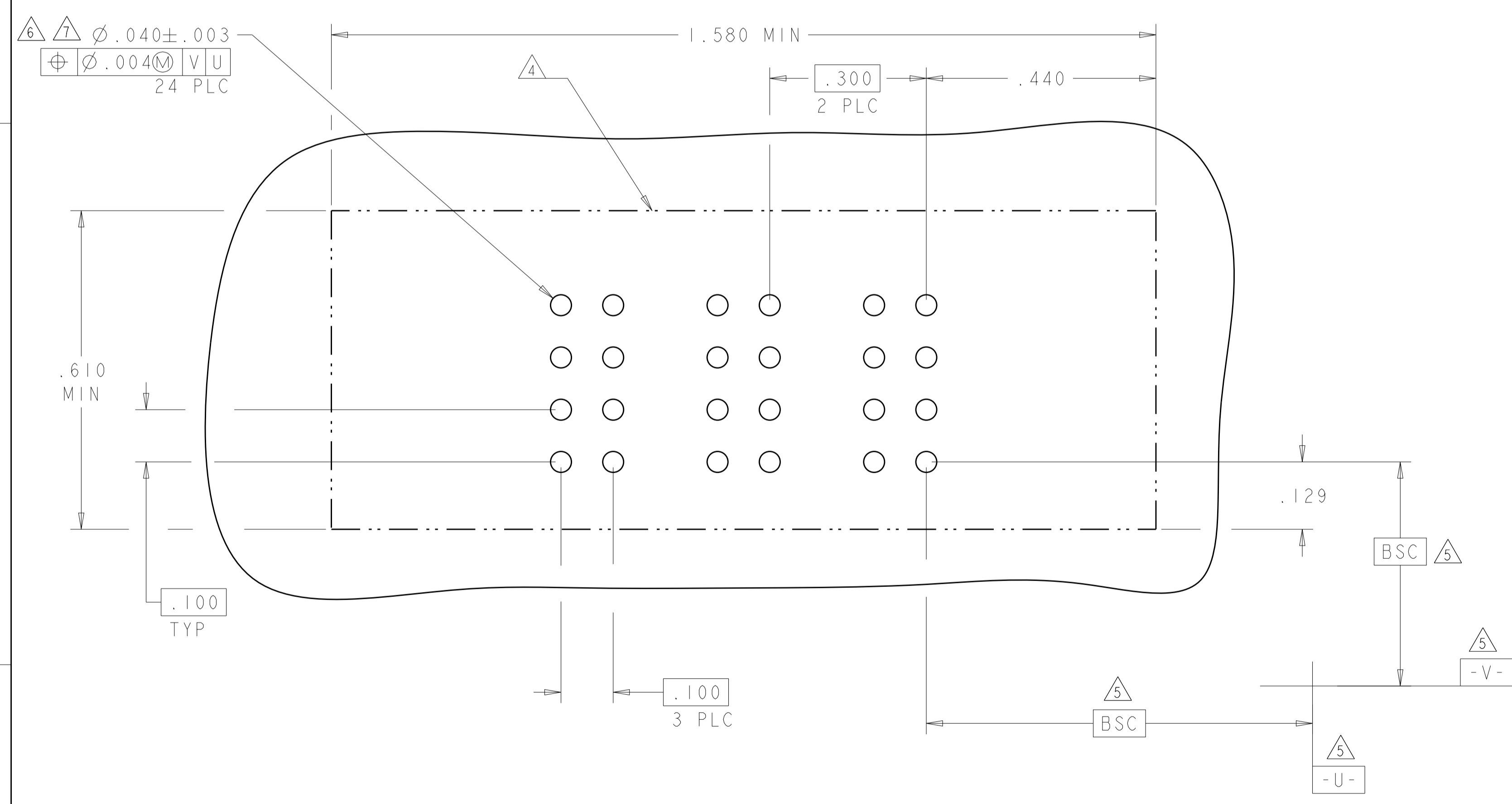
CODE	PRESS FIT	TAIL LENGTH	POWER CONTACT
HS	STD	.165	
GS	STD	.135	
GP	MFBL	.135	
VS	STD	.115	
VP	MFBL	.115	

DIMENSIONS: INCHES		TOLERANCES UNLESS OTHERWISE SPECIFIED:		DWN R. GRZYBOWSKI 17MAY05		Tyco Electronics Corporation Harrisburg, PA 17105-3608	
0 PLC	±.01	1 PLC	±.01	CHK M. PERCHERKE 17MAY05	NAME		
2 PLC	±.01	3 PLC	±.005	APVD M. PERCHERKE	PRODUCT SPEC		
4 PLC	±.002	5 PLC	±.002	PRODUCT SPEC	108-1973		
ANGLES	±.002	FINISH		APPLICATION SPEC	114-13038		
MATERIAL		FINISH		WEIGHT	RESTRICTED TO		
				SCALE	REV C5		

LOC	DIST	REVISIONS			
P	LTN	DESCRIPTION	DATE	DWN	APVD
-	-	SEE SHEET 1	-	-	-

PART NUMBER	ROWS	POWER		
		P3	P2	P1
1-6450543-2	D C B A	GS	GS	GS
3ACP				

PART NUMBER	ROWS	POWER							
		P8	P7	P6	P5	P4	P3	P2	P1
1-6450543-3	D C B A	GS	GS	GS	GS	GS	GS	GS	GS
8P									



<small>THIS DRAWING IS UNPUBLISHED. RELEASED FOR PUBLICATION. IT IS THE POLICY OF TYCO ELECTRONICS CORPORATION TO CONTINUE TO IMPROVE ITS PRODUCTS. THEREFORE, THIS DRAWING IS SUBJECT TO CHANGE WITHOUT NOTICE AND WITHOUT OBLIGATION TO NOTIFY OR ASSIST OTHERS IN THEIR PURCHASING OR USING SUCH PRODUCTS. THIS DRAWING IS UNPUBLISHED. RELEASED FOR PUBLICATION.</small>		DWN: R. GRZYBOWSKI 17MAY05 CHK: M. PERCHERKE 17MAY05 APVD: M. PERCHERKE	Tyco Electronics Corporation Harrisburg, PA 17105-3608
DIMENSIONS: INCHES	TOLERANCES UNLESS OTHERWISE SPECIFIED: 0 PLC ±. 1 PLC ±.01 2 PLC ±.01 3 PLC ±.005 4 PLC ±.0020 ANGLES ±.020	NAME: VERTICAL RECEPTACLE ASSEMBLY WITH GUIDES MULTI-BEAM XL PRODUCT SPEC: 108-1973 APPLICATION SPEC: 114-13038 WEIGHT: - MATERIAL: - FINISH: -	SIZE: A CAGE CODE: 00779 DRAWING NO: 6450543 SCALE: 1:1 SHEET: 5 OF 5 REV: C5
MATERIAL: - FINISH: -		CUSTOMER DRAWING	RESTRICTED TO: -