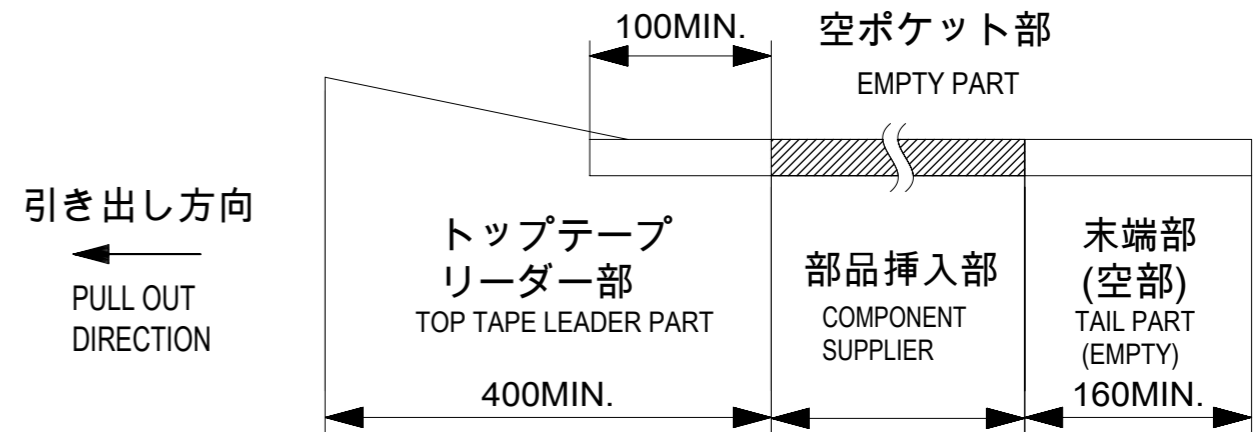


NOTES

- 梱包数量 : 3000個 / リール
NUMBER OF CONNECTORS : 3000 PCS/REEL.
- リードテープ長さ
LEAD TAPE LENGTH



- カバーテープの剥離強度については、IEC60286-3に準拠。
COVER TAPE PEEL FORCE IS DEFINED BY IEC 60286-3.

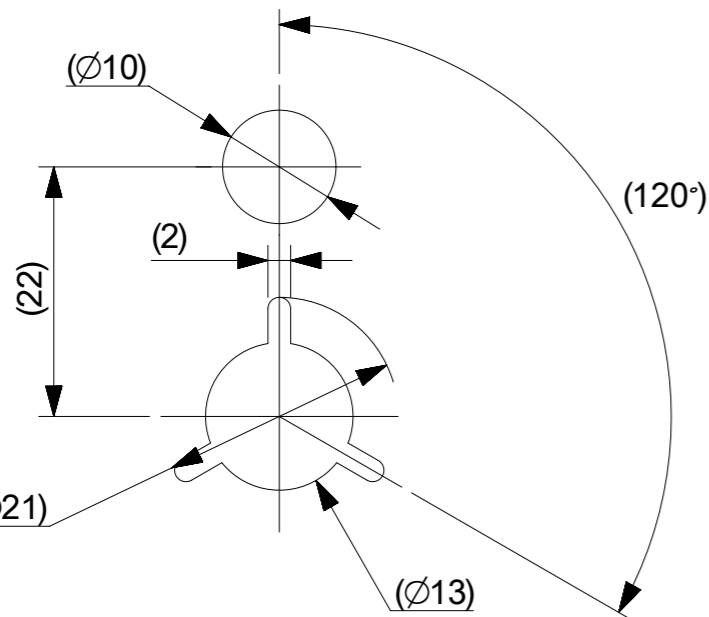
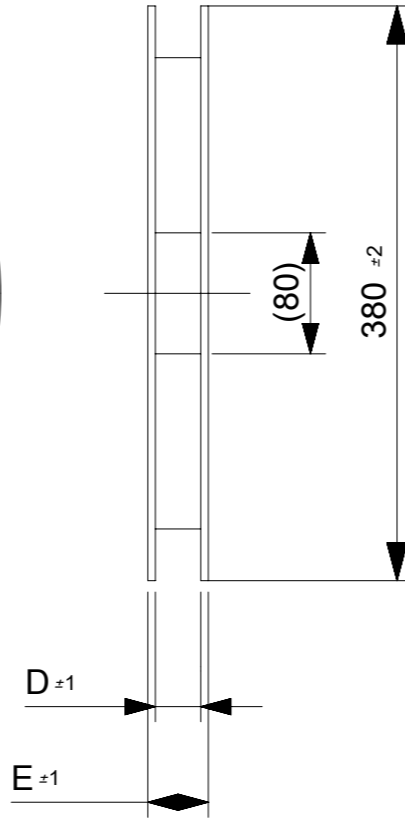
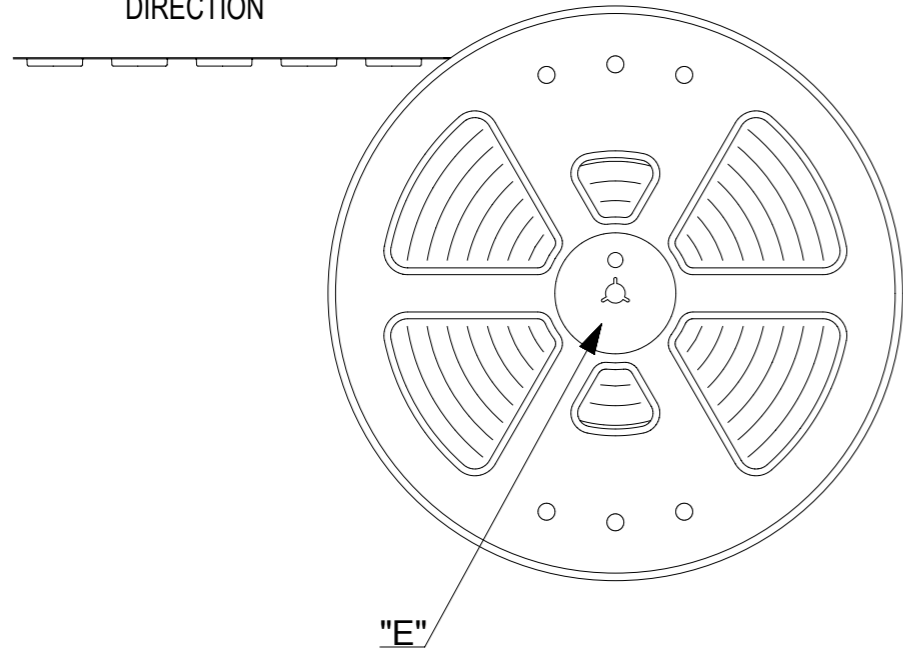
- 製品詳細寸法については、図面 5051101008を参照下さい。
FOR DIMENSIONS OF PRODUCT, REFER TO 5051101008.

- 材料 MATERIAL
キャリアテープ : ポリスチレン
CARRIER TAPE : POLYSTYRENE
トップテープ : ポリエチレンテレフタレート、ポリエチレン
TOP TAPE : POLYETHYLENE TEREPHTHALATE, POLYETHYLENE
リール : ポリスチレン<リサイクル材を含む>
REEL : POLYSTYRENE <RECYCLE MATERIAL CONTAINED >

- ELV及びRoHS適合品 ELV AND RoHS COMPLIANT.

引き出し方向

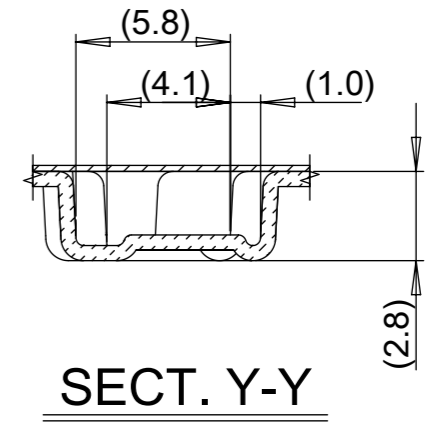
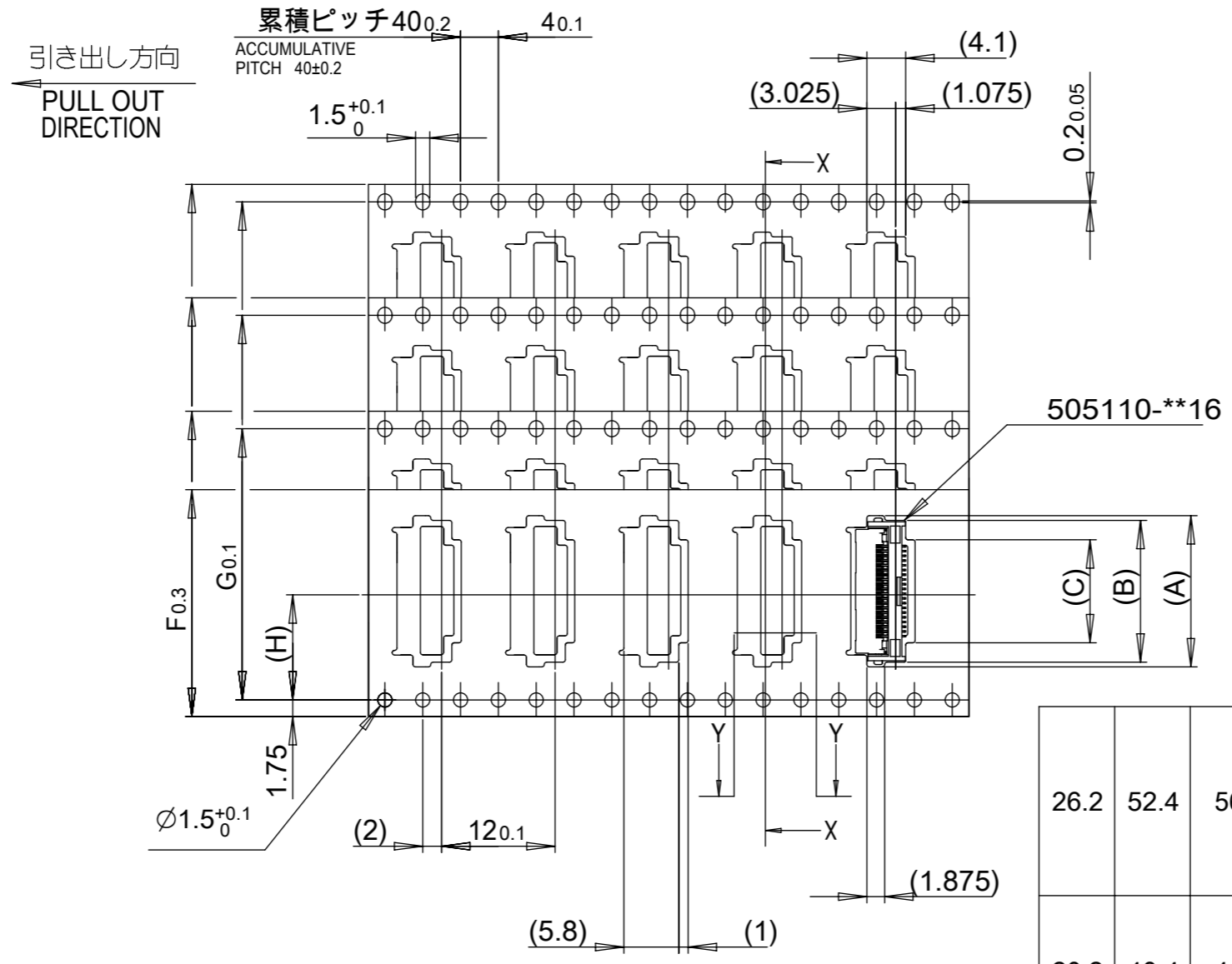
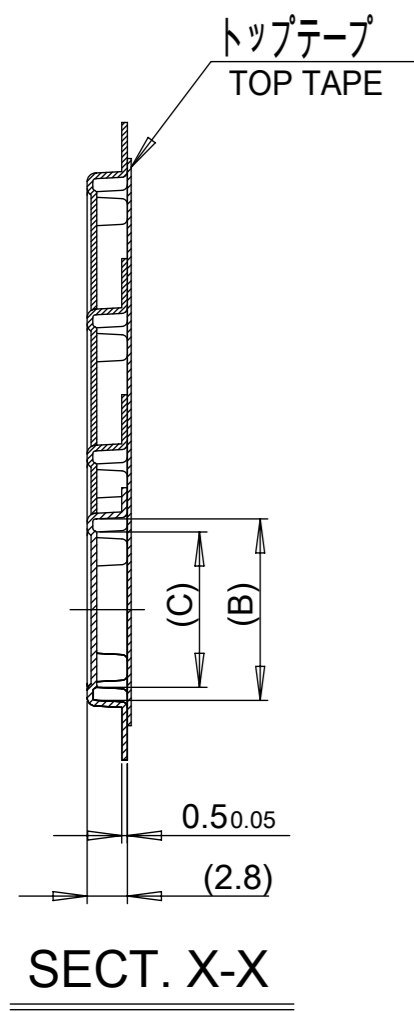
PULL OUT
DIRECTION



DETAIL "E"

THIS DRAWING CONTAINS INFORMATION THAT IS PROPRIETARY TO MOLEX ELECTRONIC TECHNOLOGIES, LLC AND SHOULD NOT BE USED WITHOUT WRITTEN PERMISSION

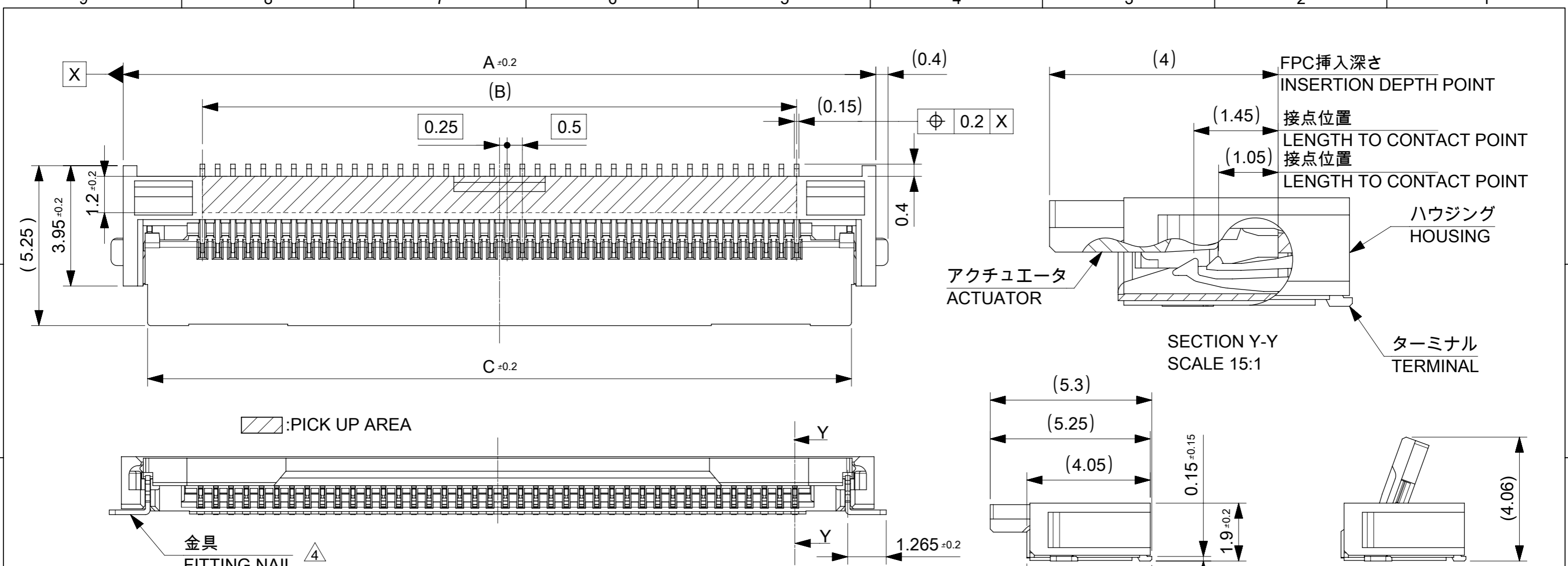
EC NO: 103203 DRWN: NKONDO CHK'D: KTAKAHASHI APPR: TKUSUHARA01	2016/02/29	2016/02/29	2016/02/29	GENERAL TOLERANCES (UNLESS SPECIFIED) ANGULAR TOL ± 1.0 ° 4 PLACES ± 0.03 3 PLACES ± 0.03 2 PLACES ± 0.05 1 PLACE ± 0.1 0 PLACES ± 0.2 DRAFT WHERE APPLICABLE MUST REMAIN WITHIN DIMENSIONS	DIMENSION UNITS	SCALE				
	RELEASED	MM	1:1							
	DRWN BY	DATE	0.5 FPC CONN ZIF E/O 2 CONT TYPE EMB PKG							
	NKONDO	2016/02/18	PRODUCT CUSTOMER DRAWING							
	CHK'D BY	DATE	SERIES		MATERIAL NUMBER	CUSTOMER				
KTAKAHASHI	2016/02/19	505110	SEE SHEET 2	GENERAL						
APPR BY	DATE	DOCUMENT NUMBER	DOC TYPE	DOC PART	SHEET NUMBER					
TKUSUHARA01	2016/02/19	5051100008	PSD	000	1 OF 2					
DRAWING SIZE	THIRD ANGLE PROJECTION									
A3										



CONNECTOR SERIES NO. 505110-**16									
26.2	52.4	56	61.4	57.4	40.9	44.9	46	505110-8096	80
					35.9	39.9	41	505110-7096	70
					34.9	38.9	40	505110-6896	68
					32.9	36.9	38	505110-6496	64
20.2	40.4	44	49.4	45.4	30.9	34.9	36	505110-6096	60
					25.9	29.9	31	505110-5096	50
					23.4	27.4	28.5	505110-4596	45
					20.9	24.9	26	505110-4096	40
14.2	28.4	32	37.4	33.4	18.4	22.4	23.5	505110-3596	35
					15.9	19.9	21	505110-3096	30
					14.9	18.9	20	505110-2896	28
					13.9	17.9	19	505110-2696	26
11.5	---	24	29.4	25.4	12.9	16.9	18	505110-2496	24
					11.9	15.9	17	505110-2296	22
					10.9	14.9	16	505110-2096	20
H	G	F	E	D	C	B	A	EMBOSSED PACKAGE	Ckt
オーダー番号 ORDER NO.									

THIS DRAWING CONTAINS INFORMATION THAT IS PROPRIETARY TO MOLEX ELECTRONIC TECHNOLOGIES, LLC AND SHOULD NOT BE USED WITHOUT WRITTEN PERMISSION

EC NO: 103203 DRWN: NKONDO CHK'D: KTAKAHASHI APPR: TKUSUHARA01	2016/02/29	2016/02/29	2016/02/29	GENERAL TOLERANCES (UNLESS SPECIFIED) ANGULAR TOL ± 1.0 ° 4 PLACES ± 0.03 3 PLACES ± 0.03 2 PLACES ± 0.05 1 PLACE ± 0.1 0 PLACES ± 0.2 DRAFT WHERE APPLICABLE MUST REMAIN WITHIN DIMENSIONS	DIMENSION UNITS	SCALE	
	RELEASED	MM	1:1				
	DRWN BY	DATE	NKONDO 2016/02/18				
	CHK'D BY	DATE	KTAKAHASHI 2016/02/19				
	APPR BY	DATE	TKUSUHARA01 2016/02/19				
DRAWING SIZE		THIRD ANGLE PROJECTION	PRODUCT CUSTOMER DRAWING SERIES: 505110 MATERIAL NUMBER: SEE CHART CUSTOMER: GENERAL				
A3							
DOCUMENT NUMBER: 5051100008		DOC TYPE: PSD					
DOC PART: 000		SHEET NUMBER: 2 OF 2					



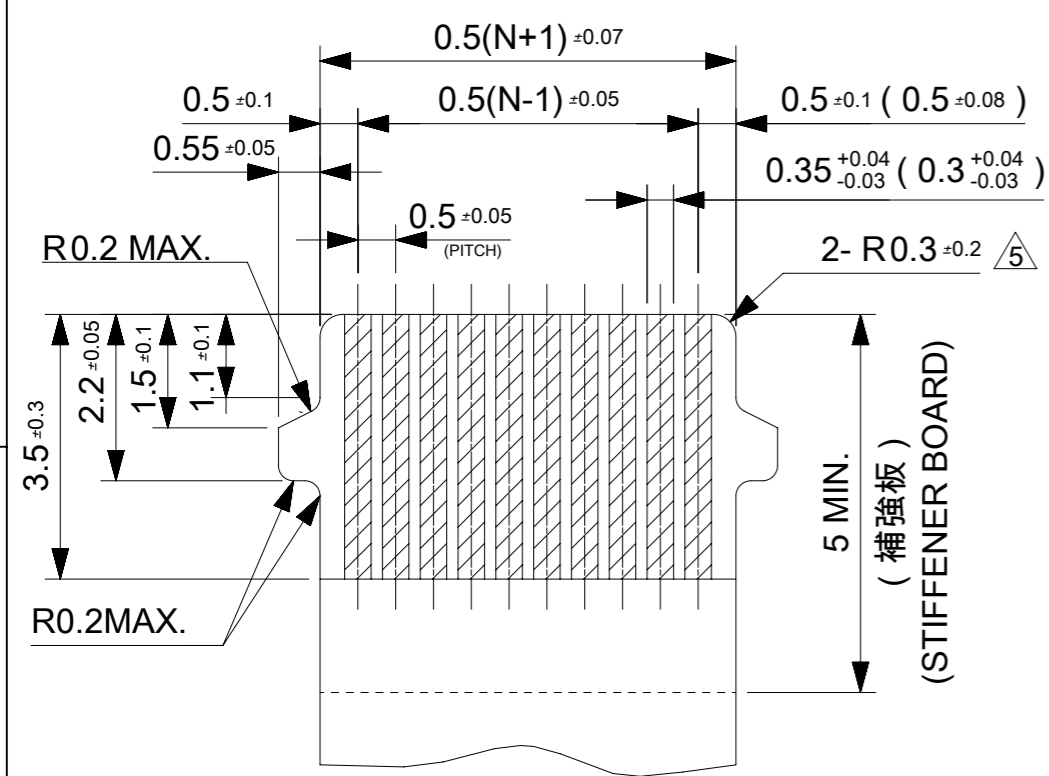
- 注記 NOTES**
1. 使用材料 MATERIAL
 ハウジング : 液晶ポリマー ガラス充填、UL94V-0(ベージュ)
 HOUSING LIQUID CRYSTAL POLYMER GLASS FILLED, UL94V-0(BEIGE)
 アクチュエータ : ポリアミド ガラス充填、UL94V-0(黒)
 ACTUATOR POLYAMIDE GLASS FILLED, UL94V-0(BLACK)
 ターミナル : 銅合金(t=0.15)
 TERMINAL COPPER ALLOY
 金具 : リン青銅(t=0.15)
 FITTING NAIL PHOSPHOR BRONZE

- △ パターン剥離止め用金具
 FITTING NAIL FOR PREVENTION OF PEELING OF P.C.B. PATTERN.
- △ R0.3はFPC導体部にかからないこと。
 R0.3 MUST NOT BE OVERLAPPED TO PATTERN OF FPC.
6. N:極数 N:CIRCUIT.
7. ELV及びRoHS適合品
 ELV AND RoHS COMPLIANT
8. テールと金具を併せた平坦度は0.1mm以下とする。
 TAILS AND NAILS COPLANALITY TO BE 0.1mm MAX.

2. めっき仕様 PLATING
 ターミナル TERMINAL
 コンタクト部 : 部分金めっき (0.05µm以上)
 テール部 : 部分金めっき
 下地: ニッケルめっき (1.0µm以上)
 CONTACT AREA : SEPARATED GOLD PLATING (0.05 MICROMETER MIN.)
 SOLDER TAIL AREA : SEPARATED GOLD PLATING UNDERPLATE : NICKEL OVERALL (1.0 MICROMETER MIN.)
- 金具 FITTING NAIL
 錫めっき (1.0µm以上)
 下地: ニッケルめっき (1.0µm以上)
 TIN PLATING (1.0 MICROMETER MIN.)
 UNDER PLATING : NICKEL PLATING (1.0 MICROMETER MIN.)
3. インボステーブ梱包時は、アクチュエータが閉じた状態とする。
 IN THE PACKAGE, ACTUATOR OF PART SHOULD BE CLOSED.

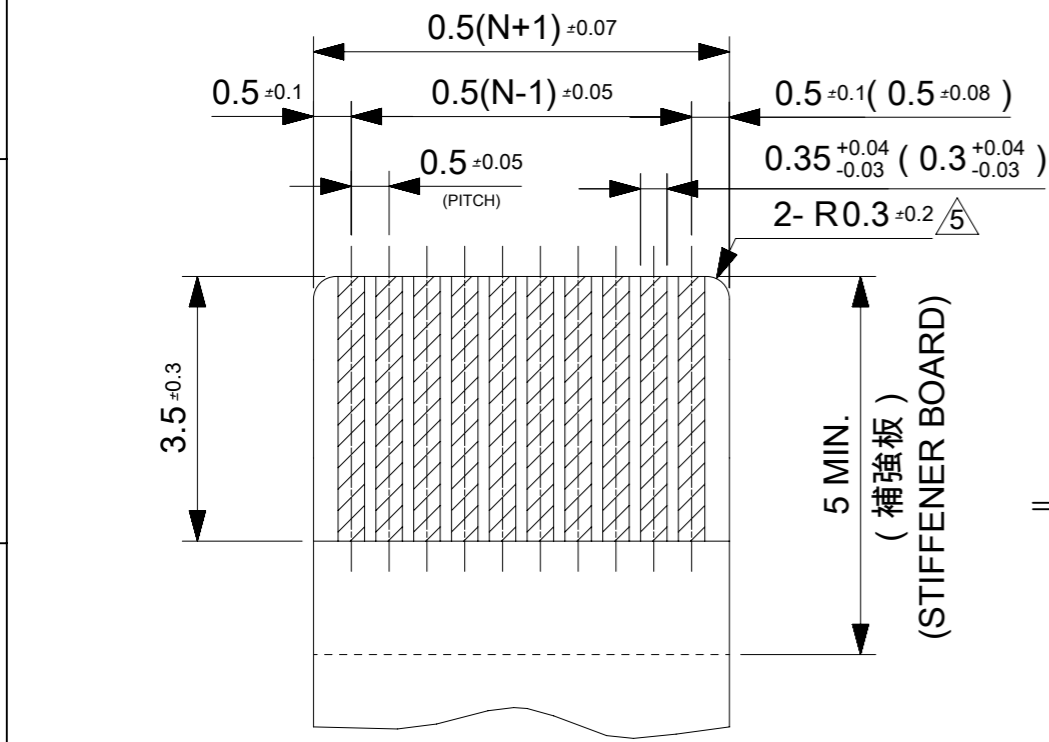
THIS DRAWING CONTAINS INFORMATION THAT IS PROPRIETARY TO MOLEX ELECTRONIC TECHNOLOGIES, LLC AND SHOULD NOT BE USED WITHOUT WRITTEN PERMISSION

EC NO: 103203 DRWN: NKONDO CHK'D: KTAKAHASHI APPR: TKUSUHARA01	2016/02/29	2016/02/29	2016/02/29	GENERAL TOLERANCES (UNLESS SPECIFIED) ANGULAR TOL ± 1.0 ° 4 PLACES ± 0.03 3 PLACES ± 0.03 2 PLACES ± 0.05 1 PLACE ± 0.1 0 PLACES ± 0.2 DRAFT WHERE APPLICABLE MUST REMAIN WITHIN DIMENSIONS	DIMENSION UNITS	SCALE			
	RELEASED	MM	8:1						
	DRWN BY	DATE	CHK'D BY		DATE	0.5 FPC CONN ZIF E/O 2 CONTACT TYPE			
	NKONDO	2016/02/18	TKUSUHARA01		2016/02/19	PRODUCT CUSTOMER DRAWING			
APPR BY	DATE	DRAWING SIZE	THIRD ANGLE PROJECTION	SERIES	MATERIAL NUMBER	CUSTOMER	GENERAL		
TKUSUHARA01	2016/02/19	A3		505110	SEE SHEET 3				
REV	DOC NUMBER	DOC TYPE	DOC PART	SHEET NUMBER					
B	5051101008	PSD	000	1 OF 3					



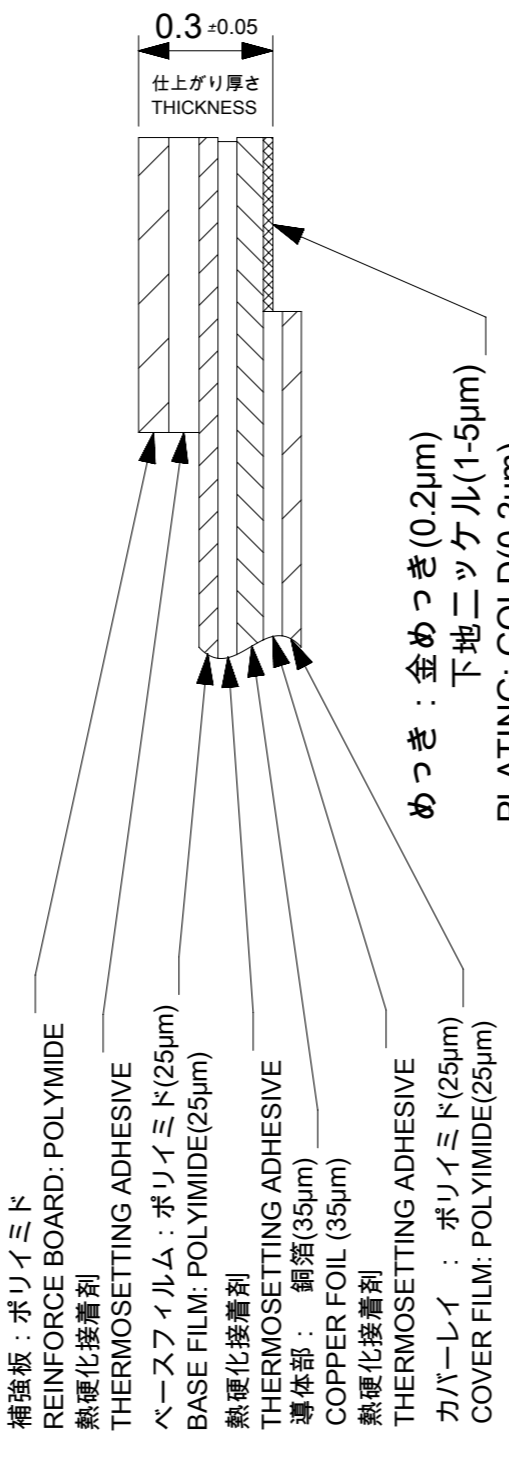
適合FPC/FFC推奨寸法
APPLICABLE FPC/FFC
RECOMMENDED DIMENSION

():FFCに適用
():APPLY TO FFC



耳無し適合FPC/FFC推奨寸法
APPLICABLE NON-TAB FPC/FFC
RECOMMENDED DIMENSION

():FFCに適用
():APPLY TO FFC



FPC構成推奨仕様
STRUCTURE OF FPC

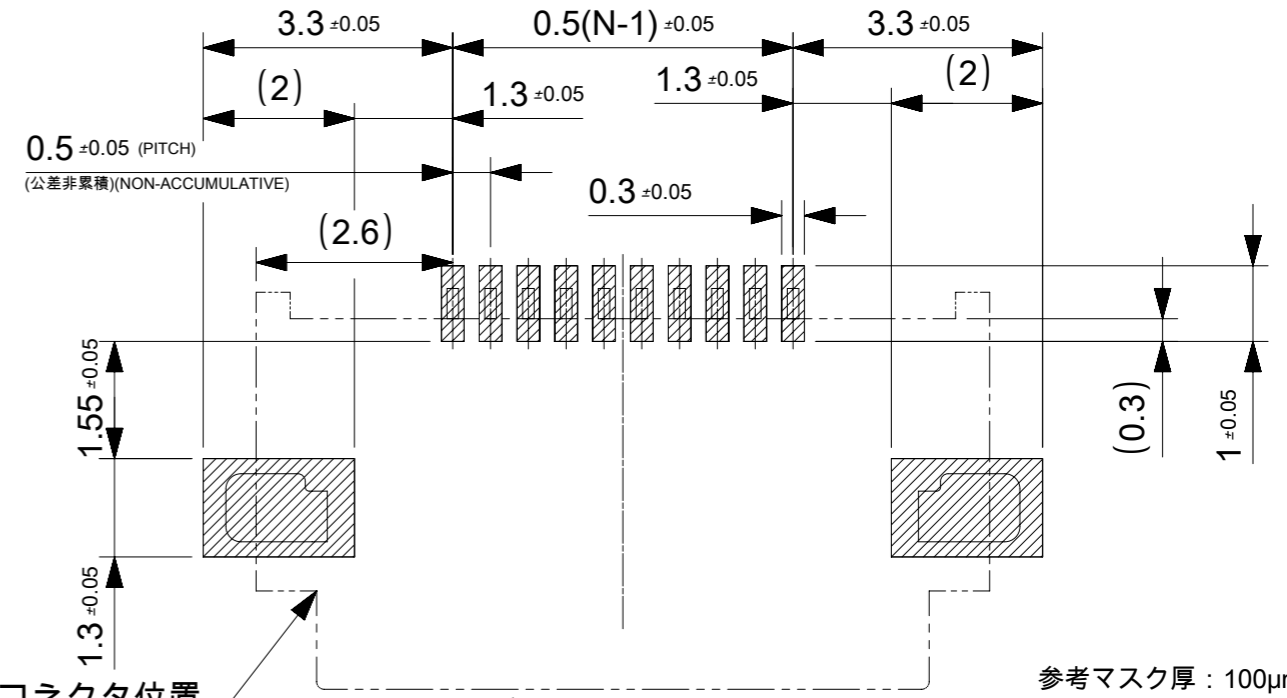
FPC/FFCについて ABOUT FFC

打ち抜き方向は導体側から補強板側を推奨します。
導体部については軟箔銅35μmまたは50μmを推奨します。
FFCに規定された定格温度がFFC単体前提である場合が御座います。
コネクタと組み合わせての実使用において、接着層が劣化するなどの信頼性を満足できないケースを回避するため、
実機での評価/確認をお願いいたします。

RECOMMENDED PUNCHING DIRECTION : FROM CONDUCTOR SIDE TO STIFFENER SIDE
RECOMMENDED CONDUCTOR SPEC : SOFT COPPER FOIL
RECOMMENDED CONDUCTOR THICKNESS : 35 MICROMETER OR 50 MICROMETER
NOTE: WHEN ACTUALLY USING IT WITH CONNECTOR, PLEASE DO THE EVALUATION AND THE CONFIRMATION WITH AN ACTUAL EQUIPMENT TO EVADE THE CASE WHERE RELIABILITY CANNOT BE FILLED (THE ADHESIVE LINE OF FFC IS DETERIORATED ETC.)

FPCについて ABOUT FPC

補強フィルム材質はポリイミドを推奨します。ベースフィルムは25μmを推奨します。
接着剤は熱硬化接着剤を推奨します。
尚、接着剤の接点部への付着は導通不良の原因になりますので、染み出しが無い様お願い致します。
RECOMMENDED MATERIAL/THICKNESS.
RECOMMENDED STIFFENER MATERIAL: POLYIMIDE
RECOMMENDED BASE FILM THICKNESS: 25 MICROMETER
RECOMMENDED ADHESIVE: THERMOSETTING ADHESIVE
NOTE: PLEASE PUT APPROPRIATE AMOUNT OF ADHESIVE ON ADHEREND BECAUSE THERE IS A POSSIBILITY THAT THE EXTRA ADHESIVE CAUSES THE DEFECT IN ELECTRICAL CONTINUITY.
THERE IS A POSSIBILITY THAT THE PRESCRIPT TEMPERATURE OF FFC IS SET TO SINGLE IT.



コネクタ位置
(CONNECTOR POSITION)

推奨基板レイアウト
RECOMMENDED P.W.B.
PATTERN LAYOUT

参考マスク厚 : 100μm
参考マスク開口率 : 100%
REFERENCE SCREEN THICKNESS : 100μm
REFERENCE SCREEN OPEN RATIO : 100%

THIS DRAWING CONTAINS INFORMATION THAT IS PROPRIETARY TO MOLEX ELECTRONIC TECHNOLOGIES, LLC AND SHOULD NOT BE USED WITHOUT WRITTEN PERMISSION

RELEASED EC NO: 103203 DRWN: NKONDO CHK'D: TAKAHASHI APPR: TKUSUHARA01	2016/02/29	GENERAL TOLERANCES (UNLESS SPECIFIED)	DIMENSION UNITS	SCALE	molex®
	2016/02/29	ANGULAR TOL ± 1.0 °	MM	10:1	
	2016/02/29	4 PLACES ± 0.03	DRWN BY	DATE	
		3 PLACES ± 0.03	NKONDO	2016/02/18	
		2 PLACES ± 0.05	CHK'D BY	DATE	0.5 FPC CONN ZIF E/O 2 CONTACT TYPE
		1 PLACE ± 0.1	TKUSUHARA01	2016/02/19	
		0 PLACES ± 0.2	APPR BY	DATE	PRODUCT CUSTOMER DRAWING
		DRAFT WHERE APPLICABLE MUST REMAIN WITHIN DIMENSIONS	TKUSUHARA01	2016/02/19	
			DRAWING SIZE	THIRD ANGLE PROJECTION	SERIES
			A3		505110
					MATERIAL NUMBER
					SEE SHEET 3
					CUSTOMER
					GENERAL
					DOCUMENT NUMBER
					5051101008
					DOC TYPE
					PSD
					DOC PART
					000
					SHEET NUMBER
					2 OF 3

9 8 7 6 5 4 3 2 1

E

D

C


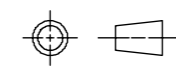
B

A

CONNECTOR SERIES NO. 505110-**16

43.1	39.5	44.7	505110-8096	80
38.1	34.5	39.7	505110-7096	70
37.1	33.5	38.7	505110-6896	68
35.1	31.5	36.7	505110-6496	64
33.1	29.5	34.7	505110-6096	60
28.1	24.5	29.7	505110-5096	50
25.6	22.0	27.2	505110-4596	45
23.1	19.5	24.7	505110-4096	40
20.6	17	22.2	505110-3596	35
18.1	14.5	19.7	505110-3096	30
17.1	13.5	18.7	505110-2896	28
16.1	12.5	17.7	505110-2696	26
15.1	11.5	16.7	505110-2496	24
14.1	10.5	15.7	505110-2296	22
13.1	9.5	14.7	505110-2096	20
C	B	A	EMBOSSED PACKAGE オーダー番号 ORDER NO.	Ckt

THIS DRAWING CONTAINS INFORMATION THAT IS PROPRIETARY TO MOLEX ELECTRONIC TECHNOLOGIES, LLC AND SHOULD NOT BE USED WITHOUT WRITTEN PERMISSION

EC NO: 103203 DRWN: NKONDO CHK'D: KTAKAHASHI REV APPR: TKUSUHARA01	2016/02/29 2016/02/29 2016/02/29	GENERAL TOLERANCES (UNLESS SPECIFIED)		DIMENSION UNITS	SCALE	 0.5 FPC CONN ZIF E/O 2 CONTACT TYPE			
		ANGULAR TOL ± 1.0 °		MM					
		4 PLACES ± 0.03	DRWN BY	DATE					
		3 PLACES ± 0.03	NKONDO	2016/02/18					
		2 PLACES ± 0.05	CHK'D BY	DATE					
1 PLACE ± 0.1	TKUSUHARA01	2016/02/19		PRODUCT CUSTOMER DRAWING					
0 PLACES ± 0.2	APPR BY	DATE		SERIES	MATERIAL NUMBER	CUSTOMER			
DRAFT WHERE APPLICABLE MUST REMAIN WITHIN DIMENSIONS				505110	SEE CHART	GENERAL			
				DRAWING SIZE	THIRD ANGLE PROJECTION	DOCUMENT NUMBER	DOC TYPE	DOC PART	SHEET NUMBER
				A3		5051101008	PSD	000	3 OF 3

RELEASE STATUS	P1	RELEASE DATE	29.02.2016	09:58:55
----------------	----	--------------	------------	----------

9 8 7 6 5 4 3 2 1

FORMAT: master-b-prod-A3
REVISION: F
DATE: 2015/11/16