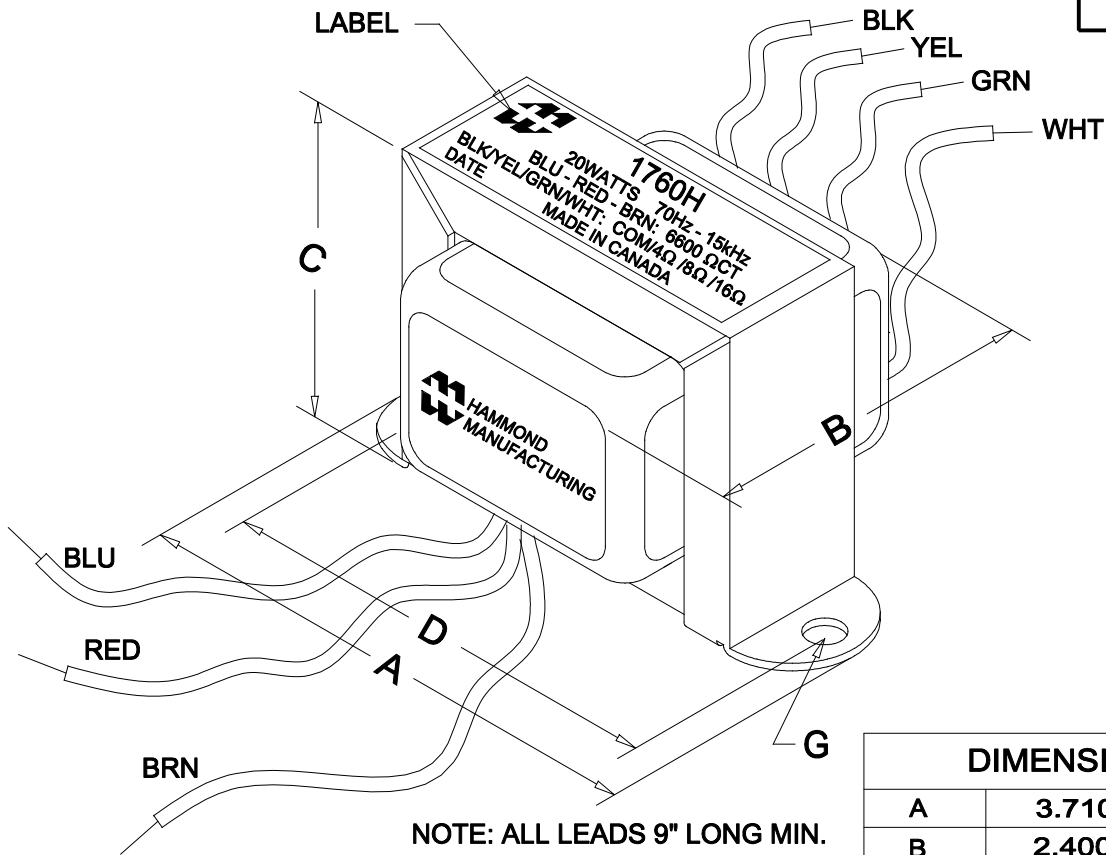


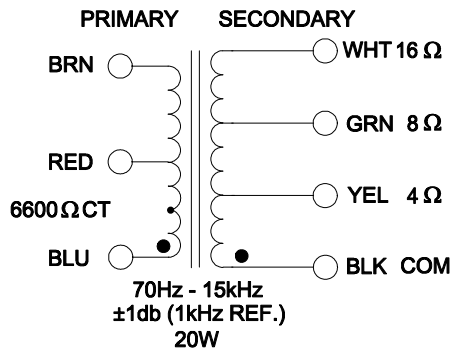
1760H



NOTE: ALL LEADS 9" LONG MIN.

**DIMENSIONS:**

A	3.710" ±0.063
B	2.400" ±0.125
C	2.308" ±0.063
D	3.130" ±0.063
G	0.187" ±0.015



**ELECTRICAL DATA:**

Turns ratio:	4 ohm ( 40.62:1 ) , 8 ohm ( 28.72:1 ) , 16 ohm ( 20.31:1 )
Inductance	@ 250V, 60Hz =>94.74H (Open circuit)
DCR	@ 20°C, BLU - BRN = 347.8 Ω ±20%
	@ 20°C, BLK - YEL = 0.686 Ω ±20%
	@ 20°C, BLK - GRN = 1.157 Ω ±20%
	@ 20°C, BLK - GRN = 0.803 Ω ±20%
FREQ. RESP	@ 20W, 70Hz - 15kHz = BLU - BRN ±1dB (1kHz Ref.)
Pri. Impedance	6600 Ω (363.3V)
Sec. Impedance	4/8/16 Ω (8.944V/12.65V/17.89V)
Power	20 WATTS



**HAMMOND  
ELECTRONICS**

52 RANKIN PLACE,  
WATERLOO, ONTARIO, N2L 3Z5.  
PHONE (519) 886-6181  
FAX # (519) 886-9540

TITLE  
**1760H**

			DR BY B.Pervaiz
0	08/08/13	Released	D.H. DATE 08/25/09
NO	DATE	REVISION	DIM IN(X)MM( )

1760H