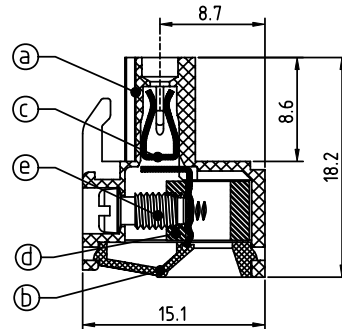
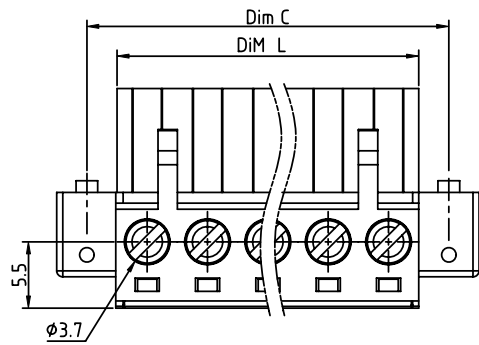
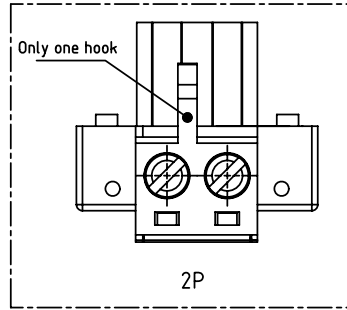
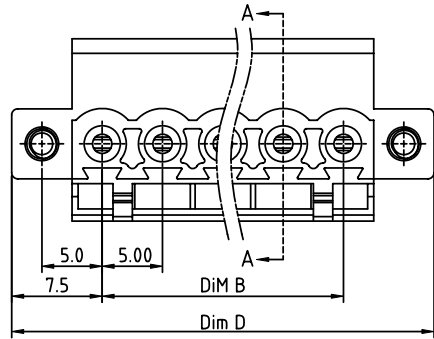
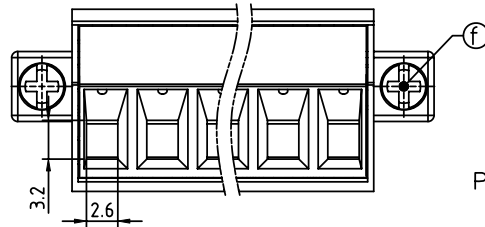


PRODUCT NUMBER	PITCH
TJxx71x700J0G	5.00 mm



SECTION A-A



Material

- Item (a) Terminal body: Thermoplastic (UL94V-0)
- Item (b) Terminal cover: Thermoplastic (UL94V-0)
- Item (c) Female contact: High conductivity copper, Tin plated
- Item (d) Clamp: Brass, Ni plated
- Item (e) Terminal screw: Steel Zinc plating "-" slot type
- Item (f) With flange screw: Steel Zinc plating M2.5"/+/-" slot type

Electrical

- Voltage rating: 300V
- Current rating: 20A
- Solid wire (AWG): 12-24
- Stranded wire (AWG): 12-24
- Torque (Lb-In): 5
- Screw: M3
- Wire strip length: 7-8mm
- Withstanding Voltage: 1.6KV
- Operating temperature: -40°C to +115°C
- Safety Approval: us

PART NO.: TJ xx 71x 7 00J0 G

No. of poles	Color	RoHS compliant
02 2 poles	0 Black (RAL9005)	(lead<4%)
03 3 poles	2 Red (RAL3001/D)	In copper Alloy
...	3 Orange (RAL2011/P)	
...	4 Yellow (RAL1018/A)	
24 24 poles	5 Green (RAL6018/T)	
	6 Blue (RAL5015/A)	
	8 Grey (RAL7035/D)	
	9 White (RAL1102)	
	C Green (RAL6018/U)	

N=NUMBER OF POLES

Dim L=Nx5.00
Dim B=(N-1)x5.00
Dim C=(N+1)x5.00
Dim D=(N+2)x5.00

POLES	Tolerance
2P-5P	±0.15
6P-10P	±0.20
11P-15P	±0.25
16P-20P	±0.30
21P-24P	±0.40

mat'l. code		surface ASME Y14.5	tolerance ASME Y14.5	projection	product family
ltr ecn no dr date		tolerances unless otherwise specified			TERMINAL BLOCK
angles		X.±0.5		MM	title
X°±1'		X.X±0.3			TERMINAL BLOCK
dr		X.XX±0.1		scale	PLUGGABLE PLUG, WITH PLANGE, CONTACT ON UP SIDE
enr					sheet 1 of 1 size
chr					TJxx71x700J0G
appd					A4
sheet index		revision	A		type
sheet		1			CUSTOMER Drawing