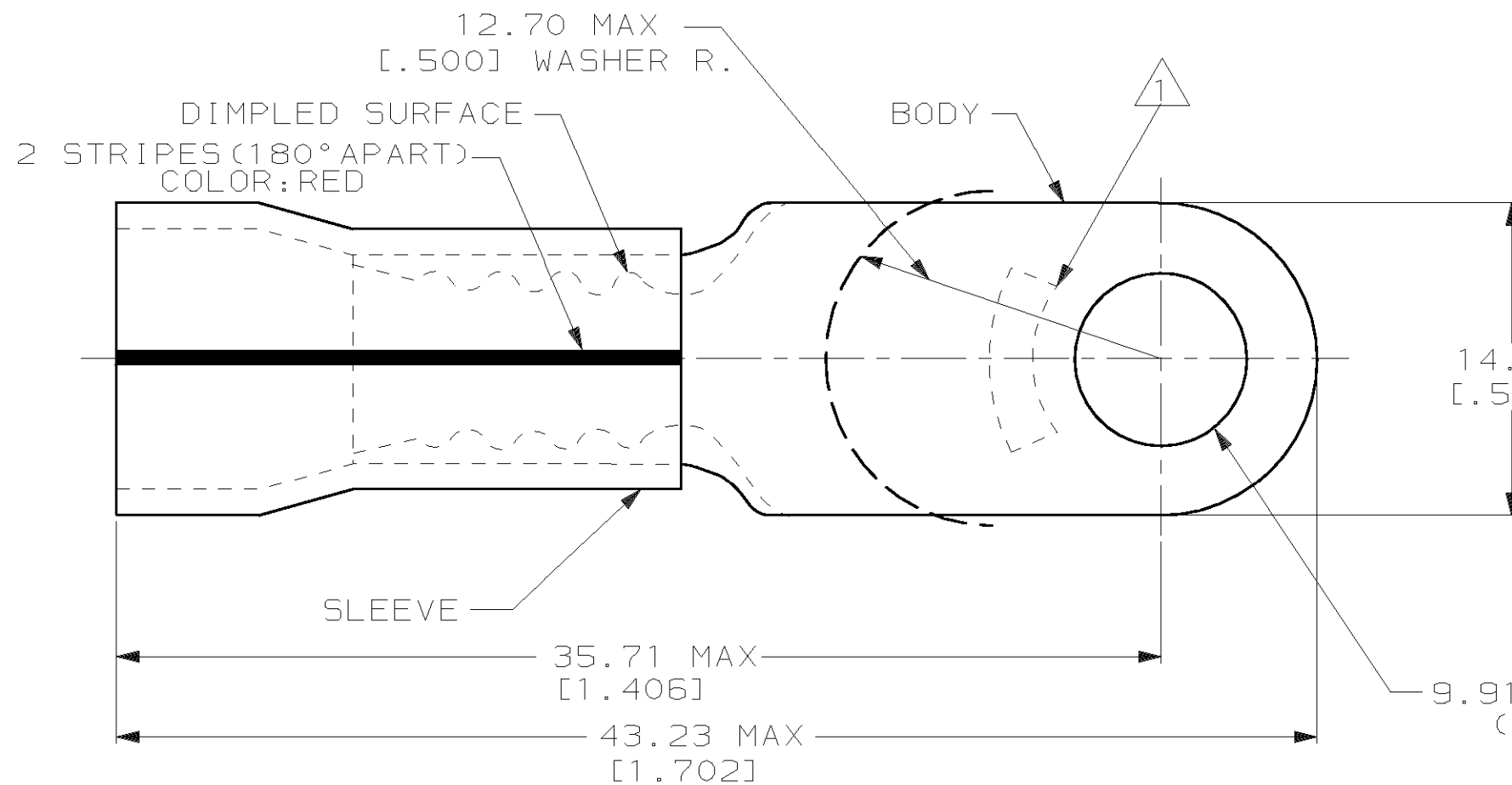


THIS DRAWING IS UNPUBLISHED. RELEASED FOR PUBLICATION, 19 .
 © COPYRIGHT 19 BY AMP INCORPORATED. ALL INTERNATIONAL RIGHTS RESERVED.

LOC G	DIST 14	P	F	REVISIONS			DATE	APPD
				ZONE	LTR	DESCRIPTION		
					E	REV PER 0G3A-0363-01	10JUL01	JR/TM



AMP
 WIRE RANGE
 8 AWG STRANDED

METRIC
 DIMENSIONS LISTED IN mm [INCHES]

NOTE:
 1. STAMP AMP 8* LOCATE APPROX AS SHOWN
 2. TONGUE MATERIAL THK 1.02±0.08 [.040±.003]
 3. WIRE INSULATION DIA 9.65 [.380] MAX

100	LOOSE PC	53944-1
QTY	PACKAGE TYPE	PART NO

**AMP INCORPORATED
 CUSTOMER SERVICE SYSTEMS**

MAX RECOMMENDED OPERATING TEMPERATURE:
 150°c
 VOLTAGE RATING:
 600 V MAX
 CIRCULAR MIL AREA:
 6.64-10.54mm² [13,100-20,800]
 STRANDED

DO NOT SCALE PRINT. UNLESS SPECIFIED
 DIMENSIONS IN mm [INCHES]
 TOLERANCES ON:
 2 PLC DEC ± 0.20 [.008]
 3 PLC DEC ± -
 ANGLES ± -
 MATERIAL
 COPPER PER ASTM B-152
 PVF², COLOR:NATUTAL
 FINISH
 TIN/LEAD (93-7) PLATE
 PER ASTM B545

DR 10-5-93
 S.S. GOULDEN
 CHK 10-5-93
 R. HERSEY
 APPD 10-5-93
 B. BARE
 APPD 10-5-93
 M. ELLIS
 PRODUCT SPEC
 NOT AVAILABLE
 APPLICATION SPEC
 NOT AVAILABLE
 WEIGHT -

AMP AMP Incorporated
 Harrisburg, PA 17105-3608
 NAME
 TERMINAL, RING TONGUE, PVF²,
 PLASTI-GRIP, WIRE SIZE:8 AWG
 SIZE B CAGE CODE 00779 DRAWING NO C-53944
 SCALE NTS SHEET 1 OF 1

FOR ADDITIONAL PRODUCT INFORMATION OR COPIES OF DRAWINGS AND TECHNICAL DOCUMENTS	PRODUCT INFORMATION CENTER 1-800-522-6752
FOR APPLICATION TOOLING INFORMATION	TOOLING ASSISTANCE CENTER 1-800-722-1111
FOR ORDER ENTRY	1-800-526-5142

THIS DRAWING IS A CONTROLLED DOCUMENT FOR AMP INCORPORATED. IT IS SUBJECT TO CHANGE AND THE CONTROLLING ENGINEERING ORGANIZATION SHOULD BE CONTACTED FOR THE LATEST REVISION.