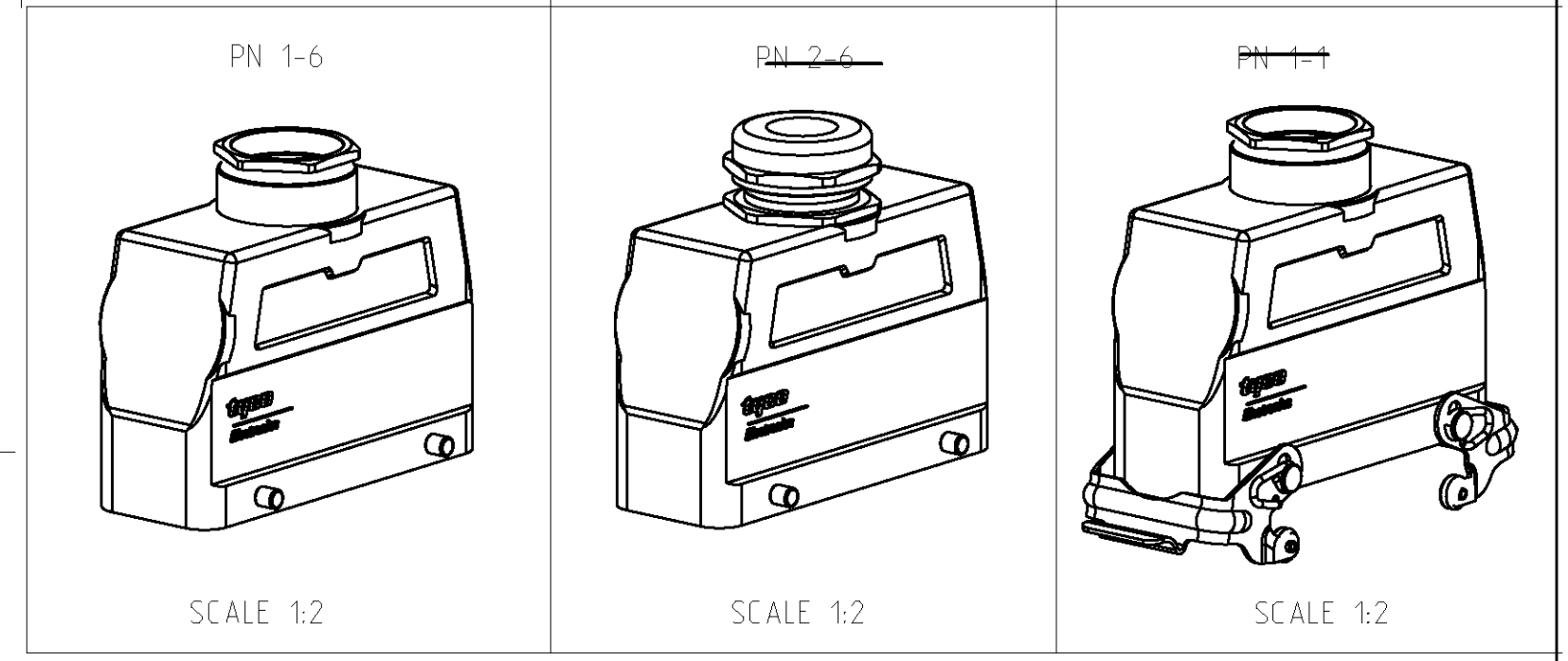
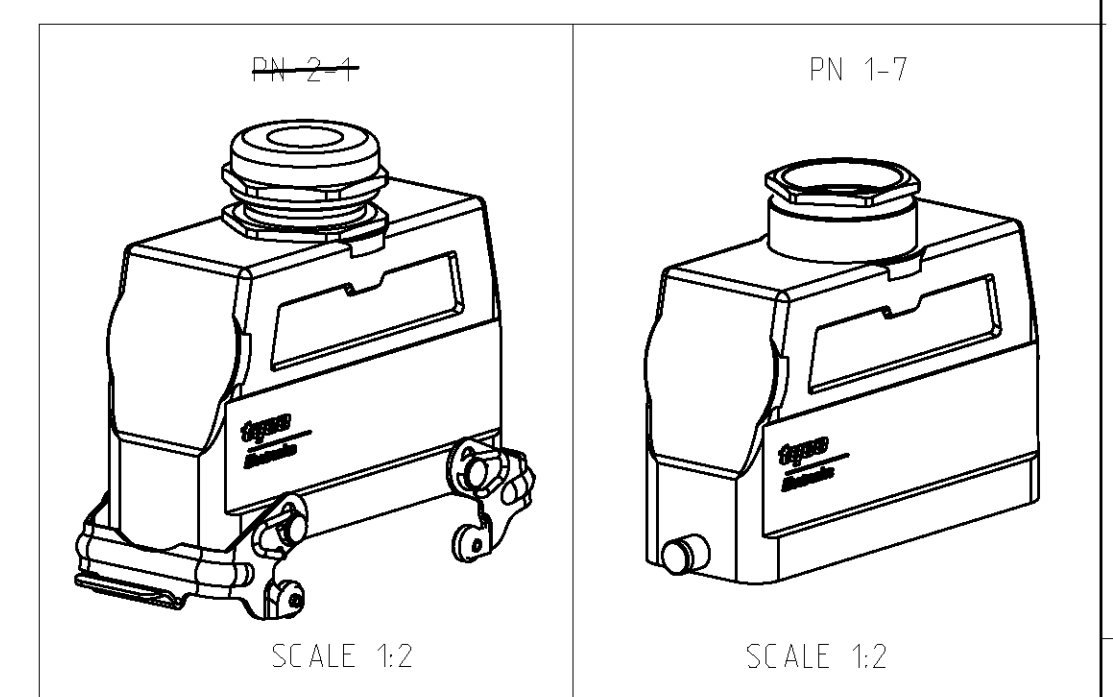


LOC	DIST	REVISIONS			
P	LYR	DESCRIPTION	DATE	DWN	APVD
A3		Released as per ECR-07-030424	17.12.07	SP	TS
A4		REVISED PER ECO-09-027197	21JAN10	KK	HMR

- NOTES.
- Material:Housing:Aluminium Diecasting Alloy
Seals :Neoprene
 - Surface:Varnish grey:black
 - Varnish on the inside not necessary
 - Packaging
Quantity 5 Pieces in a box
- 5** OBSOLETE PARTS: OBSOLETE CIS STREAMLINING PER D.RENAUD/D.SINIS



OBSOLETE
5

QTY	DESCRIPTION	MATERIAL	SURFACE	COLOR	ITEM NO	REMARKS
2	LB-Side bolt	Steel	Zinc plated	Blue	9	
2	VS-Locking clip	Stainless steel			8	
2	VS-Locking clip	Steel	Zinc plated	Blue	7	
2	VS-Clip bolt	Stainless steel			6	
4	VS-Clip bolt	Steel	Zinc plated	Blue	5	
1	Hut-Gland fitting Pg29	Brass	Nickel plated		4	
1	PG-Gland fitting Pg29	Brass	Nickel plated		3	
1	Hood HD.64.Pg.1.29	Aluminium	Aluminium oxide	Black	2	
1	Hood HD.64.Pg.1.29	Aluminium		Grey	1	

ORDERING TEXT
 HD.64.STO.1.29
 HD.K.64.STO.1.29
 HD.64.STO.VS.1.29
 HD.K.64.STO.VS.1.29
 HD.64.STO-GR.1.29

DIMENSIONS: mm		TOLERANCES UNLESS OTHERWISE SPECIFIED:		DWN: Schneider 03-Jan-08		CIN: Schneider		Tyco Electronics Tyco Electronics AMP GmbH 0-53819-Neunkirchen,Germany	
MATERIAL: -		FINISH: -		APVD: Schneider		NAME: Hood HD.64.STO.1.29		RESTRICTED TO: -	
9 PLC ±		10 PLC ±		PRODUCT SPEC: 108-74001		SIZE: A		SCALE: 1:1	
11 PLC ±		12 PLC ±		108-74003		CAGE CODE: 00779		SHEET: 1 OF 1	
13 PLC ±		14 PLC ±		APPLICATION SPEC: 114-74001		DRAWING NO: C=1103342		REV: A4	
15 ANGLE ±		16 ANGLE ±		114-74004		CUSTOMER DRAWING		REV: -	