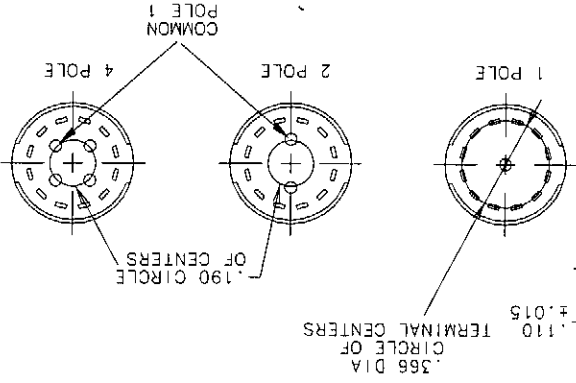
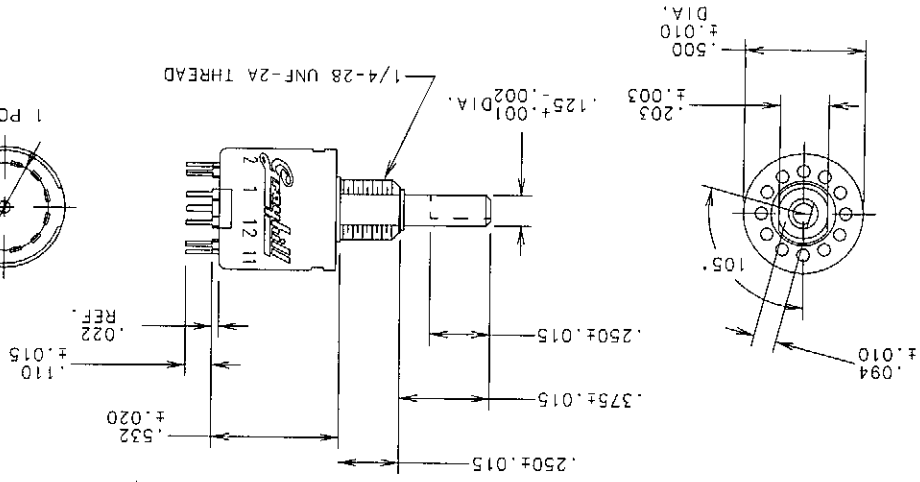


SWITCH DESCRIPTION

1. ONE DECK.
2. 1, 2, OR 4 POLES.
3. 12 POSITIONS.
4. SHORTING OR NON-SHORTING.
5. FLAT ALIGNMENT OPPOSITE POINT OF CONTACT OF POLE #1.
6. STOP PINS AND SILVER STICKER SHIPPED LOOSE.



FINAL SWITCH ASSEMBLY
(THIS ILLUSTRATION IS TYPICAL)



PART NUMBER
55DP30-01-X-A1X
NUMBER OF POLES
ADJUSTABLE POSITIONS
CONTACT TYPE
(N=NONSHORTING, S=SHORTING)

SCALE	SHEET 1 OF 1		
SIZE	55DP30-X		
DWG. NO.	B		
ISSUE	M		
CAGE NO.	81073		
CADAM DRAWING	55DP30-X-M-001		
GRAYHILL STANDARD			
CUSTOMER NAME & PART NO.			
DRAWN	JJP		
DATE	1-4-82		
CHECKED	VN		
DATE	3-28-83		
SPEC. FEATURE:			
STYLE:	"DP"		
S.O.#:			
INDEXING:	30		
SD/FR#:			
<p>GRAYHILL, INC. 561 HILLGROVE AVE. LA GRANGE, IL 60525 PHONE (708) 354-1040</p>			
REVISIONS			
ECN #	ISSUE	APP/DATE	DESCRIPTION
348816	L	PPG	REDRAWN IN CADAM, CSR 9-29-03
	A	VN	ORIGINAL JJP

ALL REVISIONS TO THIS DRAWING
MUST BE MADE ON THE CAD SYSTEM