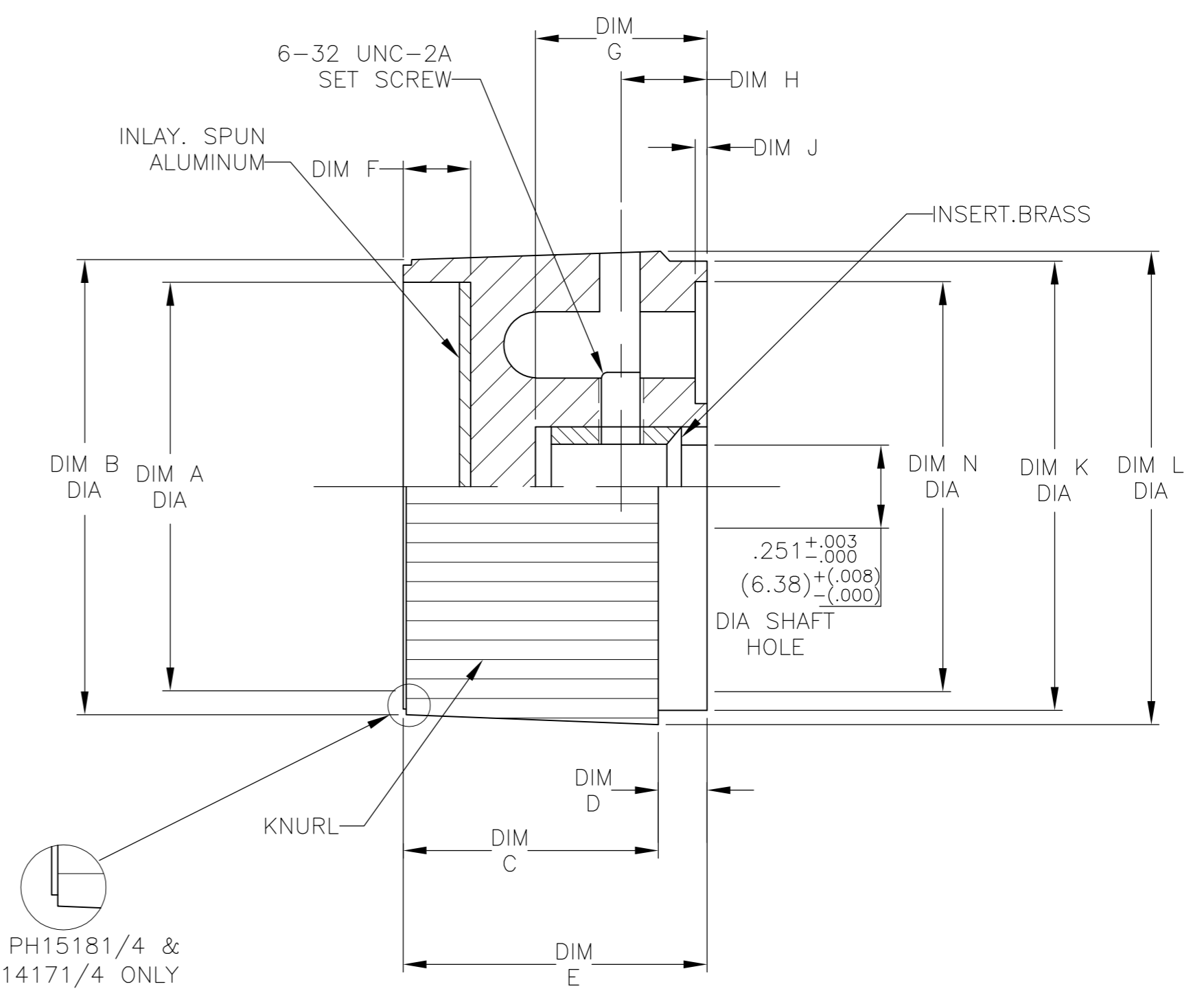
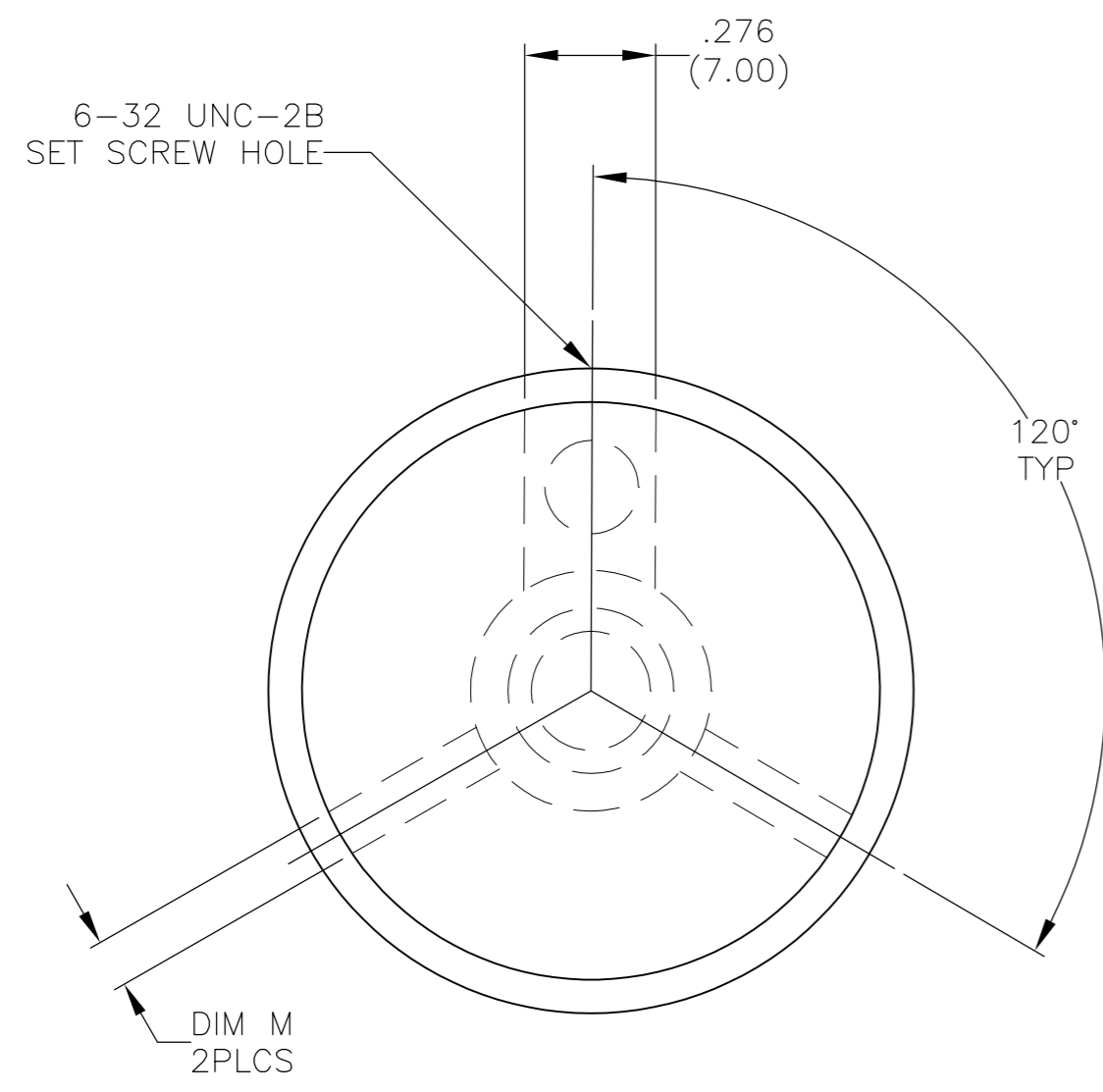


THIS DRAWING IS UNPUBLISHED. RELEASED FOR PUBLICATION
 © COPYRIGHT BY TYCO ELECTRONICS CORPORATION. ALL RIGHTS RESERVED.

LOC		DIST		REVISIONS			
AD	00	P	LTR	DESCRIPTION	DATE	DWN	APVD
		A2		ECO-08-001233	16JAN08	MB	MW



PH15181/4 & PH14171/4 ONLY

MODEL NO.	DIMENSIONS													TE PT. NO.
	DIM A	DIM B	DIM C	DIM D	DIM E	DIM F	DIM G	DIM H	DIM J	DIM K	DIM L	DIM M	DIM N	
PH15181/4	.799 (20.30)	.972 (24.70)	.512 (13.00)	.157 (4.00)	.669 (17.00)	.118 (3.00)	.472 (12.00)	.276 (7.00)	.098 (2.50)	.937 (23.80)	.996 (25.30)	.079 (2.00)	.823 (20.90)	1437624-2
PH14171/4	.988 (25.10)	1.161 (29.50)	.591 (15.00)	.079 (2.00)	.669 (17.00)	.138 (3.50)	.445 (11.30)	.256 (6.50)	.098 (2.50)	1.102 (28.00)	1.193 (30.30)	.079 (2.00)	1.024 (26.00)	1437624-1
PH13161/4	1.201 (30.50)	1.339 (34.00)	.764 (19.40)	.142 (3.60)	.906 (23.00)	.197 (5.00)	.512 (13.00)	.256 (6.50)	--	1.319 (33.50)	1.402 (35.60)	.098 (2.50)	--	2-1437625-5

OBSOLETE
OBSOLETE

WAS DWG 80992

THIS DRAWING IS A CONTROLLED DOCUMENT.		DWN	BSV	06JUL04	Tyco Electronics Corporation Harrisburg, Pa 17105-3608		
DIMENSIONS: mm [INCHES]		CHK	-	-	NAME: KNOB PH SERIES		
TOLERANCES UNLESS OTHERWISE SPECIFIED:		APVD	M ZITTO	-	PRODUCT SPEC		
0 PLC ± -		APPLICATION SPEC	-	-	SIZE	CAGE CODE	DRAWING NO
1 PLC ± -		FINISH	-	-	A2	00779	C=1437624-1
2 PLC ± -		MATERIAL	PHENOLIC	-	SCALE	SHEET	OF
3 PLC ± .012		WEIGHT	-	-	1:1	1	1
4 PLC ± -		CUSTOMER DRAWING	-	-	REV	A2	-
ANGLES ± 3°							